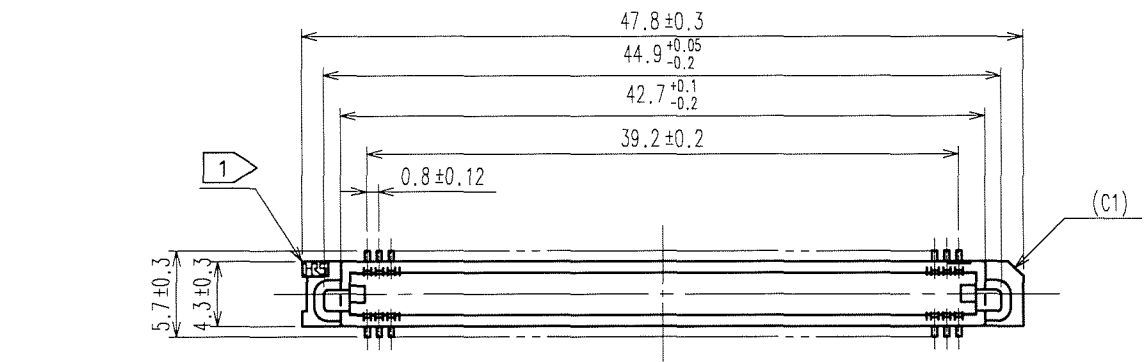
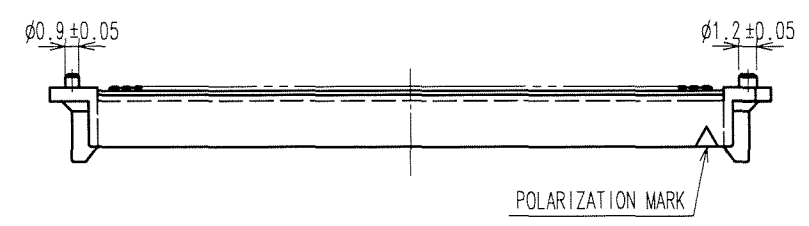
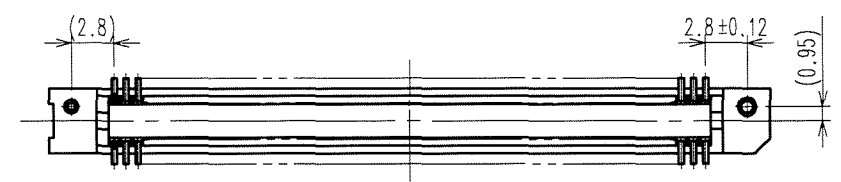
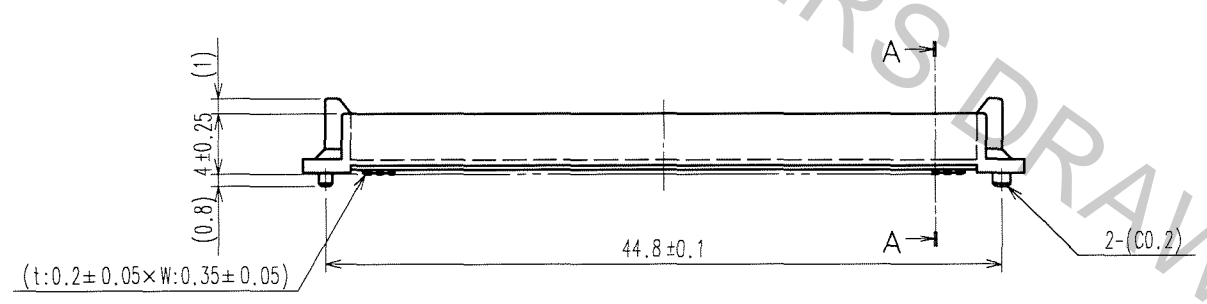
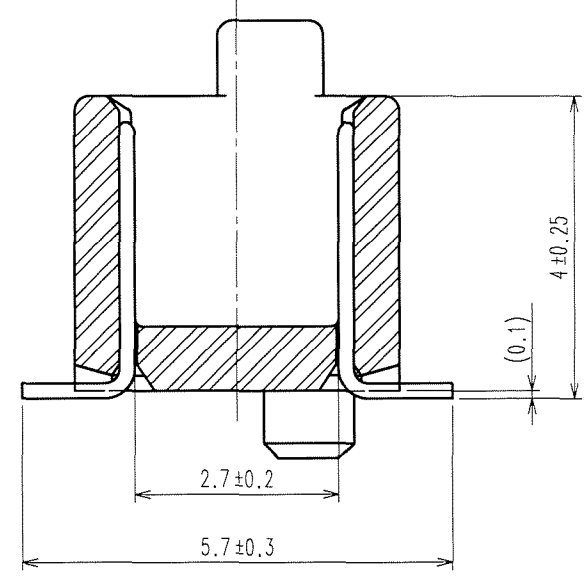


May.1.2017 Copyright 2017 HIROSE ELECTRIC CO., LTD. All Rights Reserved.

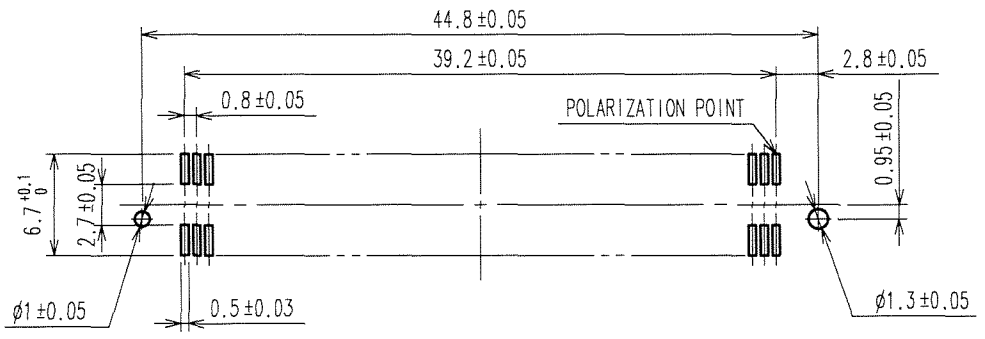
COUNT	DESCRIPTION OF REVISIONS	BY	CHKD	DATE	COUNT	DESCRIPTION OF REVISIONS	BY	CHKD	DATE
△				..	△				..
△				..	△				..
△				..	△				..



A-A (10:1)



RECOMMENDED LAND PATTERN DIMENSION OF PCB(MOUNTING SIDE)



NOTE

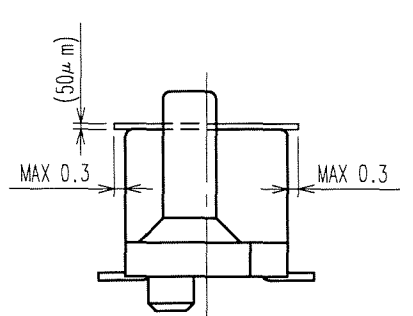
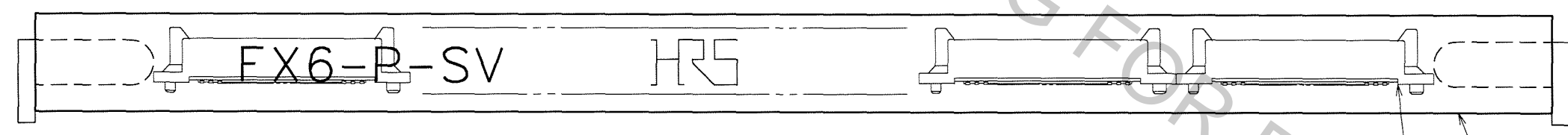
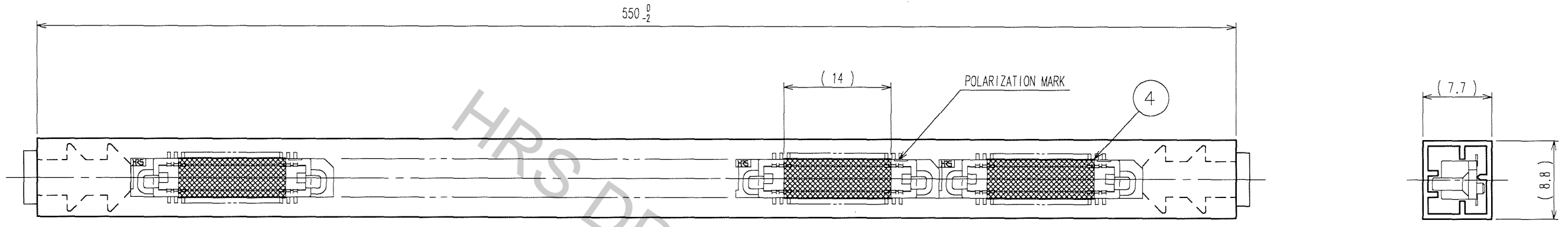
- 1 HRS MARK SHALL BE OPTIONAL.
- 2 LEAD CO-PLANARITY SHALL BE 0.1mm MAX.
- 3 THE DIMENSIONS IN PARENTHESES ARE FOR REFERENCE.
- 4 TUBE PACKAGING SHALL BE APPLIED FOR THIS PRODUCT. SEE NEXT PAGE FOR DETAILS.
- 5 THIS PRODUCT HAS TAPE FOR VACUUM PICKUP. SEE NEXT PAGE FOR DETAIL OF STICKING POSITION, ETC.
- 6 FOR MODIFICATION, ETC, PREVENTIVE HOLE FOR SINK MARK MAY BE ADDED ACCORDING TO CIRCUMSTANCES.

TO
PCK

1	PPS	LIGHT BROWN (UL94V-0)	2	PHOSPHOR BRONZE	CONTACT AREA:GOLD 0.1μm min. LEAD AREA:GOLD FLASH UNDER PLATING:NICKEL 1μm min.
NO.	MATERIAL	FINISH, REMARKS	NO.	MATERIAL	FINISH, REMARKS
CODE NO. (OLD)			DRAWN	DESIGNED	CHECKED
			K.NAKAMURA	K.NAKAMURA	K.Ogawa
			07.05.15	07.05.15	'07.05.15
			APPROVED	RELEASED	
			H. Okawa		
			07.05.15		
DRAWING NO.			PART NO.		
EDC3-084974-21			FX6-100P-0.8SV(91)		
SCALE			CODE NO.		
2 : 1			CL576-0008-2-91		
UNITS			1/2		
mm			HRS HIROSE ELECTRIC CO., LTD		

May.1.2017 Copyright 2017 HIROSE ELECTRIC CO., LTD. All Rights Reserved.

COUNT	DESCRIPTION OF REVISIONS	BY	CHKD	DATE	COUNT	DESCRIPTION OF REVISIONS	BY	CHKD	DATE
△				..	△				..
△				..	△				..
△				..	△				..



DETAIL FOR TAPE FOR VACUUM PICK-UP (5 : 1)

- NOTE 1 THE DIMENSIONS IN PARENTHESES ARE FOR REFERENCE.
 2 ONE TUBE CONSISTS OF 11 PIECES.
 3 REMOVE THE VACUUM PICK-UP TAPE AFTER MOUNTING THE CONNECTOR.

2	PVC	(STOPPER)	4	POLYIMIDE	(TAPE FOR VACUUM PICK-UP)
1	PVC	(TUBE)	3		(CONNECTOR)
NO.	MATERIAL	FINISH, REMARKS	NO.	MATERIAL	FINISH, REMARKS

CODE NO. (OLD) CL	DRAWN K.NAKAMURA 07.05.15	DESIGNED K.NAKAMURA 07.05.15	CHECKED K. Ozawa 07.05.15	APPROVED H. Okawa 07.05.15	RELEASED
----------------------	---------------------------------	------------------------------------	---------------------------------	----------------------------------	----------

SCALE 2: 1	DRAWING NO. EDC3-084974-21	PART NO. FX6-100P-0.8SV(91)
UNITS mm	HRS HIROSE ELECTRIC CO., LTD	CODE NO. CL576-0008-2-91

TO