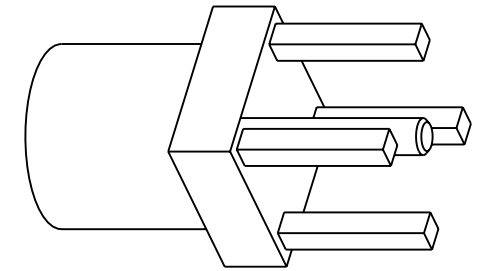
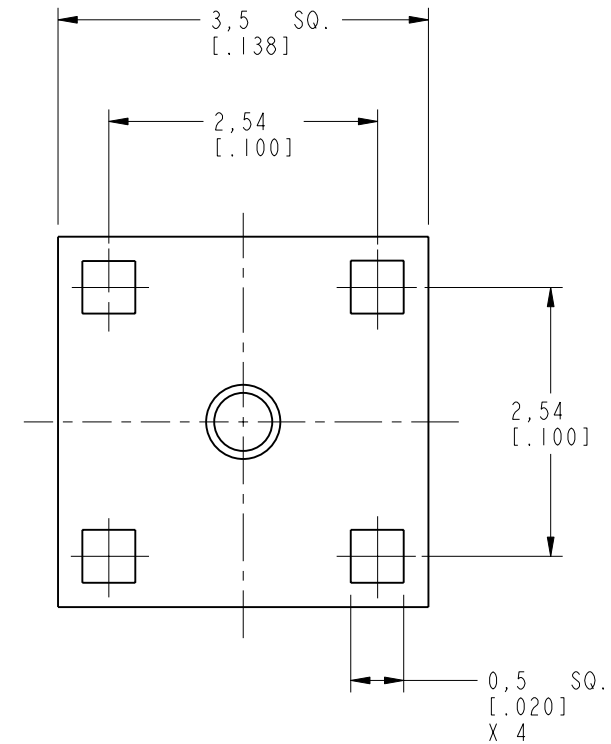
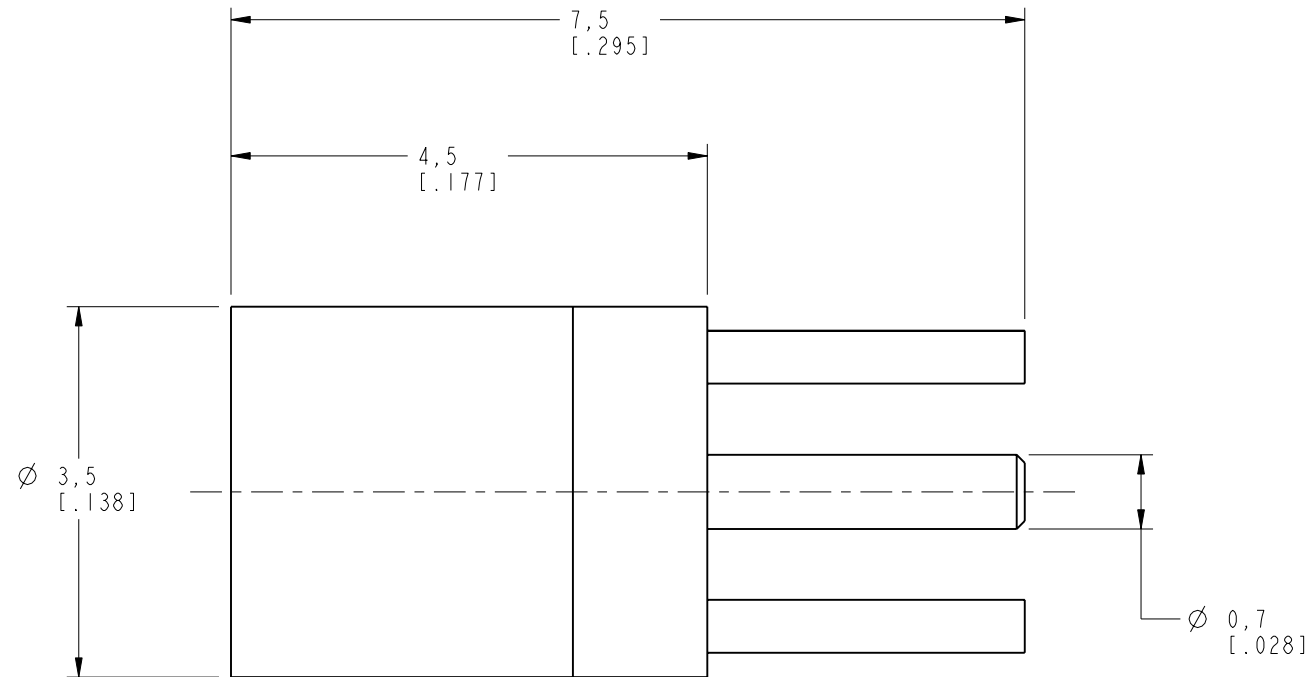


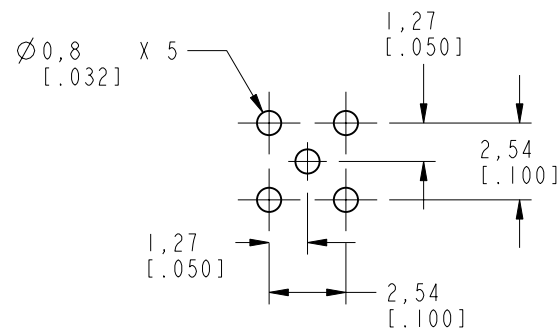
NOTES:

1. MATERIALS OF CONSTRUCTION:
 BODY = BRASS, ASTM-B16 H02, GOLD PLATED (.000003 MIN)
 CONTACT PIN = BeCu, GOLD PLATED (.000030 MIN)
 INSULATOR = TEFLON, MIL-P-19468

908-22106		REVISIONS			
DRAWING NO.	REV	DESCRIPTION	DATE	ECO	APPR
THIRD ANGLE PROJ.	A	RELEASE TO MFG.	12/13/01	43911	CPM



SCALE 7.000



RECOMMENDED PCB
 MOUNTING DIMENSIONS
 SCALE 4.000

CUSTOMER OUTLINE DRAWING
 ALL OTHER SHEETS ARE FOR INTERNAL USE ONLY

UNLESS OTHERWISE SPECIFIED, DIMENSIONS ARE IN INCHES AND TOLERANCES ARE: 0.5 - 6mm ±0.2mm 6 - 30mm ±0.4mm 30 - 120mm ±0.6mm	MATERIAL	DRAWN C. McGRATH	DATE 05-Dec-01	TITLE MMCX P.C. MOUNT JACK		Amphenol Amphenol Corporation Communication and Network Products Division Danbury, CT U.S.A. 06810	
	REFERENCE GEN# 908-22106_ASSY	ENGINEER O. BARTHELME	DATE 05-Dec-01				
NOTICE - These drawings, specifications, or other data (1) are, and remain the property of Amphenol Corp. (2) must be returned upon request; and (3) are confidential and not to be disclosed to any person other than those to whom they are given by Amphenol Corp. The furnishing of these drawings, specifications, or other data by Amphenol Corp., or to any other person to anyone for any purpose is not to be regarded by implication or otherwise in any manner licensing, granting rights or permitting such holder or any other person to manufacture, use or sell any product, process or design, patented or otherwise, that may in any way be related to or disclosed by said drawings, specifications, or other data.		APPROVED O. BARTHELME	DATE 13-Dec-01	CODE ID 74868	DWG SIZE B	DRAWING NO. 908-22106	SCALE: 14.0:1 SHEET 2 OF 2
		CAD FILE I:\MMCX\908-22106					
							REV A