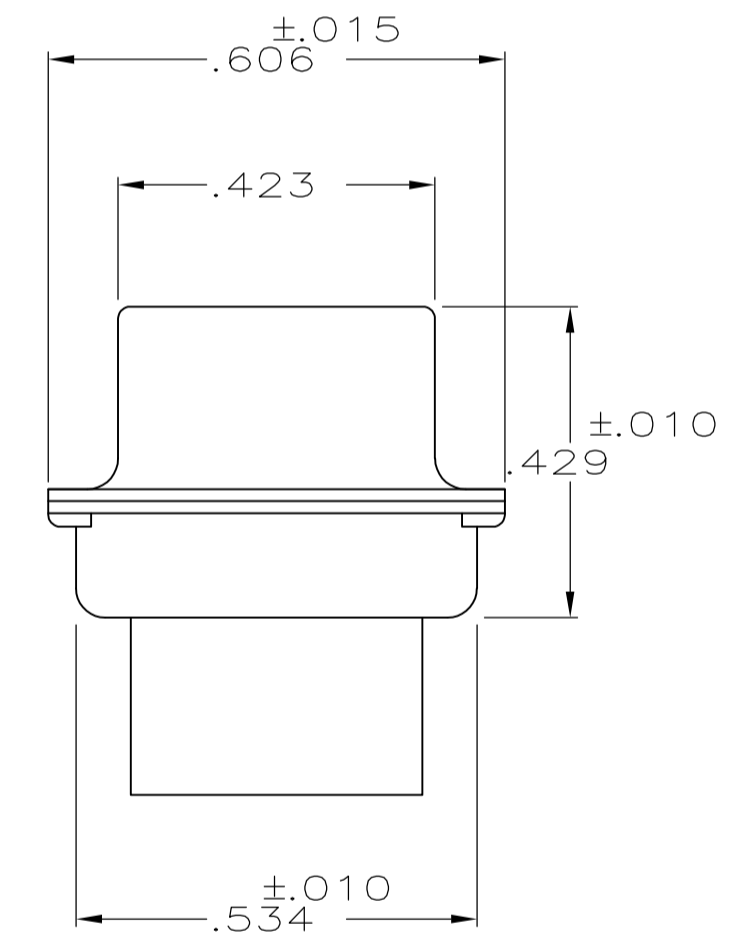
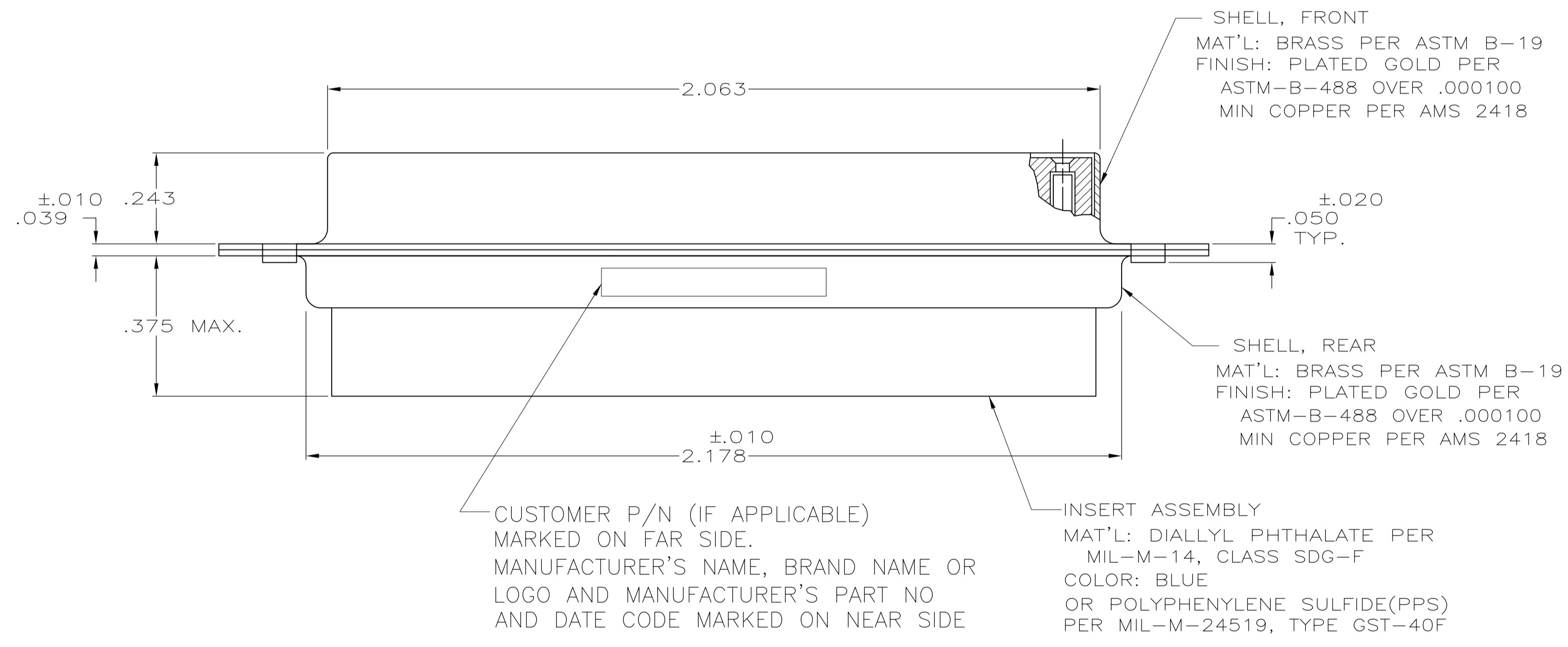
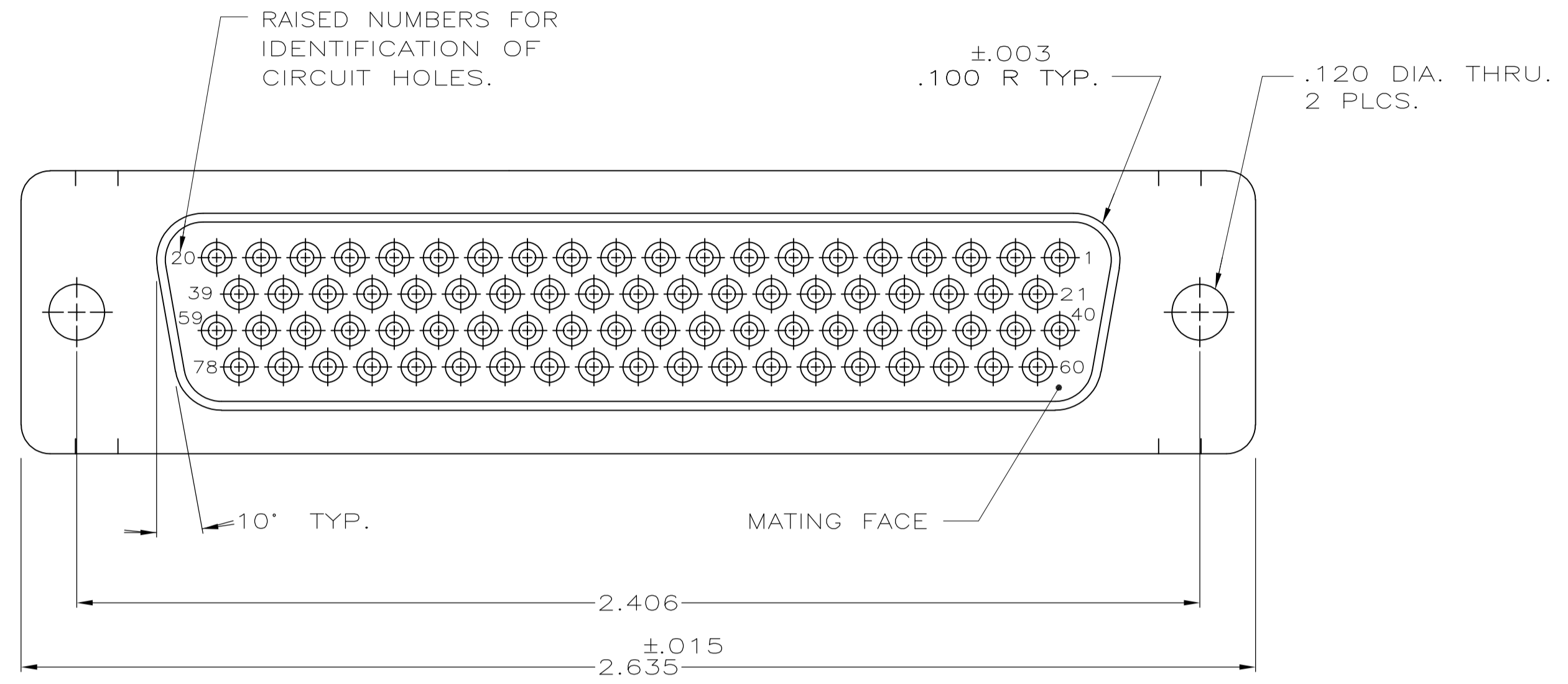


1. THIS RECEPTACLE WILL MATE WITH ANY SIZE 5,78 POSN. PLUG IN AMPLIMITE SERIES.
2. CONNECTOR SUPPLIED WITHOUT CONTACTS; SHOWN FOR ILLUSTRATION ONLY.
3. BE-CU RETENTION CLIPS ARE INCLUDED IN INSERTS AND INSTALLED WITH TINES POINTING TOWARDS MATING FACE.
4. OVERALL DIMENSIONS DO NOT INCLUDE RAISED CAVITY IDENTIFICATION
5. MARKING FAR SIDE REFERS TO WIDE SIDE OF KEYSTONE. NEAR SIDE REFERS TO NARROW SIDE OF KEYSTONE.
6. 100% INSPECTION REQUIRED PER BOEING 1B01:  
 A. VISUAL  
 B. DWV  
 C. IR
7. CUSTOMER REQUIRES SINGLE LOT DATE CODE.



REMARKS	1B01-005RHW	1-211647-1
	1B01-005	211647-1
	CUSTOMER PART NUMBER	PART NO.

THIS DRAWING IS A CONTROLLED DOCUMENT.		DWN D. ERDMAN 16OCT2008	Tyco Electronics Corporation Harrisburg, PA 17105-3608	
DIMENSIONS: INCHES		CHK B. YOHN 16OCT2008	NAME J. BROCHARD 6-29-84	
TOLERANCES UNLESS OTHERWISE SPECIFIED:		AP'D J. BROCHARD	PRODUCT SPEC	
0 PLC ± -		APPLICATION SPEC		
1 PLC ± -		RESTRICTED TO		
2 PLC ± -		SIZE CAGE CODE DRAWING NO		
3 PLC ± .005		A1 00779 C=211647		
4 PLC ± -		CUSTOMER DRAWING		
ANGLES ± 0'30"		SCALE NTS SHEET 1 OF 1 REV D		
MATERIAL SEE CALLOUT		FINISH SEE CALLOUT		