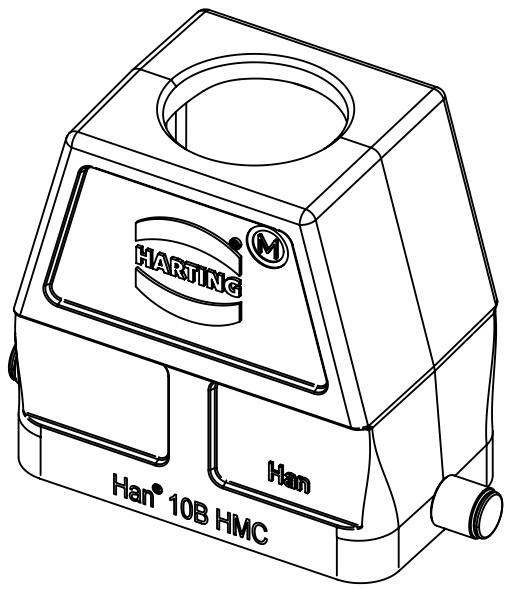
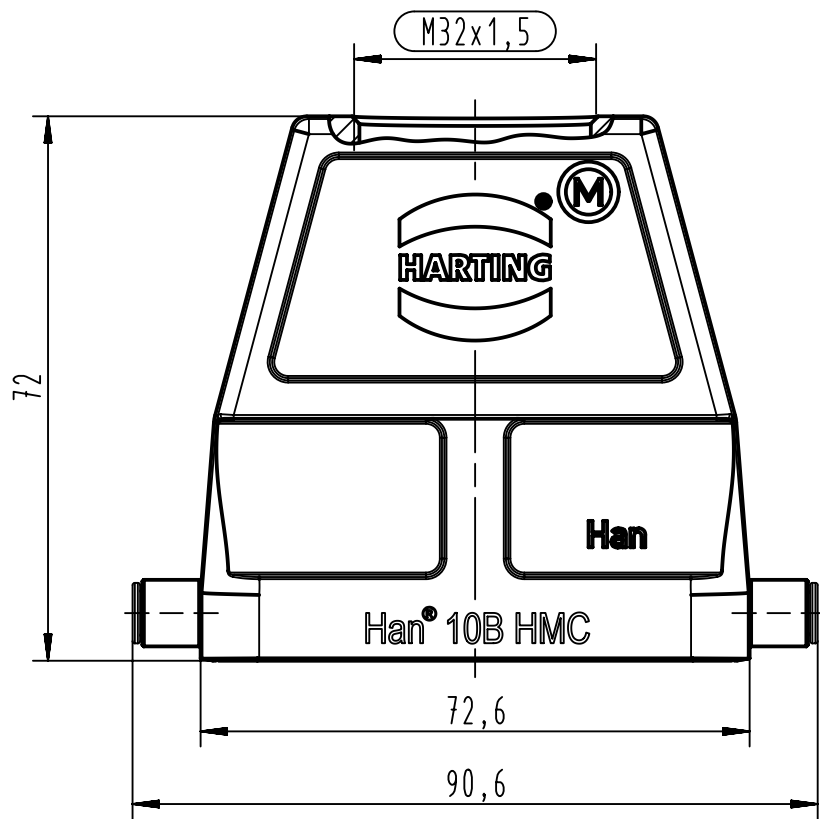



1 2 3 4 5 6

A  
B  
C  
D



	All rights reserved		Created by SCHULZI		Inspected by BERGHORN		Standardisation SCHMIDTM		Date 2013-01-17		State Final Release	
	Department EL PD - DE		Title Han 10B-HMC-gg-R-M32		Doc-Key / ECM-Nr. 100521625/UGD/002/A		Type TB		Number 19 30 210 0447		Rev. A	
HARTING Electric GmbH & Co. KG D-32339 Espelkamp											Page 1/1	