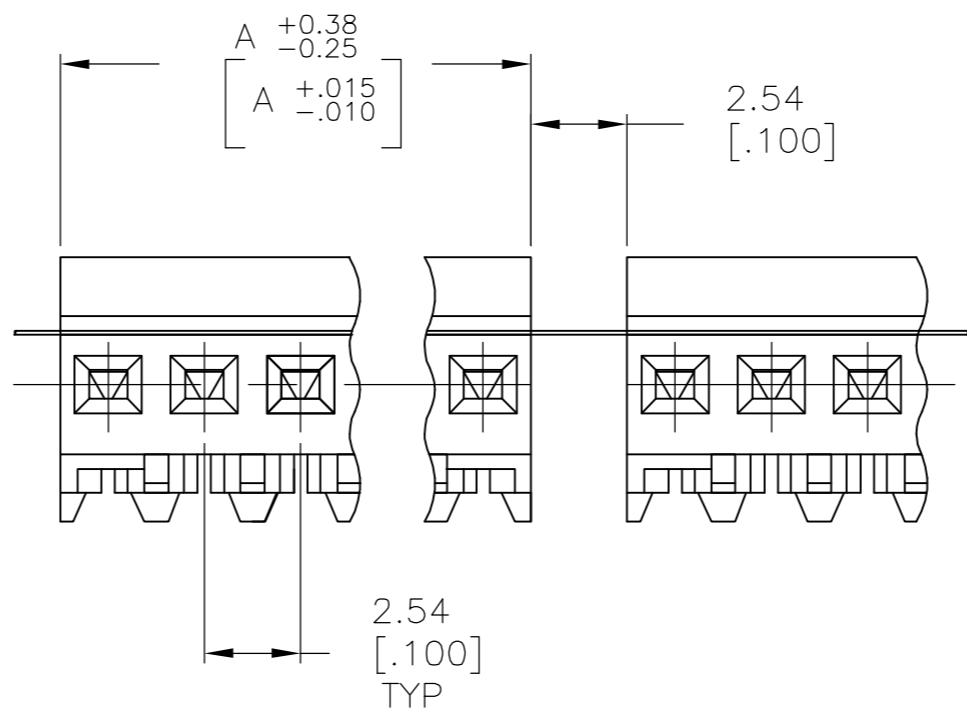
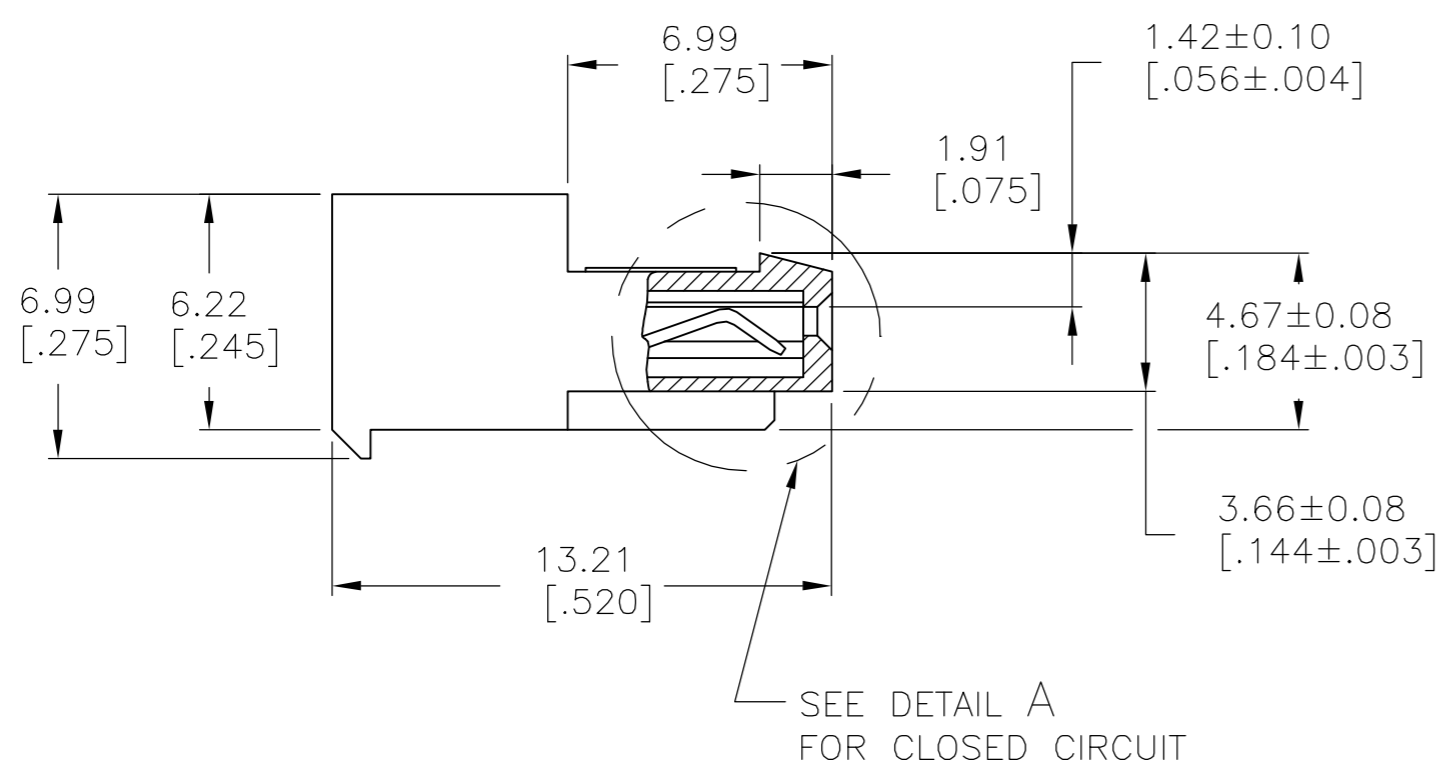
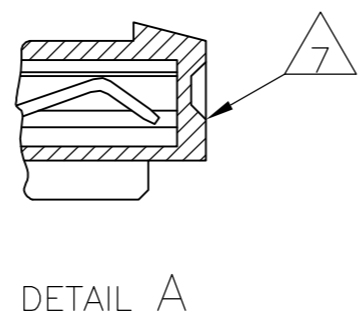
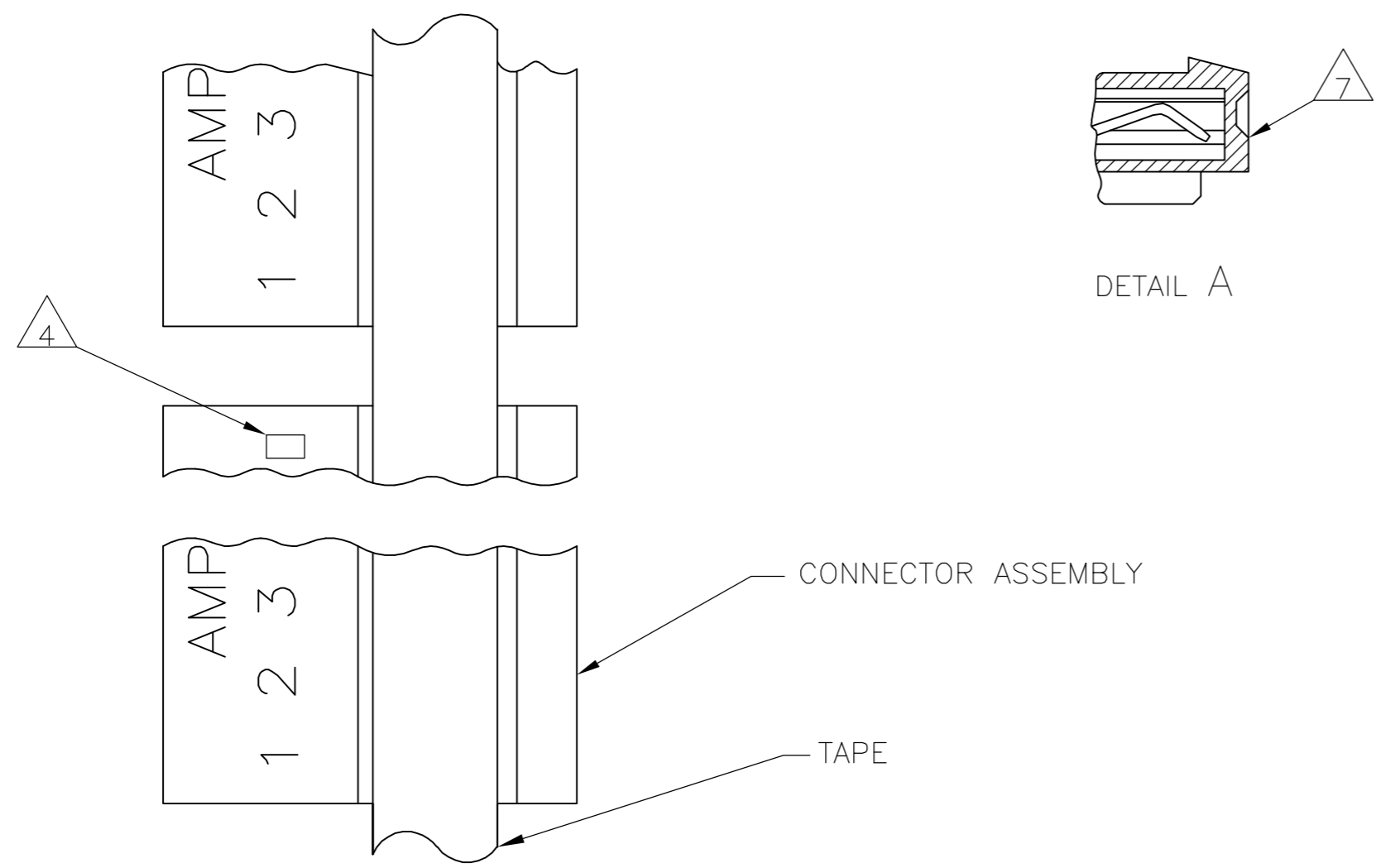


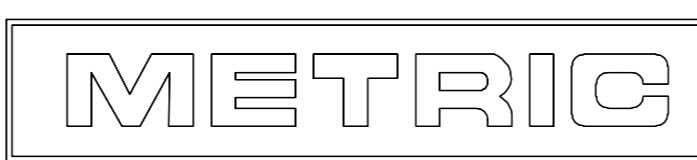
THIS DRAWING IS UNPUBLISHED. RELEASED FOR PUBLICATION  
 © COPYRIGHT BY TYCO ELECTRONICS CORPORATION. ALL RIGHTS RESERVED.

Loc		DIST		REVISIONS			
P	LTR	DESCRIPTION		DATE	DWN	APVD	
	D	REVISED PER ECO-07-003755		28FEB07	KW	DB	

- 1 MATERIAL: CONNECTOR - NYLON UL94V-2 (YELLOW).  
 CONTACTS - 0.30[.012] THICK COPPER ALLOY  
 MATTE WHISKER MITIGATED TIN  
 0.00203[.000080] MIN THICKNESS  
 OVER NICKEL UNDERPLATE OR BRIGHT  
 TIN-LEAD 93/7 0.00203[.000080] MIN  
 THICKNESS. SEE FINISH COLUMN FOR  
 PLATING TYPE.
- 2. CONTACTS ACCEPT 28 AWG WIRE WITH 1.52[.060] MAX  
 INSULATION DIAMETER.
- 3. CONTACTS MUST ACCEPT 0.64±0.03[.025±.001]  
 POST AND REMAIN LOCKED IN POSITION.
- 4 IDENTIFICATION NUMBER FOR LAST CIRCUIT MAY  
 NOT APPEAR ON ALL ASSEMBLIES.
- 5. DIMENSIONS IN BRACKETS ARE IN INCHES.
- 6. HOUSING FEATURES ARE: CLOSED END WITH LOCKING  
 RAMP.
- 7 DETAIL A SHOWS CIRCUIT NO.3 & 5 MOLDED CLOSED.



FINISH	DIM A	NO OF CIRCUITS	PART NO
TIN	22.86 [.900]	9	3-644483-9
TIN-LEAD	22.86 [.900]	9	644483-9



THIS DRAWING IS A CONTROLLED DOCUMENT.

DWN B. LEWIS 22 APR 91	Tyco Electronics Corporation Harrisburg, Pa 17105-3608			
CHK R. SWING 22 APR 91				
APVD G. MILLER 22 APR 91				
NAME MTA-100 CONNECTOR ASSEMBLY, 28 AWG, NO.3&5 CIRCUIT CLOSED TAPE MOUNTED, SPECIAL				
PRODUCT SPEC 108-1050	SIZE A2	CAGE CODE 00779	DRAWING NO C=644483	RESTRICTED TO -
APPLICATION SPEC 114-1019	WEIGHT -	SCALE 5:1	SHEET 1 OF 1	REV D
MATERIAL 1	FINISH 1	CUSTOMER DRAWING		