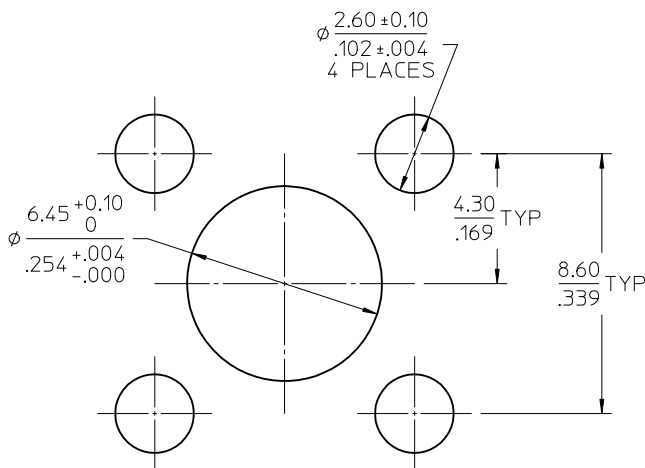
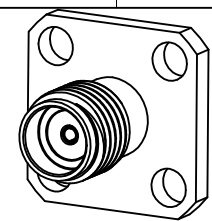


MATERIALS AND FINISHES

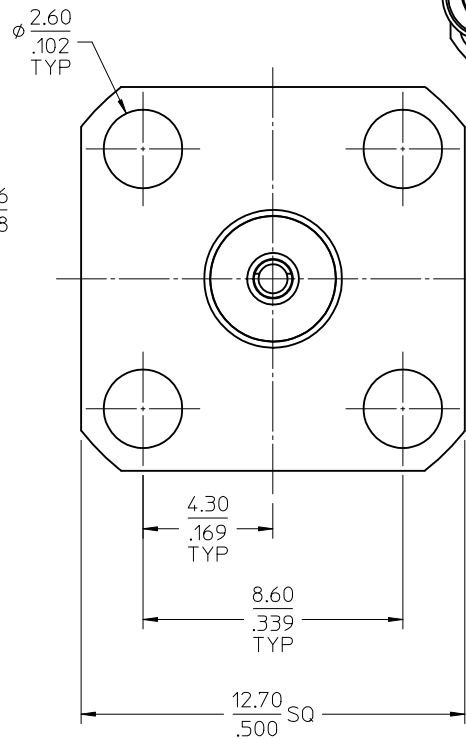
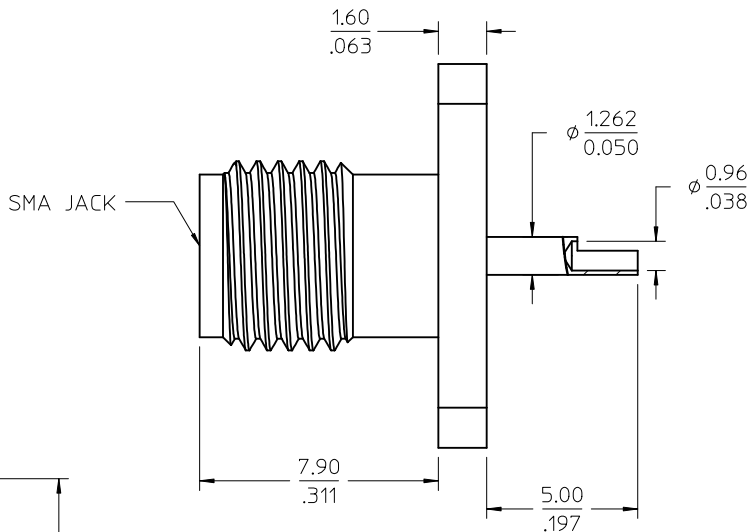
BODY BRASS
PLATED GOLD

CENTER CONTACT BERYLLIUM COPPER
PLATED GOLD

INSULATOR TEFLON



RECOMMENDED PANEL CUTOUT
MAX PANEL THICKNESS: 2.2mm (.087)



LABEL FORMAT FOR
73391-0042

PART NUMBER: 73391-0040
ORDER NUMBER: 73391-0042
MOLEX
DATE: YYWW

PS-89675-3460	ELECTRICAL/MECHANICAL
MIL-STD-348A, FIG. 310.2	INTERFACE
SPECIFICATION	DESCRIPTION

73391-0042	ONE PIECE PER BAG
73391-0041	SMALL TRAY (20 PIECES)
73391-0040	STANDARD TRAY
PART NO.	PACKAGING

CHG: UPDATE LABEL FOR -0042 EC NO: URF2012-0380 DRWN: BOMALLEY 2012/01/04 CHKD: AZR 2012/01/04 APPR: JWIENER 2012/01/04	QUALITY SYMBOLS ▽=0 ▽=0	DESCRIPTION REV	B3

GENERAL TOLERANCES (UNLESS SPECIFIED) 4 PLACES ± --- ± --- 3 PLACES ± --- ± --- 2 PLACES ± --- ± --- 1 PLACE ± --- ± --- ANGULAR ± 2°	DIMENSION STYLE MM/IN DRAWN BY DATE IRIS 1997/05/27 CHECKED BY DATE SAM 1997/05/27 APPROVED BY DATE JWIENER 2011/04/20	SCALE DESIGN UNITS METRIC THIRD ANGLE PROJECTION	TITLE SMA JACK RECEPTACLE 4 HOLE FLANGE 50 OHMS SMA-JR EWR-N/A MOLEX INCORPORATED DOCUMENT NO. SD-73391-004 SHEET NO. 1 OF 1
DRAFT WHERE APPLICABLE MUST REMAIN WITHIN DIMENSIONS	SEE TABLE THIS DRAWING CONTAINS INFORMATION THAT IS PROPRIETARY TO MOLEX INCORPORATED AND SHOULD NOT BE USED WITHOUT WRITTEN PERMISSION		