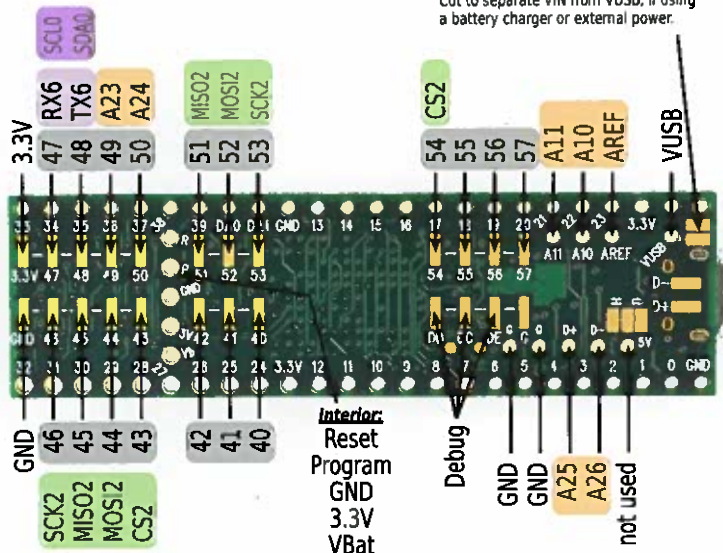


Teensy[®] 3.5 Back Side

Additional pins and features available on the back side

Cut to separate VIN from VUSB, if using a battery charger or external power.



Teensy 3.5 pins with digital I/O are 5 volt tolerant. Other pins are **not** 5V tolerant. Do not apply more than 3.3V to A10, A11, A21, A22, A25, A26, AREF, Program or Reset.

3V coin cell
for RTC

For solutions to the most common issues
and technical support, please visit:

www.pjrc.com/help

Teensy 3.5 System Requirements:
PC computer with Windows 7, 8, 10 or later
or Ubuntu Linux 12.04 or later
or Macintosh OS-X 10.7 or later

