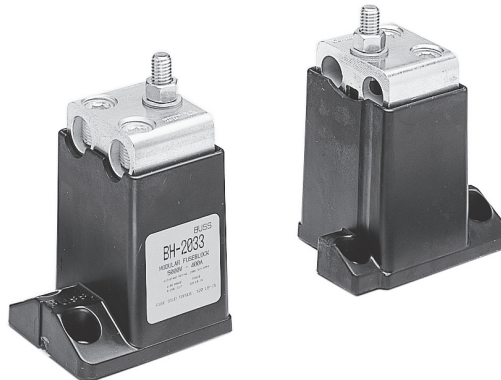


# BH-2 modular fuse blocks, 700 V, 400 A

RoHS



## Catalog symbol:

- BH-2\_

## Description:

Bussmann™ series modular fuse blocks for bolt-on high speed fuses. See mounting dimensions table for applicable Bussmann series fuse catalog numbers.

## Specifications:

### Ratings

- Volts - 700 V
- Amps - 400 A
- Withstand rating - 200 kA RMS Sym. or the applied fuse interrupting rating, whichever is less

## Agency information

- UL® Recognized, Guide IZLT2, File E14853 up to 700 V
- CSA® Certified, Class 6225-01, File 47235 up to 700 V
- CE
- RoHS compliant

## Materials

- Base - light-weight, high temperature thermoplastic
- Mounting studs - plated steel
- Washer - spring steel
- Nuts - plated steel
- Connector: tin-plated aluminum

## Conductors — AWG Cu

- Connector accepts 6 - 250 kcmil

**EATON**

Powering Business Worldwide

**Catalog number build-a-code**

**BH - 2 X X X**

**Block family**

**Stud size**

- 1: 1/4 - 20
- 2: 5/16 - 18
- 3: 3/8 - 16

**Agency information\***

**Wire connector (AWG Cu)\***

- 0: No agency information
- 1: UL Recognized and CSA Certified

- 0: No connector
- 3: 2 hole for 6 - 250 kcmil

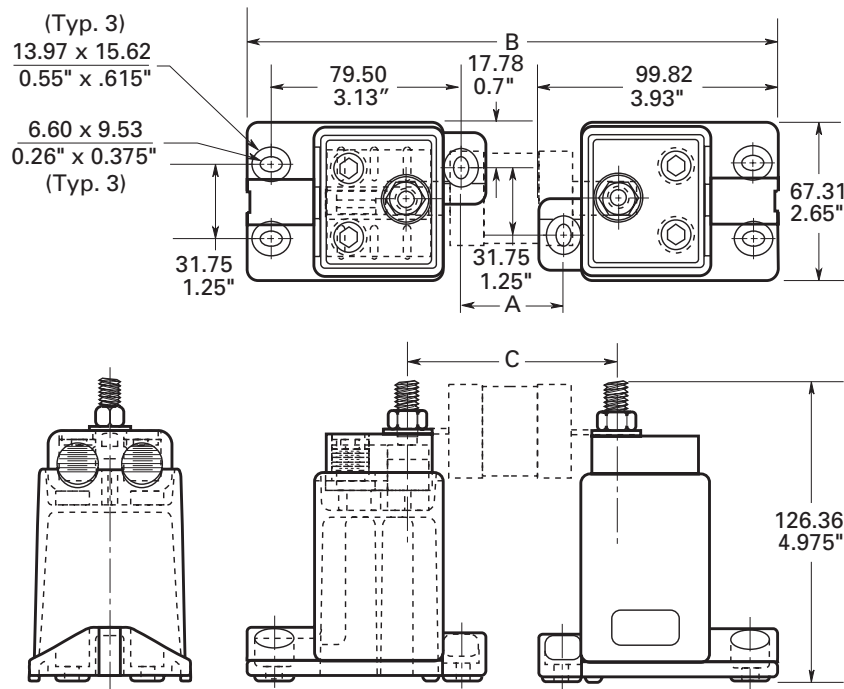
**Notes:**

1. Always check applicable end use standards for required spacing between blocks, fuses or other hardware.
2. For applications above 700 V, consult appropriate electrical standard for proper creepage distances, clearance distances and insulator voltage withstand ratings.

\* Applicable only to BH-200\_ configuration — no agency information, no connector.

**Dimensions: — mm/in**

See Table 1 for A, B and C dimensions per fuse catalog symbol/ampacity and block catalog number from build-a-code.



**Table 1. Mounting dimensions - mm (in)**

Bussmann series fuse catalog symbol (amp range)	Fuse block cat. no.	Stud dia. (in)	Fuse volts	Dimensions — mm (in)		
				A	B	C
170E7183	BH-2033	3/8	5000	450.09 (17.720)	629.41 (24.780)	495.05 (19.490)
170E7184	BH-2033	3/8	5000	450.09 (17.720)	629.41 (24.780)	495.05 (19.490)
170E7185	BH-2033	3/8	5000	450.09 (17.720)	629.41 (24.780)	495.05 (19.490)
170E7187	BH-2033	3/8	5000	450.09 (17.720)	629.41 (24.780)	495.05 (19.490)
170E7188	BH-2033	3/8	5000	450.09 (17.720)	629.41 (24.780)	495.05 (19.490)
170E7189	BH-2033	3/8	5000	450.09 (17.720)	629.41 (24.780)	495.05 (19.490)
170E8129	BH-2033	3/8	3300	163.07 (6.420)	342.39 (13.480)	208.03 (8.190)
170E9629	BH-2033	3/8	4000	299.97 (11.810)	479.30 (18.870)	344.93 (13.580)
170E9630	BH-2033	3/8	4000	299.97 (11.810)	479.30 (18.870)	344.93 (13.580)

The only controlled copy of this data sheet is the electronic read-only version located on the Eaton network drive. All other copies of this document are by definition uncontrolled. This bulletin is intended to clearly present comprehensive product data and provide technical information that will help the end user with design applications. Eaton reserves the right, without notice, to change design or construction of any products and to discontinue or limit distribution of any products. Eaton also reserves the right to change or update, without notice, any technical information contained in this bulletin. Once a product has been selected, it should be tested by the user in all possible applications.

**Eaton**  
1000 Eaton Boulevard  
Cleveland, OH 44122  
Eaton.com

Bussmann Division  
114 Old State Road  
Ellisville, MO 63021  
United States  
Eaton.com/bussmannseries

© 2016 Eaton  
All Rights Reserved  
Printed in USA  
Publication No. 1201 — N02099  
December 2016

Eaton and Bussmann are valuable trademarks of Eaton in the U.S. and other countries. You are not permitted to use the Eaton trademarks without prior written consent of Eaton.

CSA is a registered trademark of the Canadian Standards Group.  
UL is a registered trademark of the Underwriters Laboratories, Inc.

For Eaton's Bussmann series product information, call **1-855-287-7626** or visit: **Eaton.com/bussmannseries**



Follow us on social media to get the latest product and support information.

