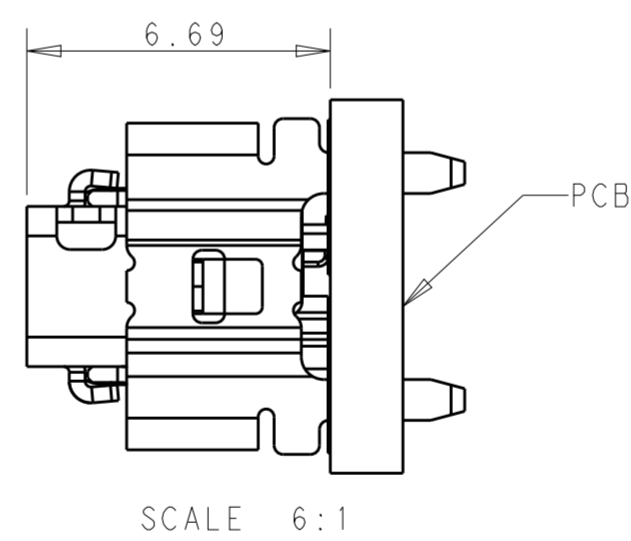
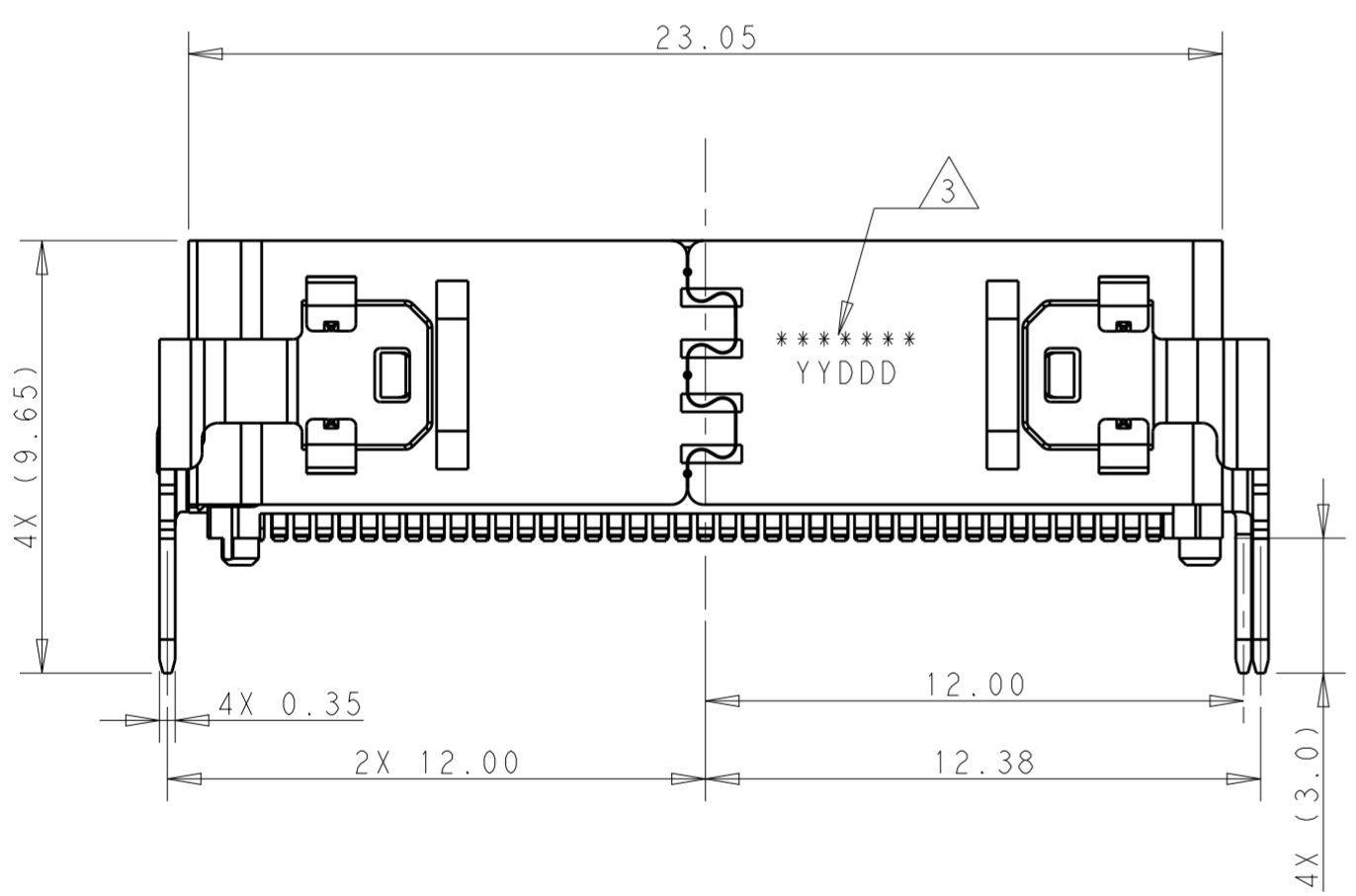
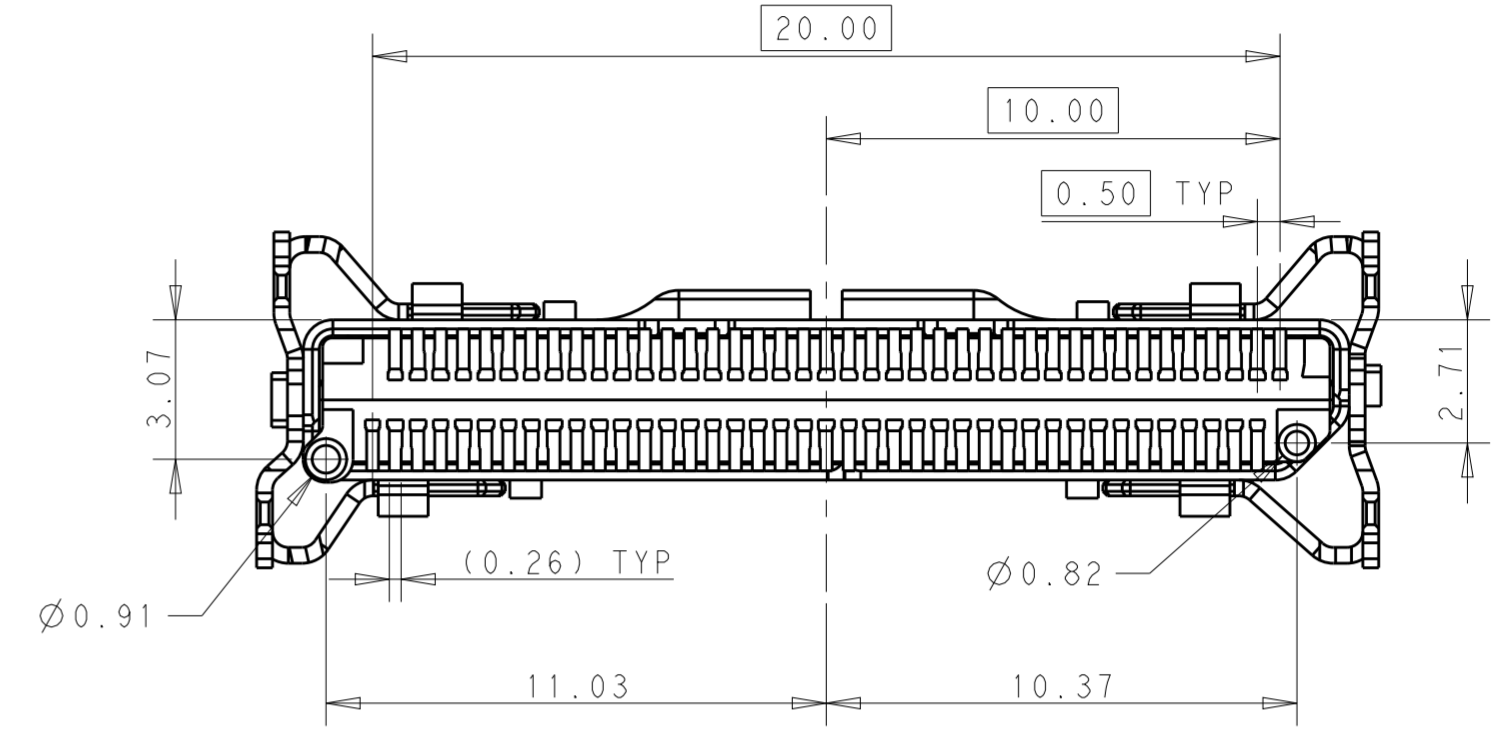
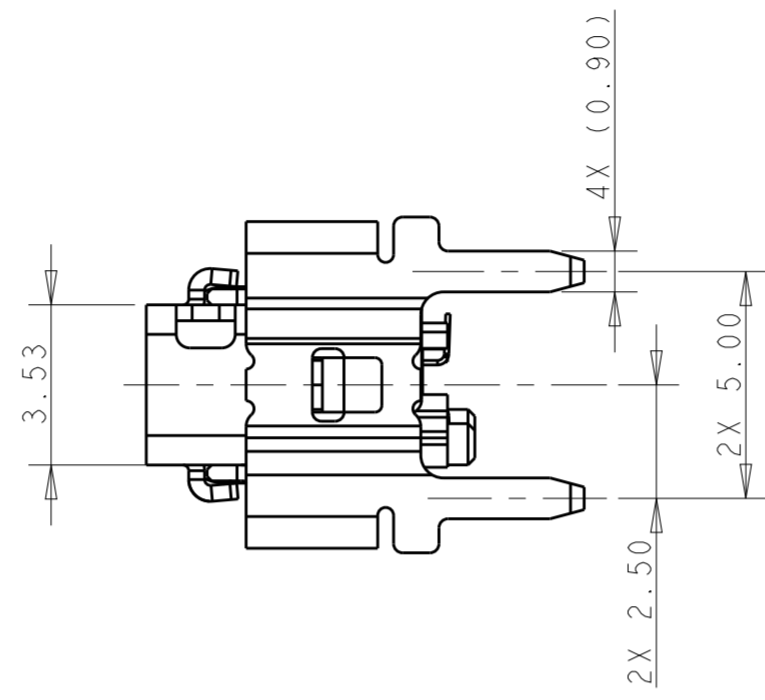
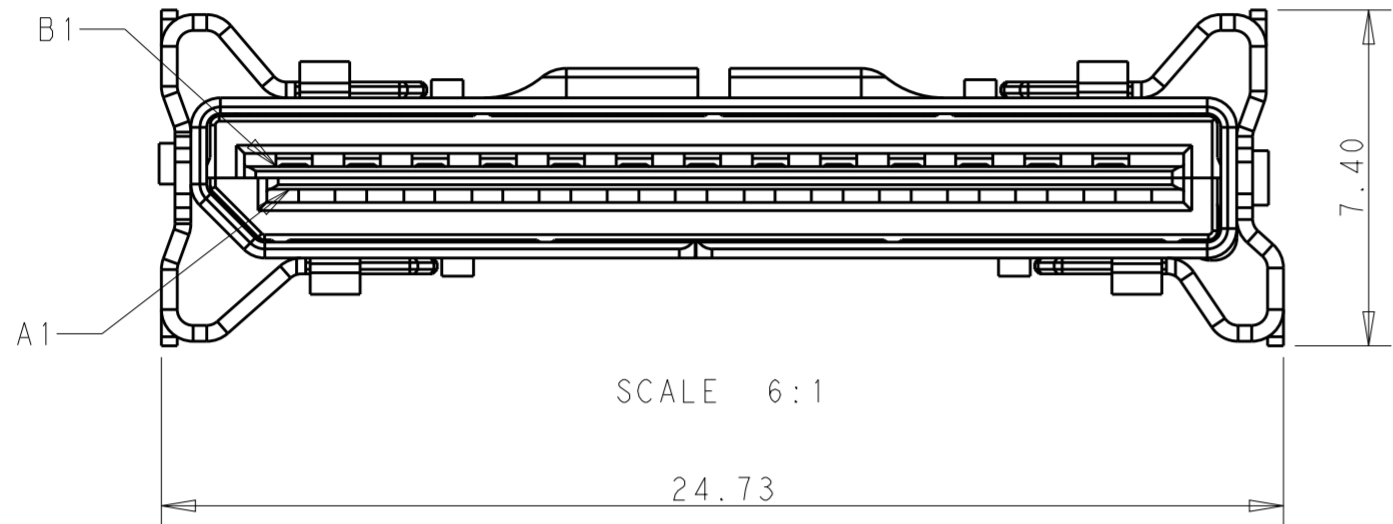
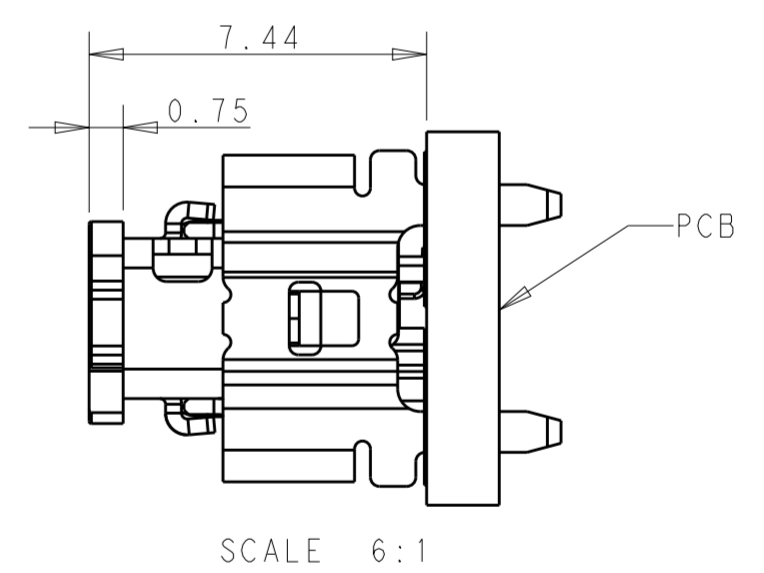


THIS DRAWING IS UNPUBLISHED. RELEASED FOR PUBLICATION 20
 © COPYRIGHT 20 BY - ALL RIGHTS RESERVED.

REVISIONS				
P	LTR	DESCRIPTION	DATE	APVD
A		INITIAL RELEASE	14NOV2017	AJ SH



NO CAP



WITH CAP

NOTES:

- MATERIALS:
 HOUSING - GLASS FILLED THERMOPLASTIC, 94V-0
 CONTACT - HIGH PERFORMANCE COPPER ALLOY
 SHIELD - STAINLESS STEEL
- FINISH:
 CONTACTS - 0.76um MIN. GOLD ON MATING SIDE
 2.03um MIN. TIN ON SOLDER TAILS
 1.27um MIN. NICKEL UNDERPLATE OVERALL

SHIELD - MATTE TIN OVER 1.27um MIN. NICKEL
 3 PART NUMBER AND DATE CODE MARKED IN APPROXIMATE AREA SHOWN

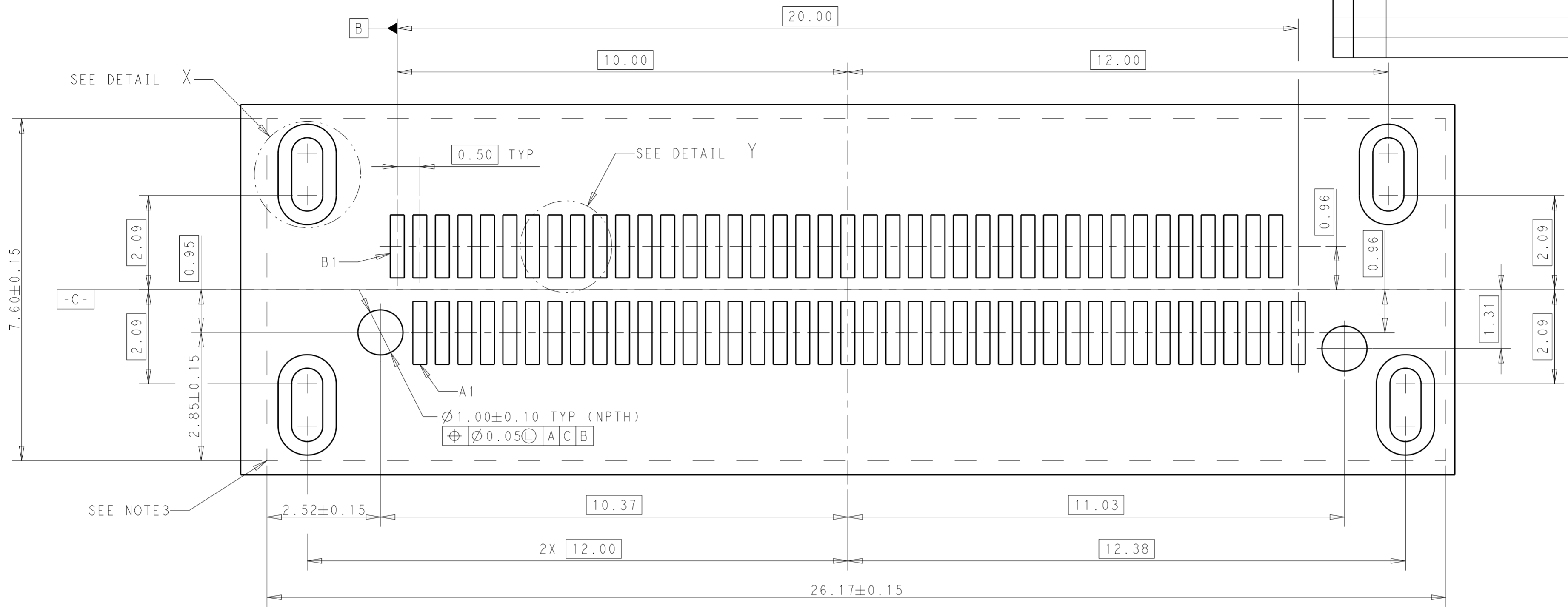
4. SOLDER TAIL COPLANARITY IS 0.10 MAX.

2312148-1
 PART NUMBER

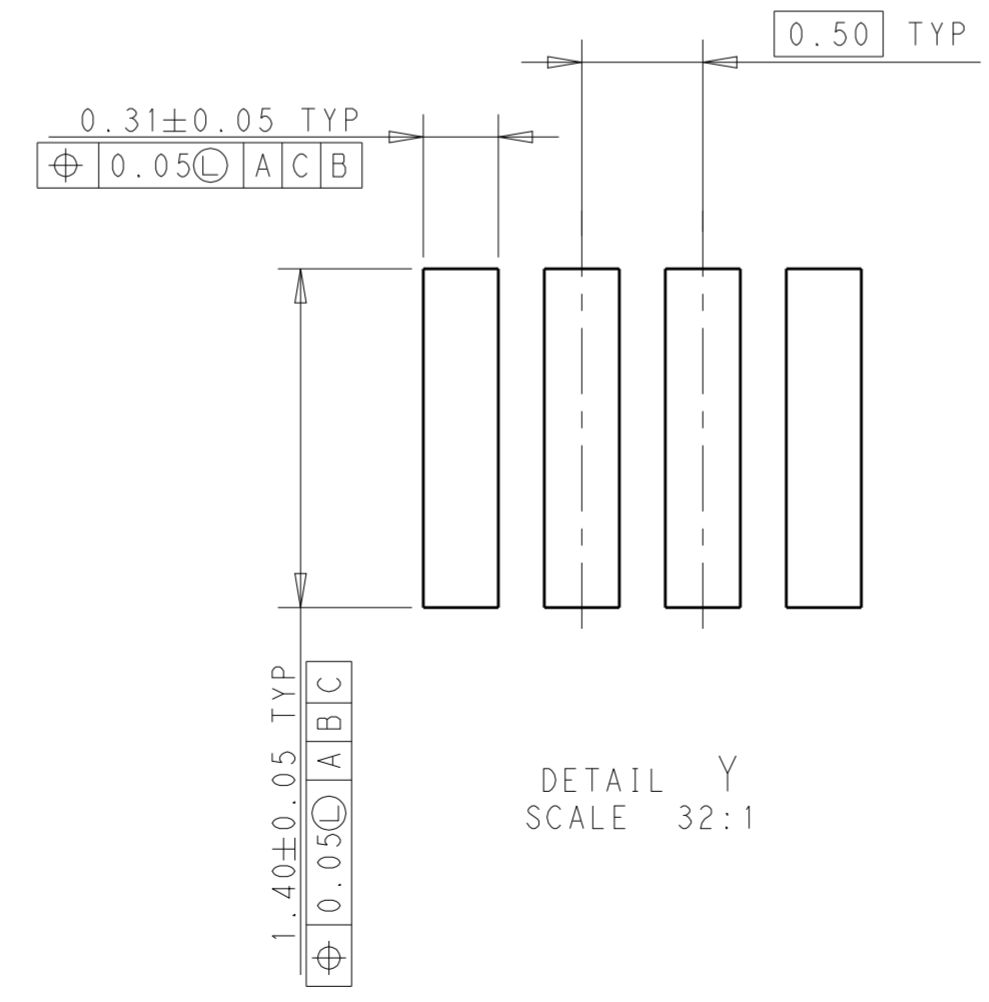
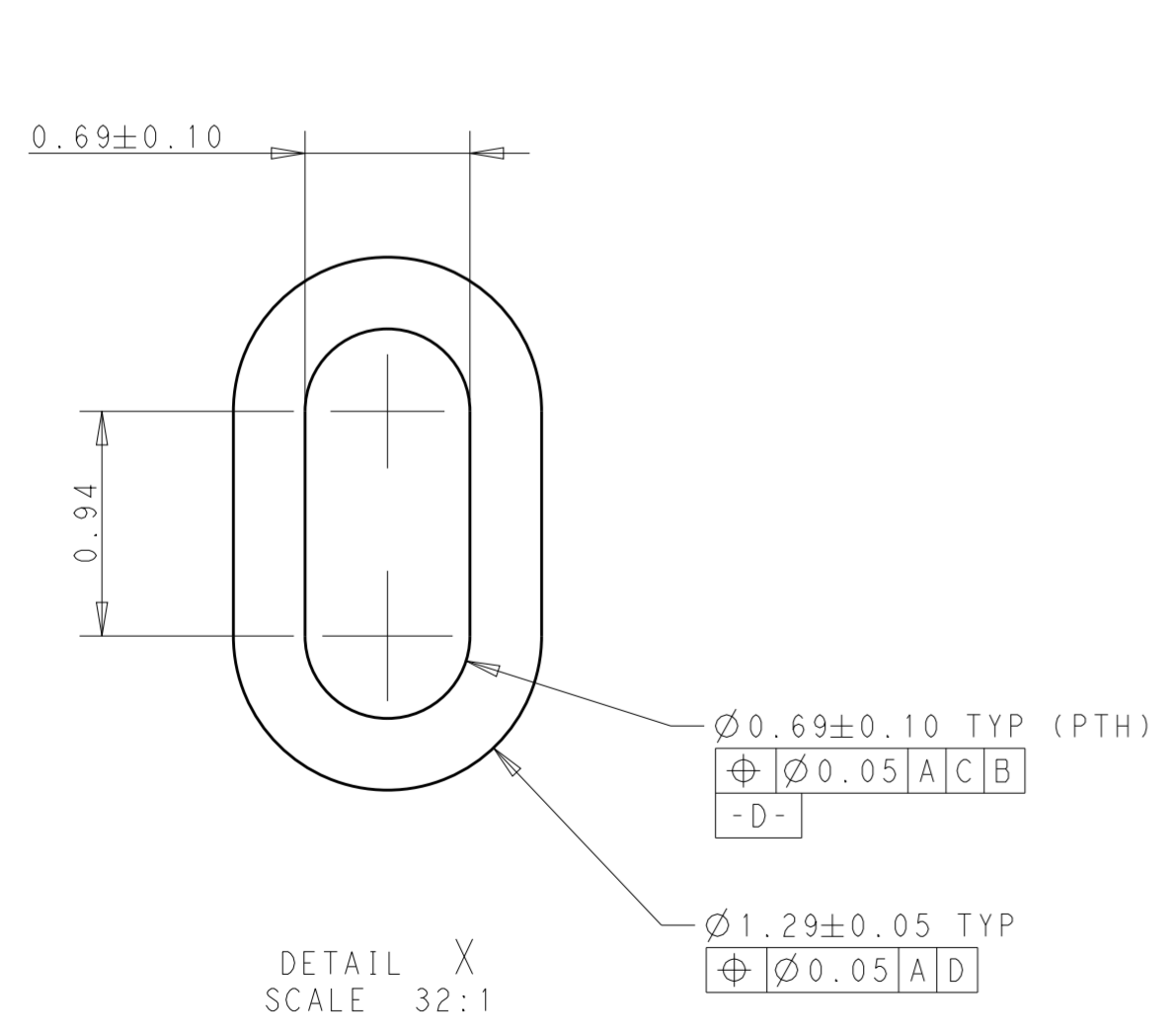
THIS DRAWING IS A CONTROLLED DOCUMENT.		DWN 06DEC2016 ARTHUR JIN	TE Connectivity	
DIMENSIONS: mm		CHK 10DEC2016 SEAN HAN		
TOLERANCES UNLESS OTHERWISE SPECIFIED:		APVD 10DEC2016 SEAN HAN	NAME NPIO 80CKT VERTICAL RECEPTACLE	
0 PLC ±		PRODUCT SPEC 108-60118	SIZE A2	
1 PLC ±0.25		APPLICATION SPEC 114-60024	CAGE CODE -	
2 PLC ±0.15		WEIGHT -	DRAWING NO C-2312148	
3 PLC ±		CUSTOMER DRAWING	RESTRICTED TO -	
4 PLC ±			SCALE 3:1 SHEET 1 OF 2 REV A	
ANGLES ±1/2				
FINISH SEE NOTES				

THIS DRAWING IS UNPUBLISHED. RELEASED FOR PUBLICATION 20
 © COPYRIGHT 20 BY - ALL RIGHTS RESERVED.

REVISIONS				
P	LTR	DESCRIPTION	DATE	APVD
		SEE SHEET 1		



RECOMMENDED FOOTPRINT
 SCALE 14:1



- NOTES:
 1. MINIMUM RECOMMENDED SPACING IS 26.75mm
 2. MINIMUM RECOMMENDED PCB THICKNESS: 1.57mm
 3. CONNECTOR KEEP OUT AREA
 4. DATUM-A- ESTABLISHED FROM TOP SURFACE OF PCB

THIS DRAWING IS A CONTROLLED DOCUMENT.		DWN ARTHUR JIN 06DEC2016	TE Connectivity	
DIMENSIONS: mm		CHK SEAN HAN 10DEC2016		
TOLERANCES UNLESS OTHERWISE SPECIFIED: 0 PLC ± 1 PLC ±0.25 2 PLC ±0.15 3 PLC ± 4 PLC ± ANGLES ±1/2 FINISH		APVD SEAN HAN 10DEC2016	NAME NPIO 80CKT VERTICAL RECEPTACLE	
MATERIAL SEE NOTES		PRODUCT SPEC 108-60118	SIZE A2	CAGE CODE -
SEE NOTES		APPLICATION SPEC 114-60024	DRAWING NO C-2312148	RESTRICTED TO -
CUSTOMER DRAWING		WEIGHT -	SCALE 3:1	SHEET 2 OF 2
			REV A	