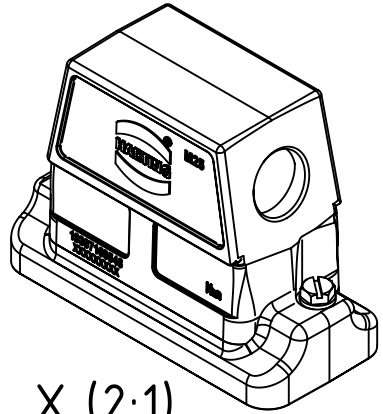
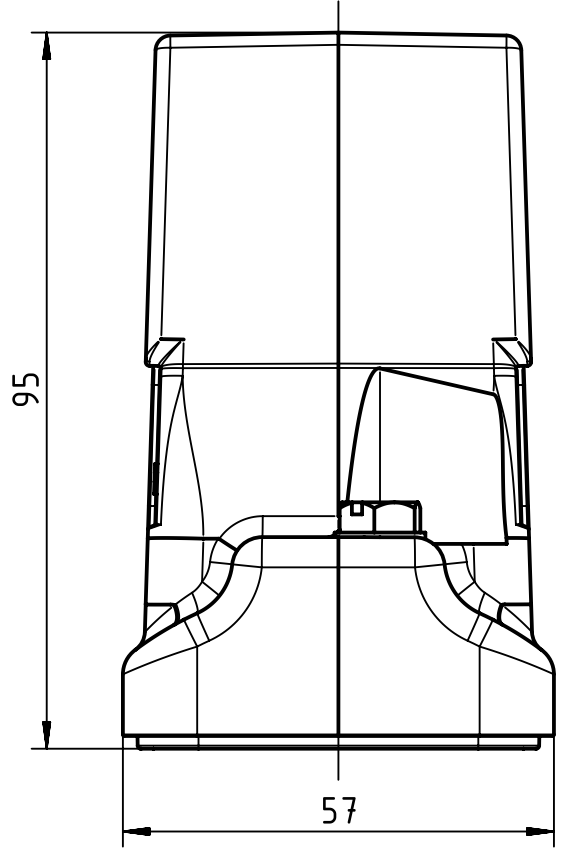
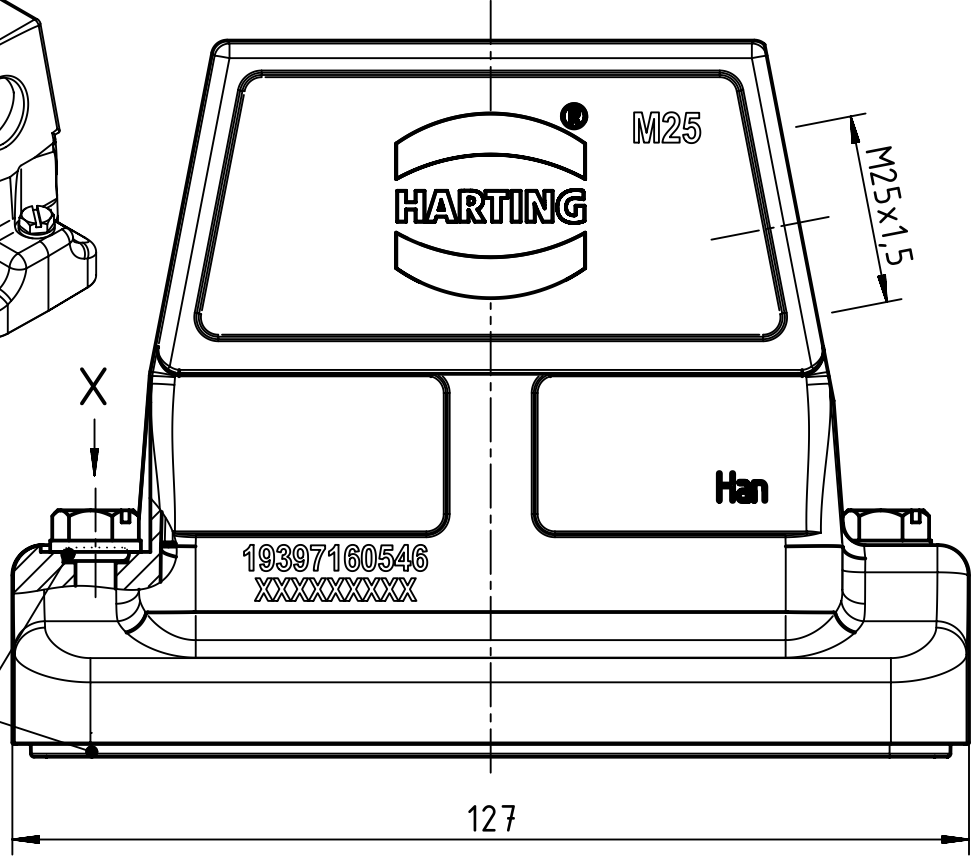
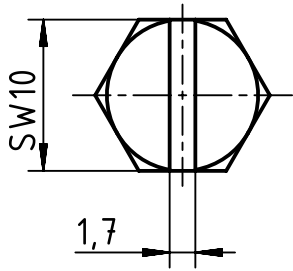


1 2 3 4 5 6

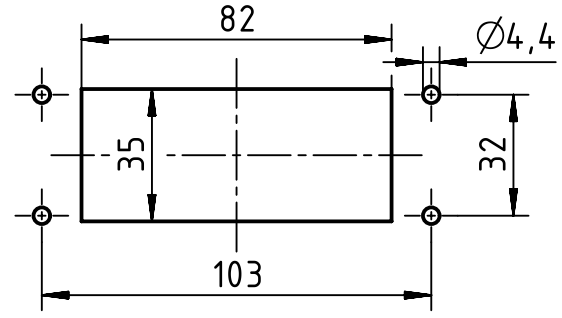
A
B
C
D



X (2:1)



Panel cut out (1:2)



	All rights reserved Department EL PD - CN HARTING (Zhuhai) Manufacturing Co., Ltd. 519085 Zhuhai, China	All Dimensions in mm Original Size DIN A4		Scale 1:1	Free size tol.	Ref. Sub.
		Created by LONGL	Inspected by WENE	Standardisation SCHMIDTM	Date 2017-03-20	State Final Release
Title Han 16HP Direct/M-HSE-M25					Doc-Key / ECM-Nr. 100664321/UGD/003/C 500000116978	
Type TB			Number 19 39 716 0546		Rev. C	Page 1/1