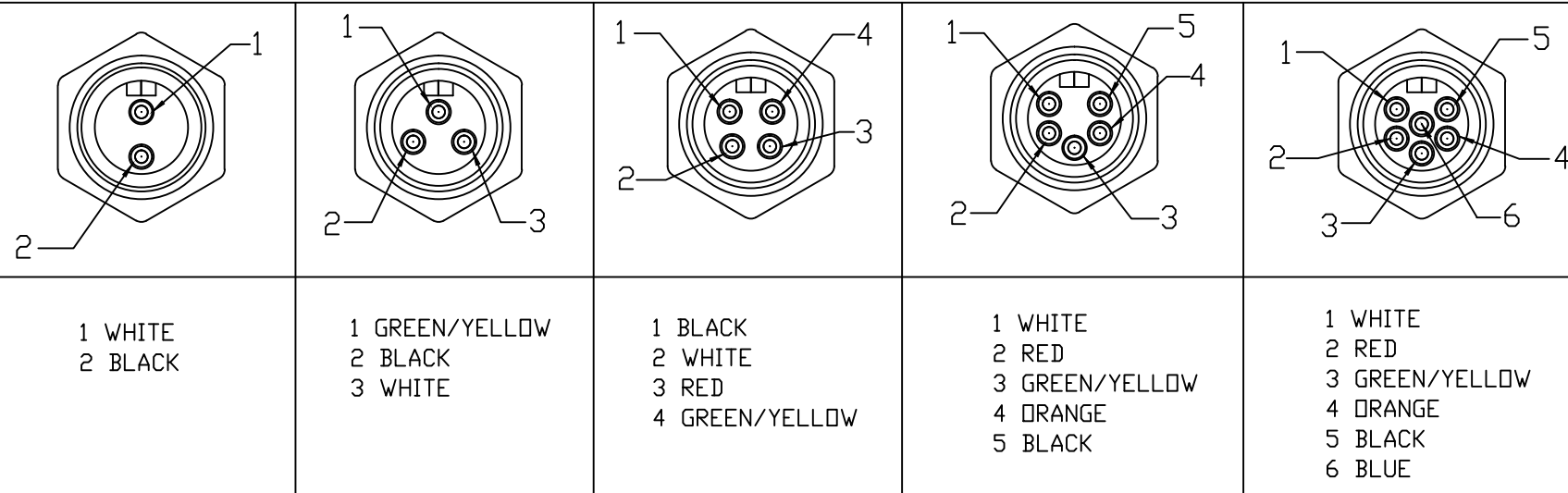


FACE VIEW - MALE INSERT



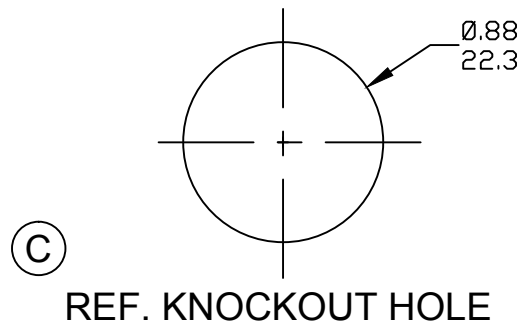
PART NUMBER LEGEND (C)

1R3006A20F020

POLES
2-6

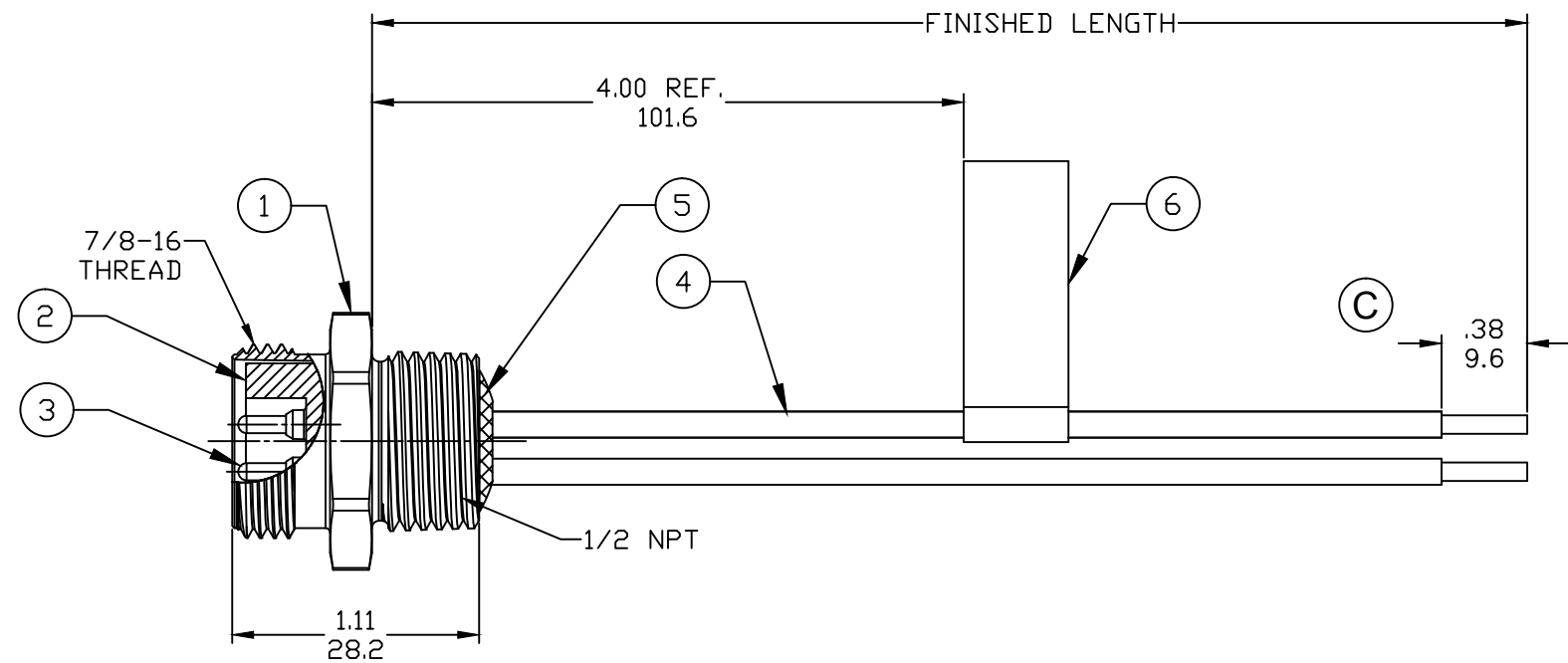
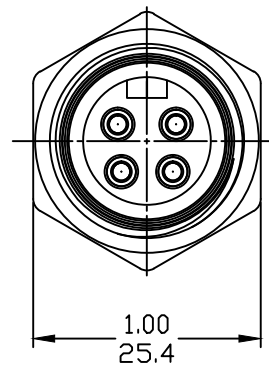
FINISHED LENGTH:
A120= 12 IN.
F020= 2 FEET
F100= 10 FEET

M005= 0.5 METER
M010= 1 METER
M100= 10 METER



NOTES:

- MATERIAL: AS NOTED
- FINISH: AS NOTED
- ELECTRICAL:
VOLTAGE: 2 THRU 6P 600V PER UL 2238
3P 400V PER IEC 60664
4,5 & 6P 320V PER IEC 60664
CURRENT: 2 & 3 POLE: 13A
4 POLE: 10A
5 & 6 POLE: 8A
- TEMP RATING: -20°TO +105°C
- PROTECTION: IP67 (WHEN MATED)
- ALL DIMS ARE FOR REFERENCE UNLESS OTHERWISE NOTED



6	LABEL	VINYL	BLACK/YELLOW
5	POTTING	EPOXY	
4	WIRE, 16 AWG, UL 1015	PVC INSUL.	SEE FACE VIEW
3	CONTACT PIN	Cu ALLOY	GOLD PLATED
2	INSERT	PVC	YELLOW
1	RECEPTACLE SHELL	ZINC DIE-CAST	BLACK E-COAT
ITEM	COMPONENT	MATERIAL	FINISH

ADD KNOCKOUT, REV PIN LEG EC NO: IPG2017-0559 DRWN: RSTONE CHKD: M ZIELI APPR: BWOODMAN 12/5/16 2016/12/12 2016/08/19	QUALITY SYMBOLS ▽=0 (C)=0	GENERAL TOLERANCES (UNLESS SPECIFIED)		DIMENSION STYLE IN/MM		SCALE ---	DESIGN UNITS INCH	THIRD ANGLE PROJECTION		
		4 PLACES	±---	±---	DRAWN BY	DATE	TITLE MINI CHANGE RECEPTACLE MALE 2 TO 6P 16 AWG			
		3 PLACES	±---	±---	RSTONE	2016/08/01				
		2 PLACES	±---	±---	CHECKED BY	DATE	MOLEX INCORPORATED			
1 PLACE	±---	±---	M ZIELIN	2016/12/12						
ANGULAR ±1°		DRAFT WHERE APPLICABLE MUST REMAIN WITHIN DIMENSIONS		APPROVED BY DATE TWOLDEGE 2016/08/19		MATERIAL NO. -		DOCUMENT NO. SD-130013-120		
SIZE B		THIS DRAWING CONTAINS INFORMATION THAT IS PROPRIETARY TO MOLEX INCORPORATED AND SHOULD NOT BE USED WITHOUT WRITTEN PERMISSION								