

**PLEASE CHECK WWW.MOLEX.COM FOR LATEST PART INFORMATION**

**Part Number:** [63813-7300](#)  
**Status:** **Active**  
**Description:** Extractor Tool for 30 Circuit Hybrid Male Housing

**Documents:**  
[RoHS Certificate of Compliance \(PDF\)](#)

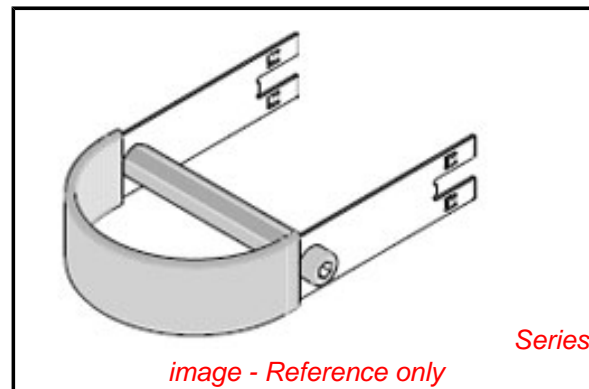
**General**

Product Family	Application Tooling
Series	<a href="#">T0201</a>
Comments	See Tooling Specification (PDF) Above
Function	Extraction
Geographic Area	Global
Level of Automation	Manual
More Detailed Tech Information	<a href="mailto:applicationtooling@molex.com">applicationtooling@molex.com</a>
Product Name	N/A
Survey	<a href="http://www.molex.com//review/apptool_survey.html">www.molex.com//review/apptool_survey.html</a>
Tool Type	Handtool
UPC	884982141469

**Material Info**

**Reference - Drawing Numbers**

Application Tooling Documents	ATS-638137300
-------------------------------	---------------



<b>EU RoHS</b>	<b>China RoHS</b>
<b>Compliance Status</b>	
<b>Not Reviewed</b>	
<b>REACH SVHC</b>	
<b>Not Reviewed</b>	
<b>Low-Halogen Status</b>	
<b>Not Reviewed</b>	

**Need more information on product environmental compliance?**

Email [productcompliance@molex.com](mailto:productcompliance@molex.com)  
 For a multiple part number RoHS Certificate of Compliance, [click here](#)

Please visit the [Contact Us](#) section for any non-product compliance questions.

**Search Parts in this Series**  
[T0201Series](#)

**Use With**  
[98761](#) 3.33/4.20mm Pitch Hybrid Male Housing, Sealed, Right and Left Slide Orientation, 30 Circuits