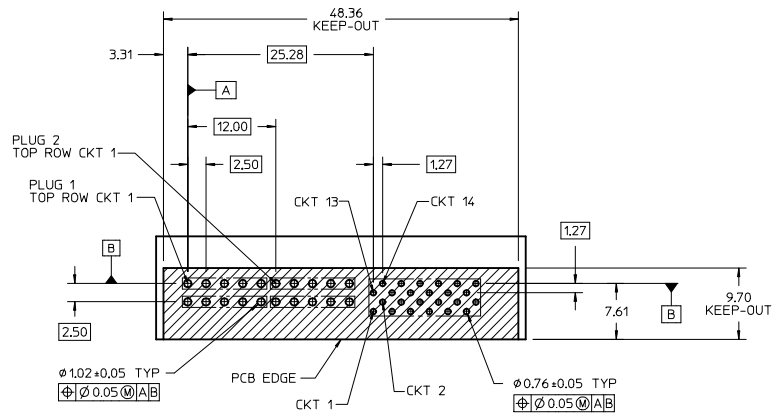
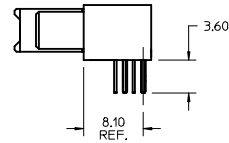
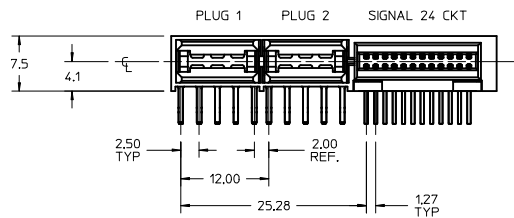


RECOMMENDED
CARD EDGE LAYOUT
THICKNESS: 1.57/062



RECOMMENDED PCB LAYOUT
COMPONENT SIDE
PCB THICKNESS: 2.36/093

NOTES:

1. MATERIAL HOUSING: GLASS FILLED LCP (LIQUID CRYSTAL POLYMER), 94V-0, COLOR-BLACK, CONTACT: COPPER ALLOY.
2. FINISH: SELECT GOLD - .76 MICROMETERS/30 MICROINCHES MINIMUM CONTACT. SELECT TIN - 3.81 MICROMETERS/150 MICROINCHES MINIMUM TAIL. BOTH OVER NICKEL - 1.27 MICROMETERS/50 MICROINCHES MINIMUM.
3. POWER TERMINALS LUBRICATED IN CONTACT AREA.
4. PRODUCT SPECIFICATION: PS-45984-001.
5. PACKAGING: TRAY PER PK-45984-001.
6. PARTS ARE ROHS COMPLIANT.
7. MATES TO 1.57/062 CARD EDGE OR MOLEX P/N 45985-4***

ADD CKT CALL-OUTS EC NO: LCP2013-0549 DRAWN: LOUILES 2012/08/09 CHKD: BANDURA 2012/08/09 APPR: APATEL 2012/08/16 REV: B1	QUALITY SYMBOLS	GENERAL TOLERANCES (UNLESS SPECIFIED)	DIMENSION STYLE	SCALE	DESIGN UNITS	THIRD ANGLE PROJECTION
	$\nabla=0$	mm INCH	MM ONLY	3:1	METRIC	
	$\nabla=0$	4 PLACES ±--- ±---	DRAWN BY	DATE	TITLE	
	$\nabla=0$	3 PLACES ±--- ±---	BANDURA	10/13/2009	RECEPTACLE ASSEMBLY LPH REVERSE ORIENTATION 4-POWER 24-SIGNAL	
	2 PLACES ±0.13 ±---	CHECKED BY	DATE	MATERIAL NO.		SHEET NO.
	1 PLACE ±0.25 ±---	APPROVED BY	DATE	45984-0008		1 OF 1
	ANGULAR ±1/2°	PATEL	2010/06/03	DOCUMENT NO.		
	DRAFT WHERE APPLICABLE MUST REMAIN WITHIN DIMENSIONS			SD-45984-008		
				MOLEX INCORPORATED		
				THIS DRAWING CONTAINS INFORMATION THAT IS PROPRIETARY TO MOLEX INCORPORATED AND SHOULD NOT BE USED WITHOUT WRITTEN PERMISSION		