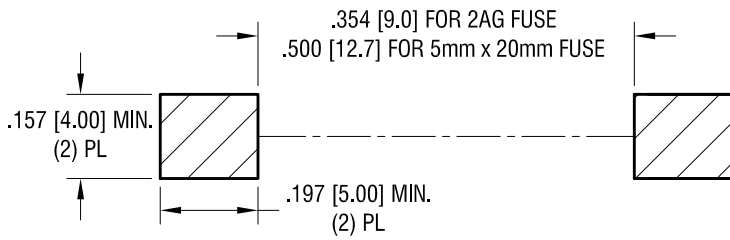
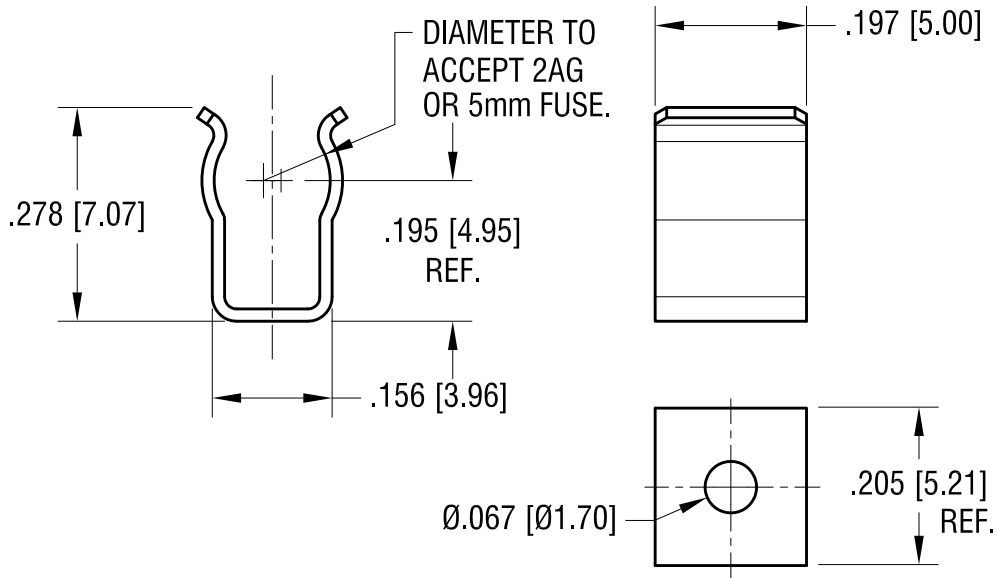


PAD LAYOUT



THIS DOCUMENT IS THE PROPERTY OF KEYSTONE ELECTRONICS CORP. AND SHALL NOT BE REPRODUCED, DISTRIBUTED OR USED AS A BASIS FOR MANUFACTURE WITHOUT PRIOR WRITTEN PERMISSION FROM KEYSTONE ELECTRONICS CORP.

ACTUAL SIZE



KEYSTONE ELECTRONICS CORP.

www.keyelco.com • ASTORIA, N.Y. 11105-2017 • Tel (718) 956-8900

PART NAME
2AG/5mm SURFACE MOUNT FUSE CLIP

MATERIAL
.016 [0.40] TH'K BRASS

FINISH MATTE TIN PLATE	DRN BY NT	DATE 1.31.11
	APP'D LN	SCALE 4X

TOLERANCES INCH [MM] DECIMAL ± .005 [± 0.13] ANGULAR ± 1° UNLESS OTHERWISE SPECIFIED	CODE C	DWG NO. 3622
--	-----------	------------------------

4.11.17	CHANGE AS PER ECN 17-034	B
2.03.16	CHANGE AS PER ECN 16-023	A
DATE	DESCRIPTION	REV.