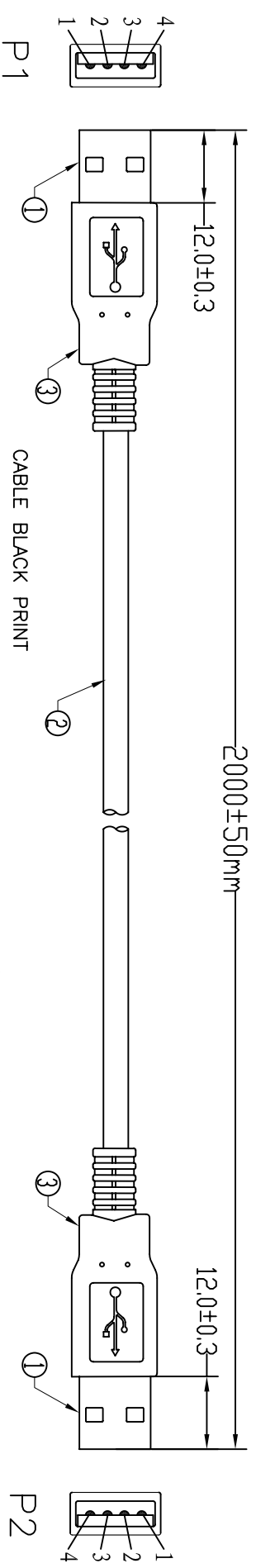
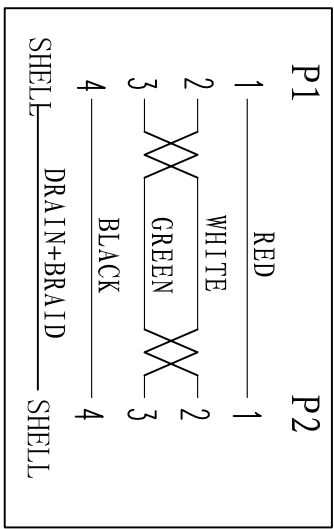


UNIT:mm

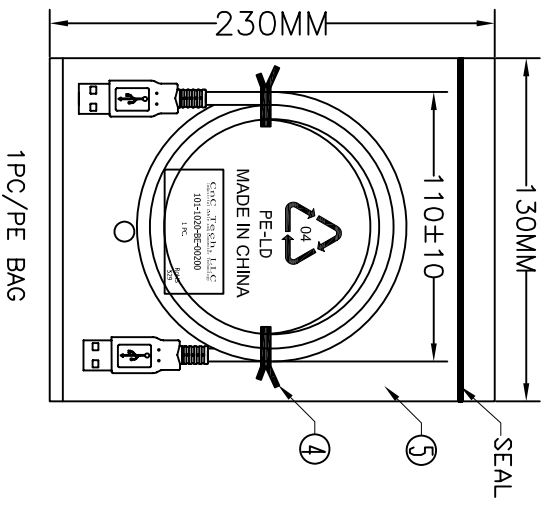


CABLE BLACK PRINT
 HI-SPEED USB Revision 2.0 SHIELDED 28AWG/1P+24AWG/2C
 E189529 **PL** AWM STYLE 2725 80°C 30V VW-1 VEGA TECH

PIN ASSIGNMENT:



Electrical test:
 1. 100% short, open, miswire test
 2. Conduct resistance: 2 Ohm(max)
 3. Insulation resistance: 5Mohm(min)
 4. dielectric test: DC 300V



⑥	PE BAG	1/10	CLEAR SIZE:280*330*0.05mm	PRINT BLACK	MADE IN CHINA	"10PCS"
⑤	PE BAG	1	CLEAR SIZE:130*230*0.05mm	PRINT BLACK	MADE IN CHINA	"1PC"
④	TIE	2	WHITE L=100mm			
③	OUT JACKET	12g	BEIGE(1V-29#)	PVC-40P (MOULD NO:MM-40)		
②	CABLE	1	BEIGE(1V-29#)	USB2.0 UL2725 28#/1P+26#/2C+4EB	OD:4.7mm L=2000±10	
①	CONN	2set	USB A MALE NICKEL	PIN G/F	4PCS	TYPE
NO.	NAME	Q'TY	SPECIFICATION			

CNC Tech, LLC
 Industrial Cable and Connector Technology

DRAWN	ZHONGHS	DRAWING NO	
CHECKED		CUSTOMER	
APPROVAL		ITEM NO.	101-1020-BE-00200
DECIDED		DATE	2012-02-14
VERSIONS/EDITED	A/0	PROJECTION	