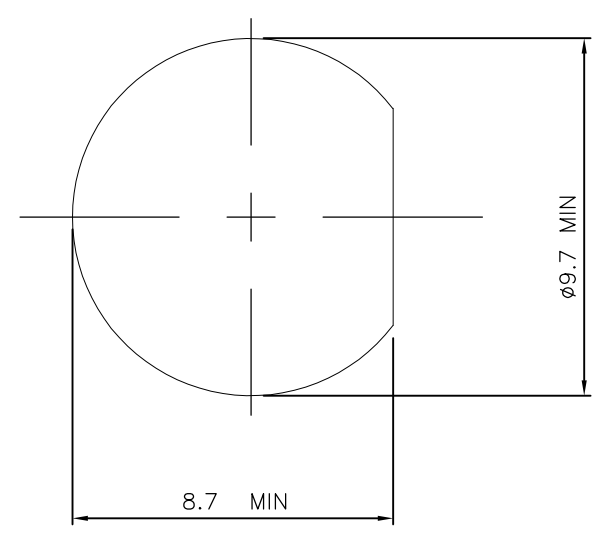
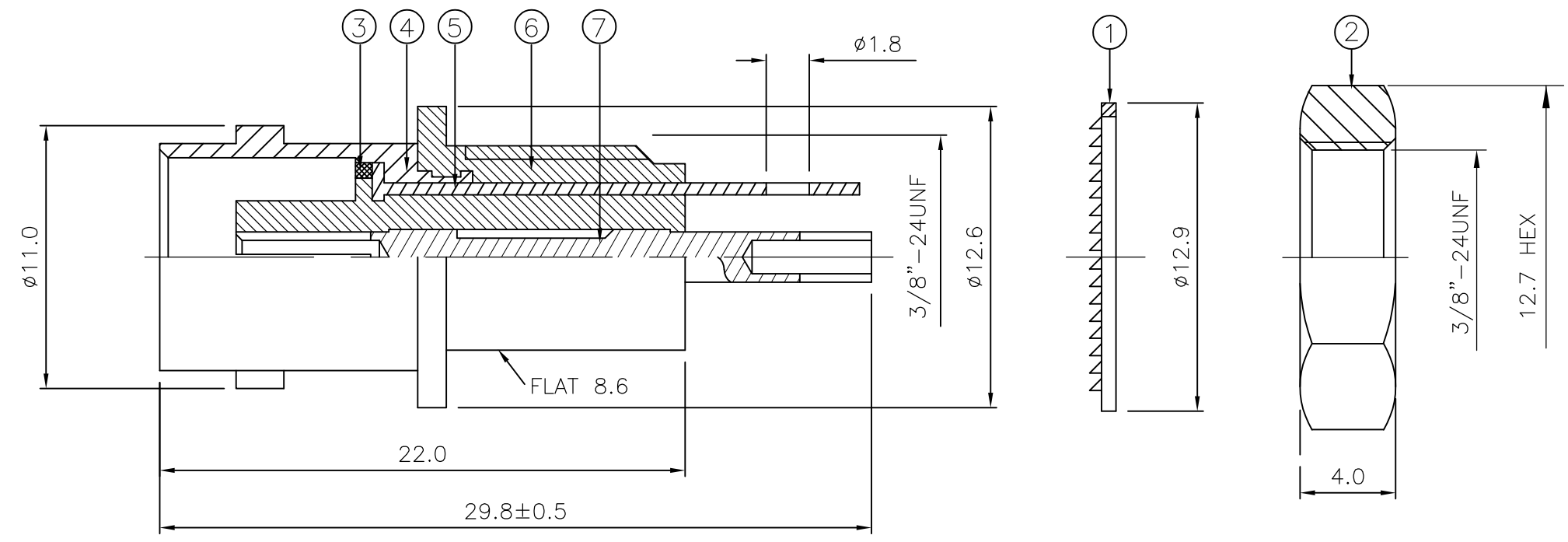


THIS DRAWING IS UNPUBLISHED. RELEASED FOR PUBLICATION DEC ,2005.
 © COPYRIGHT 2005 By - ALL RIGHTS RESERVED.

LOC	DIST	REVISIONS			
P	LTR	DESCRIPTION	DATE	DWN	APVD
E	B	C	ECR-05-017969	13DEC05	JMS FWK
		D	ECO-11-010041	16MAY2011	TITAN MARTIN

- NOTES:**
- ① PACK IN ACCORDANCE WITH AMP SPEC 107-3275
 - ② 100 TRAY PACK IN ACCORDANCE WITH AMP SPEC 107-3275
 - ③ Au PLATING
 - ④ Ni PLATING
 - ⑤ Sn PLATING
- 6 ELECTRICAL CHARACTERISTICS
 FREQUENCY RANGE: DC - 4 GHz
 NOMINAL IMPEDANCE: 50 Ohms
 INSULATION RESISTANCE: 5000 MOhms Min.
 WORKING VOLTAGE: 500 Volts RMS at Sea Level
 DIELECTRIC WITHSTAND VOLTAGE: 1500 Volts RMS Max
 CONTACT RESISTANCE:
 CENTRE CONTACT: 1.50 mOhms Max
 OUTER CONTACT: 1.0 mOhms Max
 VSWR @ xGHz: 1.3 MAX. @1 GHz
 INSERTION LOSS xdb: 0.2 dB MAX. @1 GHz
- 7 MECHANICAL CHARACTERISTICS
 INTERFACE IN ACCORDANCE WITH: MIL-STD-348A
 DURABILITY: 500 MATINGS
- 8 ENVIRONMENTAL CHARACTERISTICS
 OPERATING TEMPERATURE: -40 to +60 DegC



MOUNTING HOLE

QTY	QTY PER ASSY	MATERIAL	DESCRIPTION	ITEM
1	1	BRASS	CENTER CONTACT	7
1	1	ABS	BODY I	6
1	1	BRASS	GROUNDING TAB	5
1	1	BRASS	BODY II	4
1	1	BRASS	WASHER	3
1	1	BRASS	NUT	2
1	1	STEEL	WASHER	1
6--0	1--0	MATERIAL	DESCRIPTION	ITEM

THIS DRAWING IS A CONTROLLED DOCUMENT.		DWN	J.SANDWELL	13DEC05
DIMENSIONS: mm		CHK	S.PARLOW	13DEC05
TOLERANCES UNLESS OTHERWISE SPECIFIED:		APVD	F.WHEELER-KING	13DEC05
0 PLC ± -		PRODUCT SPEC	NAME	
1 PLC ± 0.2		APPLICATION SPEC	BNC INSULATED BULKHEAD SOCKET	
2 PLC ± 0.1		WEIGHT	FRONT MOUNT 50 OHM	
3 PLC ± 0.05		CUSTOMER DRAWING	SIZE	A3
4 PLC ± -		SCALE	CAGE CODE	00779
ANGLES ± 5°		DRAWING NO	C-1337452	
MATERIAL	SEE TABLE	FINISH	RESTRICTED TO	-
FINISH		SEE TABLE	SCALE	NTS
MATERIAL		SEE TABLE	SHEET	1 OF 1
FINISH		SEE TABLE	REV	D