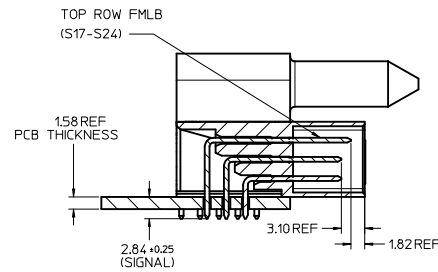
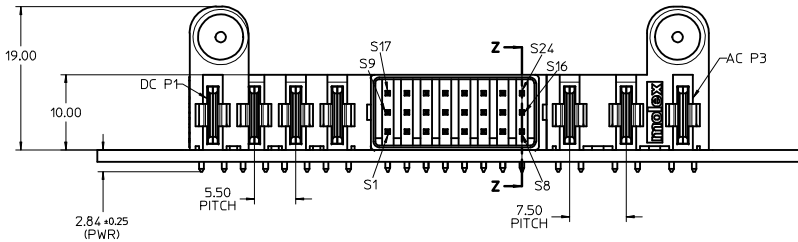
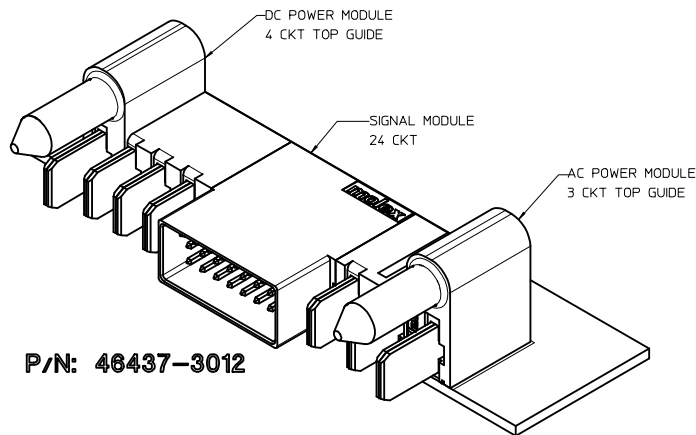
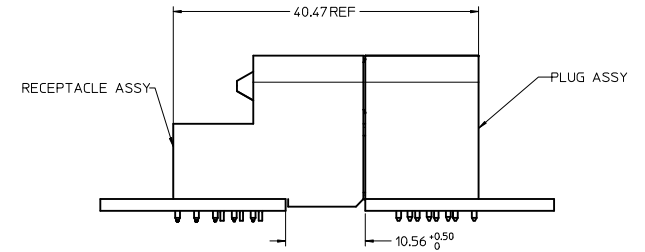


RECOMMENDED PCB LAY-OUT AND KEEP-OUT ZONE



SECTION Z-Z



P/N: 46437-3012

NOTES:

- MATERIAL:
 - HOUSINGS: LCP UL94, V-0, COLOR: BLACK.
 - TERMINALS: COPPER ALLOY.
 - PLATING: 0.00127 NICKEL OVERALL WITH 0.00254 SELECTIVE TIN ON SOLDER TAILS AND 0.000762 SELECTIVE GOLD ON CONTACT AREA.
- ASSEMBLIES PACKED IN TRAYS, SPI: TBD
- PC BOARD REQUIRES SOLDER THRU HOLES, REFER TO PS-46436-100 FOR DETAILS
- PRODUCT SPEC: PS-46436-100.
- APPLICATION SPEC: AS-46436-100.
- PRODUCT TO MEET RoHS REQUIREMENTS.
- ASSEMBLY MATES TO MOLEX RECEPTACLE ASSEMBLY P/N 46436-3012 OR 46562-3012.

| | | | | | | | | | |
|---|--------------------------------|---------------------------------------|--|-----------------------------------|----------------------|---|-----------------------------------|-------------------------------------|---------------------|
| RELEASED IEC NO: UCP2009-2546 2009/05/05 DRAWN: JKH 2009/05/05 CHKD: JKH 2009/05/05 APPR: APATEL 2009/05/05 | QUALITY SYMBOLS DESCRIPTION | GENERAL TOLERANCES (UNLESS SPECIFIED) | | DIMENSION STYLE MM ONLY | | SCALE NTS | DESIGN UNITS METRIC | THIRD ANGLE PROJECTION | |
| | | 4 PLACES ± --- ± --- | mm INCH | DRAWN BY KJKOH | DATE 2009/03/11 | TITLE RA PLUG ASSY TEN60 POWER, TOP GUIDES TG-4P-24S-3AC-TG | | | |
| | | 3 PLACES ± --- ± --- | 1 PLACE ± 0.25 ± --- | CHECKED BY KJKOH | DATE 2009/03/11 | MOLEX INCORPORATED | | | |
| | | ANGULAR ± 1/2° | DRAFT WHERE APPLICABLE MUST REMAIN WITHIN DIMENSIONS | | APPROVED BY SHONG | DATE | MATERIAL NO. 46437-3012 | DOCUMENT NO. SD-46437-312 | SHEET NO. 1 OF 1 |

THIS DRAWING CONTAINS INFORMATION THAT IS PROPRIETARY TO MOLEX INCORPORATED AND SHOULD NOT BE USED WITHOUT WRITTEN PERMISSION