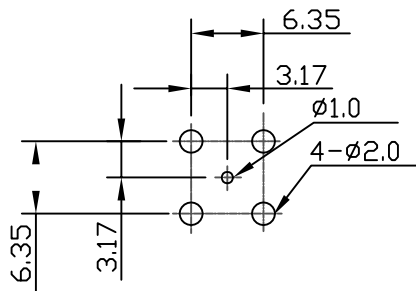
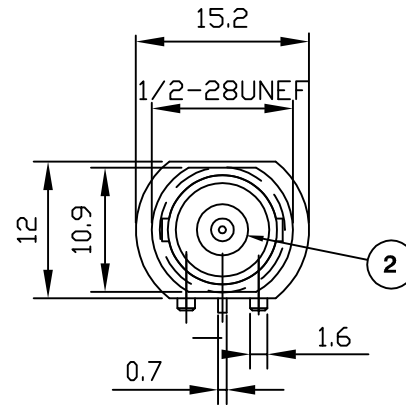
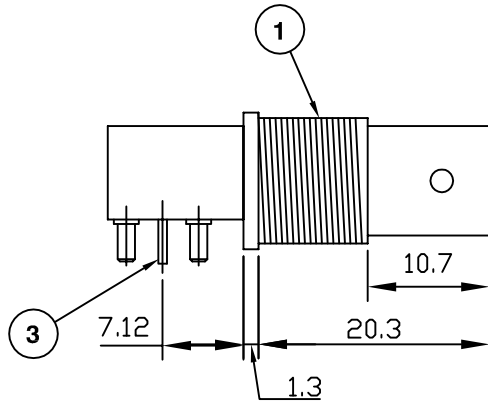
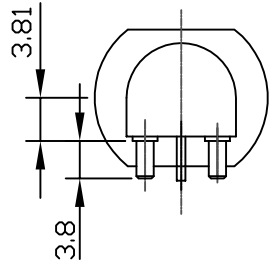
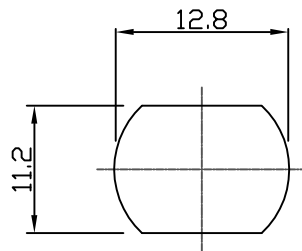


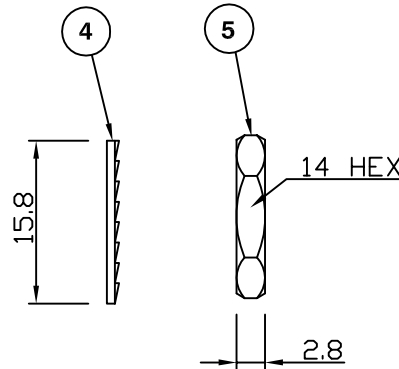
RoHS COMPLIANT



RECOMMENDED PCB LAYOUT



RECOMMENDED PANEL CUTOUT



Electrical Characteristics

Nominal Impedance:	50 ohms
Frequency Range:	DC to 4 GHz
VSWR:	1.35:1 maximum
Insertion Loss:	0.2 dB at 3 GHz
Operating Voltage (rms):	500 V maximum at sea level
Dielectric Withstand Voltage (rms):	1000 V maximum at sea level
Contact Resistance:	3.0 milliohms maximum
Insulation Resistance:	5000 megohms minimum
Current Rating:	3 Amps maximum

Mechanical Characteristics

Mating Cycles:	500 cycles minimum
Interface Dimensions:	Conform to MIL-C-39012

Environmental Characteristics

Temperature Range:	-55 °C to +85 °C
--------------------	------------------

REF.	DESCRIPTION	MATERIAL	PLATING
1	Shell	Zinc Alloy	Nickel
2	Insulator	Polypropylene	
3	Socket Contact	Phosphor	Gold
4	Lock Washer	Brass	Nickel
5	Hex Nut	Brass	Nickel

Corrected Panel cut out dimensions	KA	5	09 July 08
Complete Update	KA	4	13 Mar 08
Orientation/dimensions corrected	SN	3	08 Dec 03
CAD Issue	SN	2	01 May 02
First Issue	SN	1	28 Jan 00
DESCRIPTION OF REVISION	APPVD	ISS	DATE



Cinch Connectivity Solutions
 7-13 Russel Way,
 Widford Industrial Estate,
 Chelmsford, Essex,
 CM1 3AA, UK.
 Tel: +44 (0) 1245 359515
 Fax: +44 (0) 1245 358938

SCALE: Not To Scale

DIMENSIONS: mm

TOLERANCES:
 ± 0.2mm unless
 otherwise stated

DRAWN BY:

J Williams

CHECKED BY:

M Terry

APPROVED BY:

A Tusi

DATE:

04 Apr 06

TITLE:

Shielded BNC PCB Mount
 Right Angle Jack

PART NUMBER:

VBM511

PAGE: 1 of 1