

LAYOUT SHOWN AS EXAMPLE

Keying Shown as example

CHARACTERISTICS

- Standard : Based on MIL-DTL-38999 Series III
- Shell Material : Aluminium
- Shell Plating : Nickel
- Insulator : Thermoplastic
- Contacts : Copper Alloy
- Seals & Grommet : Silicon Elastomer
- Contact Plating : Gold over copper Alloy 0.8µm minimum
- Durability : 500 Mating cycles
- Delivered with Souriau contacts and Accessories
- Temperature Range : -65°C to +200°C
- Salt Spray : 48 hours
- Mass : 44.19 g ± 10%

| Connector dimension | |
|---------------------|---------------|
| Dim | Nominal |
| P | 3.91±0.2 |
| PP | 6.15±0.2 |
| R1 | 34.93 |
| R2 | 31.75 |
| S | 42.9±0.3 |
| V | 20.07+0/-1.25 |
| W | 2.1/3.2 |
| Z | 31.5 Max |
| VV THREAD | M34x1-6g |

SOURIAU shall not be liable for any non-conformity or damage due to a use of the Products which does not comply with the Specifications issued by either of the Parties or by a third party (professional recommendation, technical notice.)

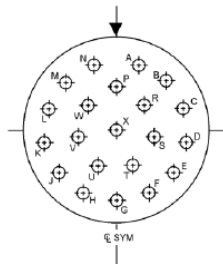
| Country | Jurisdiction & Control List |
|---------|-----------------------------|
| FR | Not Listed |

PN: 8D023F21PN

| | | | |
|--------------|---|--------------------------------|---|
| A | 22-09-2016 | First Release | |
| ISS | DATE | Latest modification - by | MOD N° |
| Designed By: | | Date: | CUSTOMER DRAWING |
| TITLE | Aluminium Receptacle 8D series | | |
| SCALE | | General linear Tolerances: ±-- | NPRDS / PROJECT 859 |
| NA | SOURIAU WWW.SOURIAU.COM | | This document is the property of SOURIAU it must not be reproduced or communicated without permission |
| FORMAT | A3 | | SOURIAU DRG N° 8D023F21PN-C SHEET 1/2 |

| | | | | | | | | | |
|----------------|--------------------------|---|---|----|---|----|---|---|---------------------------------|
| BASIC SERIES: | 8D | 0 | - | 23 | F | 21 | P | N | ORIENTATION : N |
| SHELL TYPE : | Square Flange Receptacle | | | | | | | | CONTACT TYPE : PIN(500 Matings) |
| CONTACT TYPE : | Standard Crimp Contact | | | | | | | | CONTACT LAYOUT : 23-21 |
| SHELL SIZE : | 23 | | | | | | | | |
| PLATING : | F = Nickel | | | | | | | | |

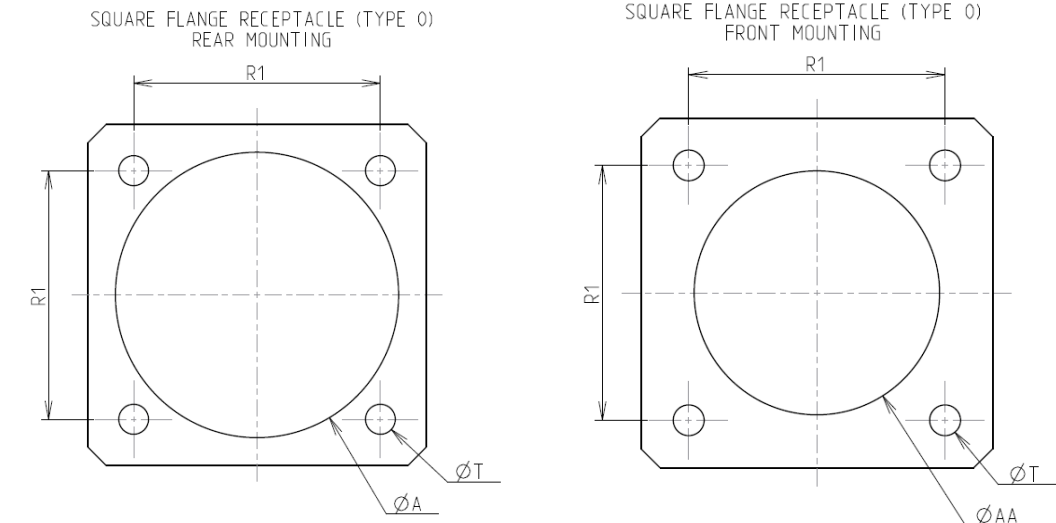
Contact Layout



| Contacts (Insert arrangement 23-21) | | | | | |
|--|--------------|--------------|---------------------|-------------|-------------|
| Contact position ID | Location | | Contact position ID | Location | |
| | X-axis (mm) | Y-axis (mm) | | X-axis (mm) | Y-axis (mm) |
| A | +128 (3.25) | +385 (9.78) | M | -289 (7.34) | +285 (7.24) |
| B | +289 (7.34) | +285 (7.24) | N | -128 (3.25) | +385 (9.78) |
| C | +386 (9.80) | +123 (3.12) | P | +000 (0.00) | +245 (6.22) |
| D | +400 (10.16) | -065 (1.65) | R | +160 (4.06) | +146 (3.71) |
| E | +328 (8.33) | -239 (6.07) | S | +214 (5.44) | -035 (0.89) |
| F | +183 (4.65) | -362 (9.19) | T | +094 (2.39) | -194 (4.93) |
| G | +000 (0.00) | -406 (10.31) | U | -094 (2.39) | -194 (4.93) |
| H | -183 (4.65) | -362 (9.19) | V | -214 (5.44) | -035 (0.89) |
| J | -328 (8.33) | -239 (6.07) | W | -160 (4.06) | +146 (3.71) |
| K | -400 (10.16) | -065 (1.65) | X | +000 (0.00) | +000 (0.00) |
| L | -386 (9.80) | +123 (3.12) | --- | --- | --- |

| Shell size | Arrangement no. | Number of contacts | Size contacts | Service rating | Contact location | Supersedes |
|------------|-----------------|--------------------|---------------|----------------|------------------|------------|
| 23 | -21 | 21 | 16 | II | All | MS20056-21 |

Panel Cutout



| Dim | Nominal |
|-----|------------|
| ØA | 39.29 min |
| ØAA | 34.93 min |
| R1 | 34.93 |
| ØT | 3.91 ±0.13 |

SOURIAU shall not be liable for any non-conformity or damage due to a use of the Products which does not comply with the Specifications issued by either of the Parties or by a third party (professional recommendation, technical notice.)

| Country | Jurisdiction & Control List |
|---------|-----------------------------|
| FR | Not Listed |

PN: 8D023F21PN

| | | | |
|----------------|---------------------------------------|--------------------------------|---|
| A | 22-09-2016 | First Release | |
| ISS | DATE | Latest modification - by | MOD N° |
| Designed By: | | Date: | CUSTOMER DRAWING |
| TITLE | Aluminium Receptacle 8D series | | |
| SCALE | | General linear Tolerances: ±-- | NPRDS / PROJECT 859 |
| SOURIAU | WWW.SOURIAU.COM | | This document is the property of SOURIAU it must not be reproduced or communicated without permission |
| FORMAT | SOURIAU DRG N° 8D023F21PN-C | | SHEET 2/2 |