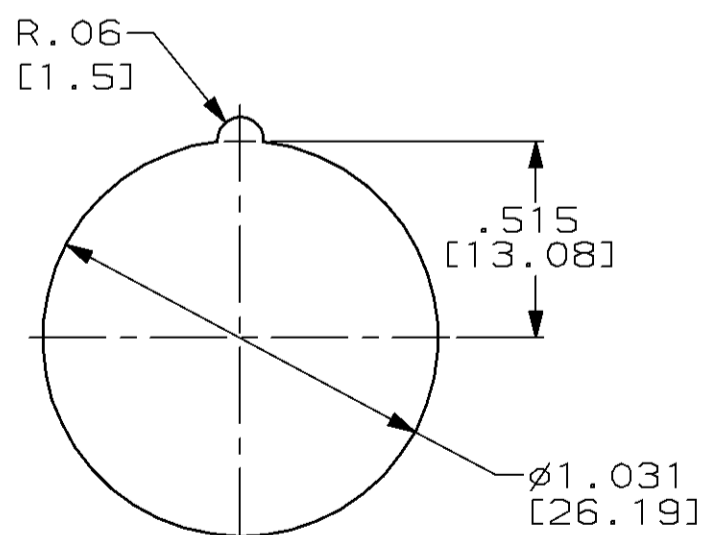
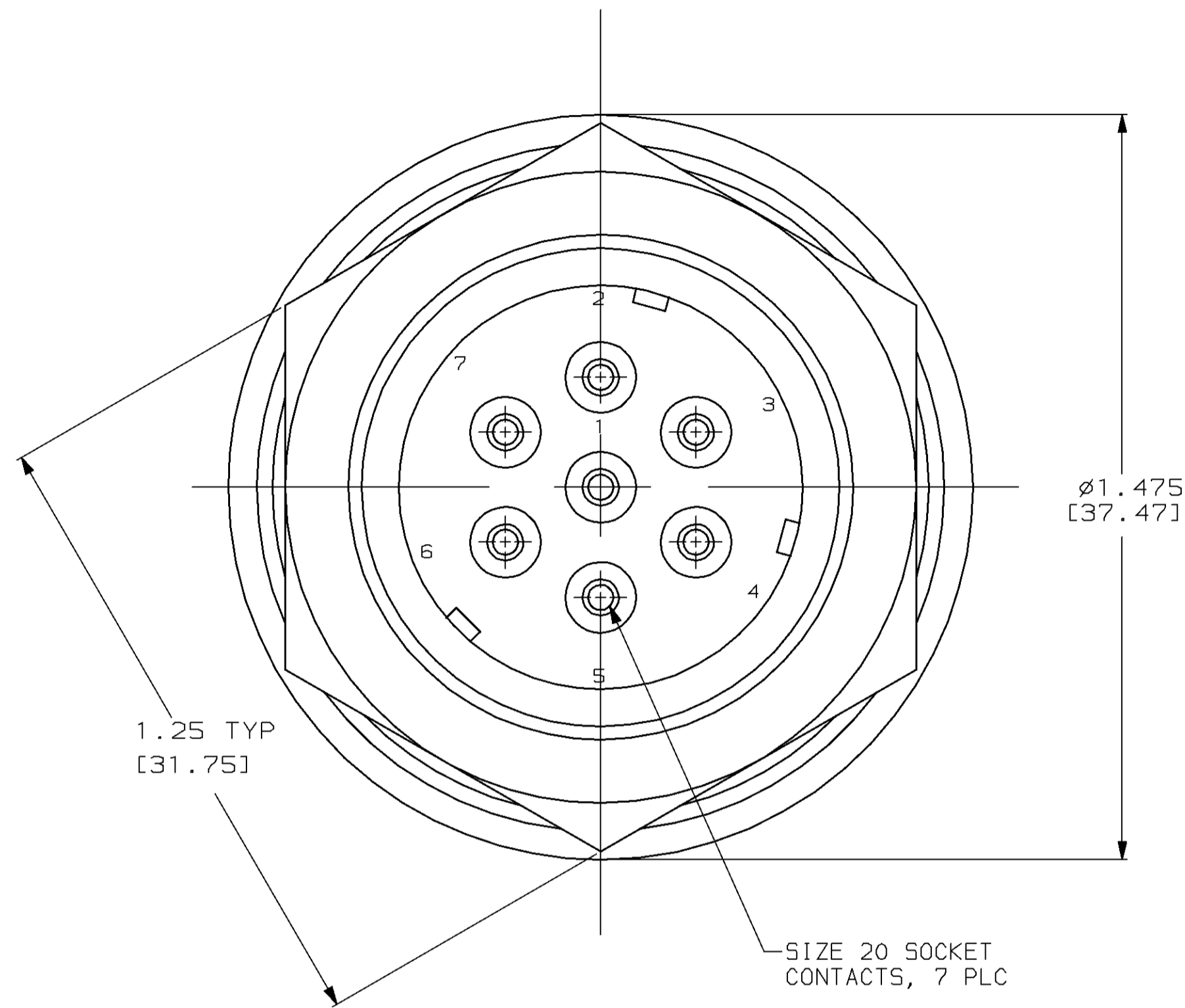
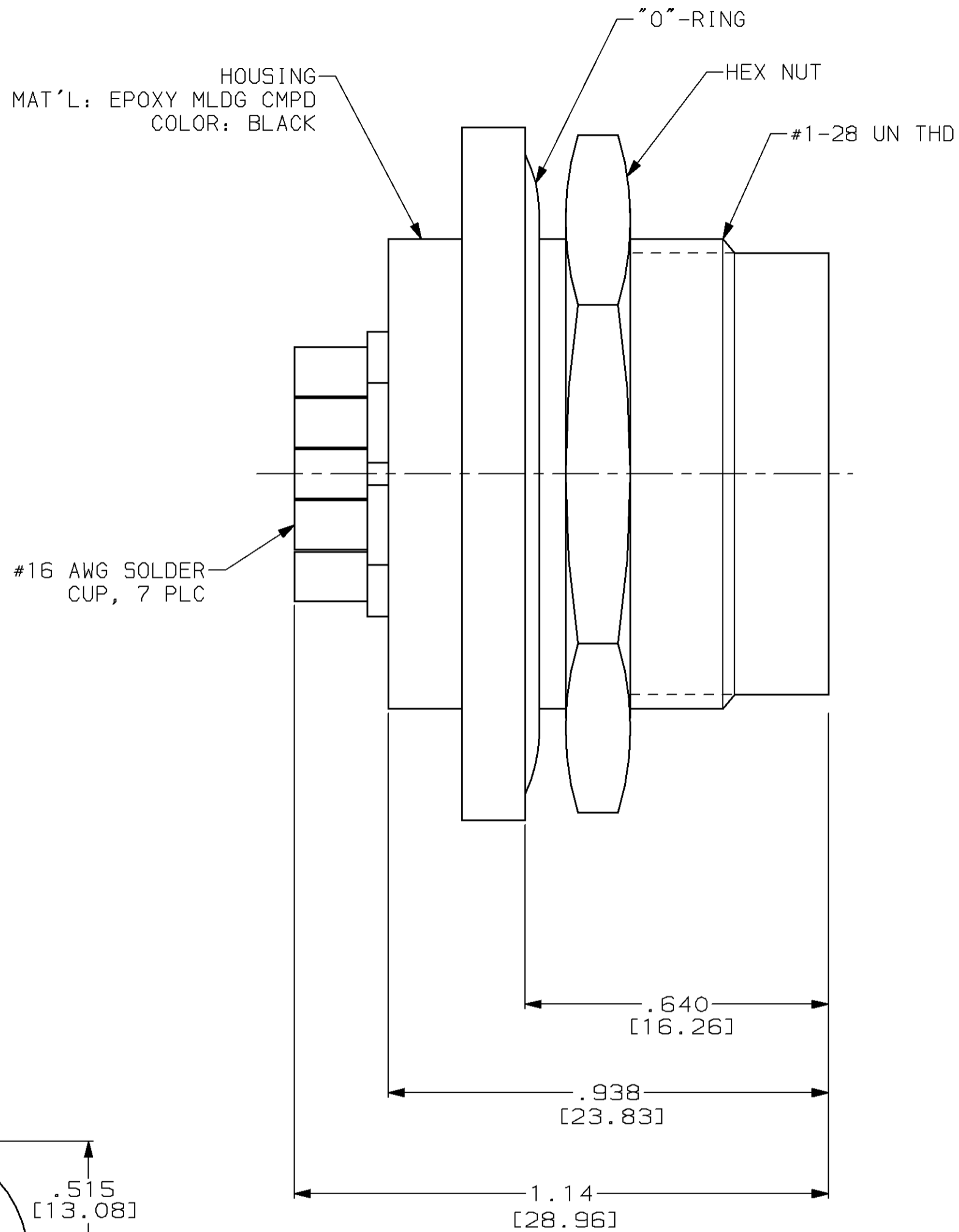


THIS DRAWING IS UNPUBLISHED. RELEASED FOR PUBLICATION
 © COPYRIGHT 19 BY AMP INCORPORATED. ALL RIGHTS RESERVED.

LOC		DIST		REVISIONS			
P	LTR	DESCRIPTION	DATE	DWN	APVD		
B		REDRAWN PER 0600-6253-97	CT	7-97	CT	SG	



RECOMMENDED PANEL CUTOUT
 SCALE 2:1
 MAX PANEL THICKNESS: .125 [3.18]

1. MARKED PER MIL-STD-130.

861999-1
 PART NUMBER

THIS DRAWING IS A CONTROLLED DOCUMENT.		DWN C.C.THOMAS 7-16-97	AMP Incorporated Harrisburg, PA 17105-3608	
DIMENSIONS: INCHES [mm]		CHK S. GLATFELTER 9-4-97	AMP	
TOLERANCES UNLESS OTHERWISE SPECIFIED:		APVD S. GLATFELTER 9-4-97	AMP Incorporated	
0 PLC ±-		PRODUCT SPEC	7 PIN MINIATURE RCPT KIT, LGH	
1 PLC ±-		APPLICATION SPEC	SIZE A2	
2 PLC ±.01 [0.3]		WEIGHT	CAGE CODE 00779	
3 PLC ±.010 [0.25]		FINISH	DRAWING NO. 861999	
4 PLC ±-		SEE CALLOUTS	SCALE 4:1	
ANGLES ±-		SEE CALLOUTS	SHEET 1 OF 1	
MATERIAL		SEE CALLOUTS	REV B	
SEE CALLOUTS		CUSTOMER DRAWING		