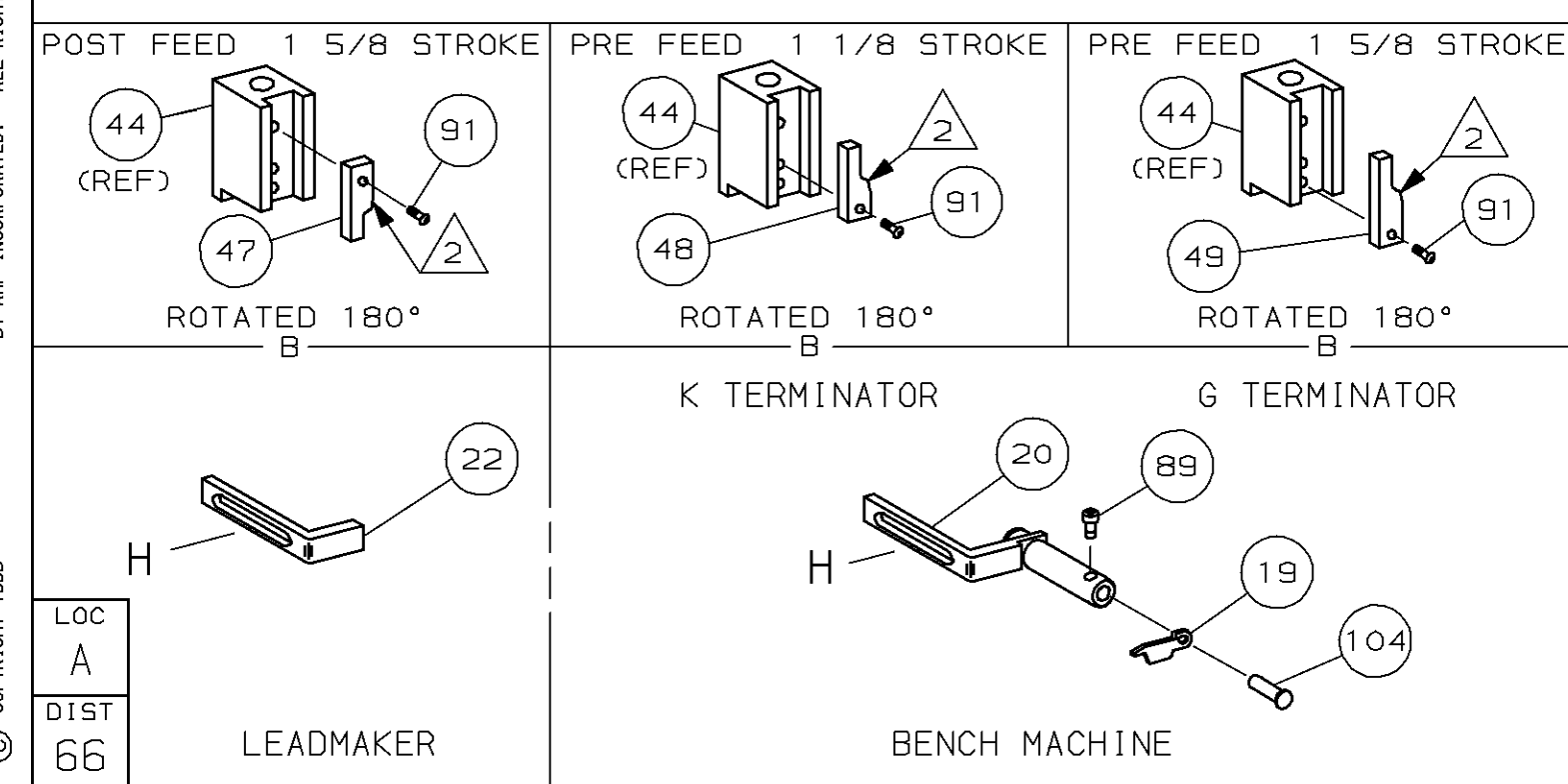
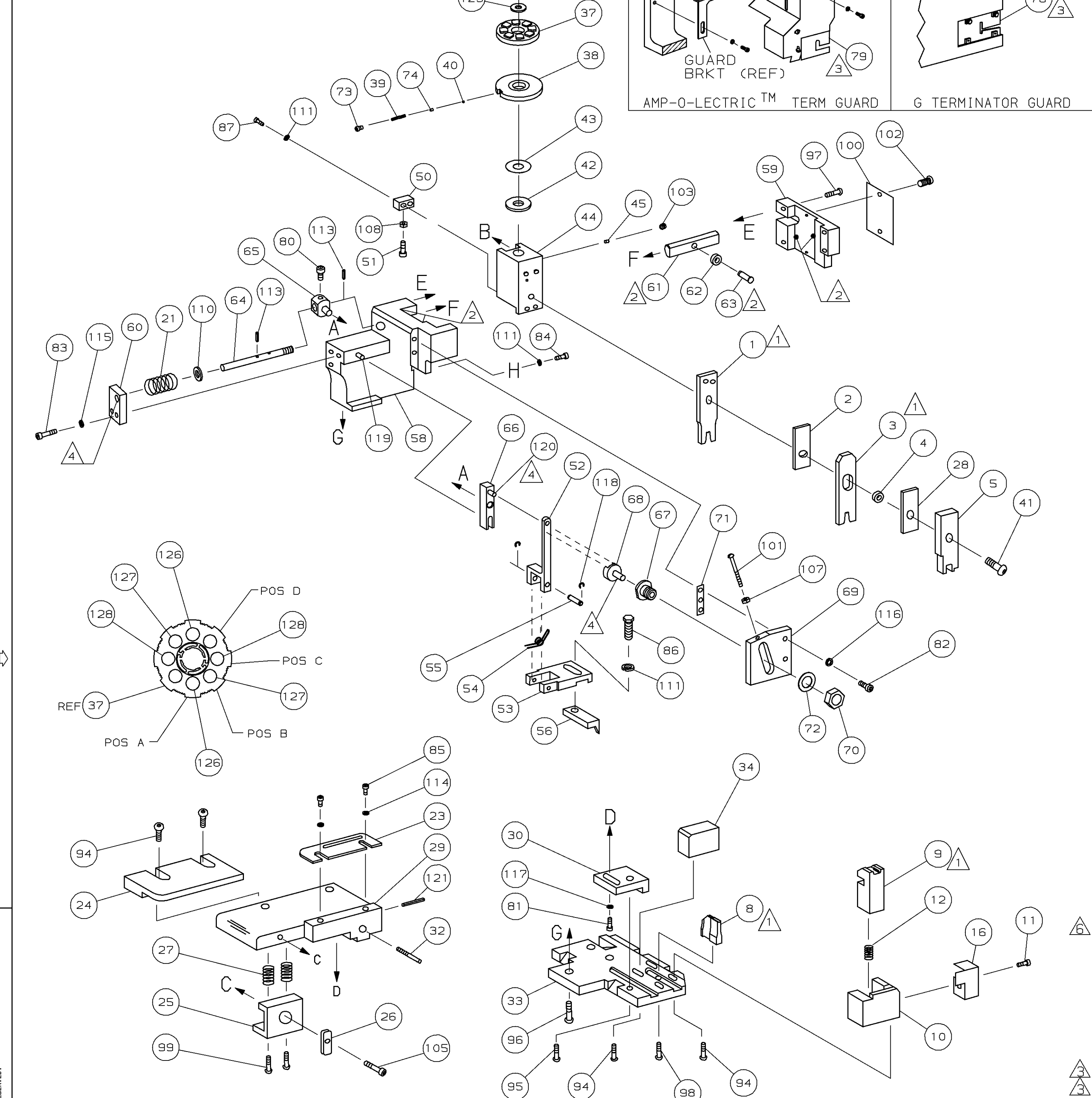


PART NUMBER	REV	FIRST USED
680753-1	A	122500-1
680753-2	A	565435-5
680753-3	A	354500-1



- 1 RECOMMENDED SPARE PARTS.
- 2 GREASE LIGHTLY.
- 3 GUARD MUST BE IN PLACE WHEN OPERATING APPLICATOR IN A BENCH MACHINE.
- 4 LUBRICATE DAILY USING NO. 20 MACHINE OIL.
- 5. ITEMS WITH QTY OF REF SPECIFIED (EXCEPT ITEMS 78 AND 79) ARE USED ON ITEM 46.
- 6 CUT TO LENGTH AT ASSY

TERMINAL NAME: 4.8MM TAB W/DOUBLE LOCKING LANCE			
962905	CRIMP DATA	(AMP TERMINAL)	
PAD LTR	CRIMP HEIGHT	WIRE SIZE	
A	.061 ±.002 [1.56 ±0.05mm]	1mm ²	
B	.058 ±.002 [1.47 ±0.05mm]	.75mm ²	
C	.054 ±.002 [1.38 ±0.05mm]	.50mm ²	
D	NOT	USED	
CRIMP	SIZE	TYPE	RANGE
WIRE	.080 [2.03mm]	F	0.5-1mm ²
INSUL	.250 [6.35mm]	0	ø6mm

QTY REQD PER ASSY	TERM	APPL	SPEC	FEED	APPL INSTRUCTION	SET UP GAGE	LAYOUT	ITEM NO
.188-.219	NONE		.846		408-8040	458637-1	L2178	129
2	2	2	-	C	2-354779-0			PIN, WIRE DISC (.3090)C 128
2	2	2	-	C	1-345779-2			PIN, WIRE DISC (.3050)B 127
2	2	2	-	C	354779-6			PIN, WIRE DISC (.3020)A 126
1	1	1	-	A	986950-1			WASHER, FLAT PRECISION 125
1	1	1	-	A	217238-1			GENERAL INSTRUCTION PACKAGE 124
1	1	1	-	-	4088040			SF APPL INST 408-8040 123
1	1	1	-	A	4-21028-0			PIN,SLT SPR(ø.093x.75)ST GDE PL 121
REF	REF	REF	-	A	1-21030-1			PIN,DOWL(ø.187x.50)LEVER 120
REF	REF	REF	-	A	1-21030-6			PIN,DOWL(ø.187x1.25)HOUSING 119
REF	REF	REF	-	A	21045-3			RING,RET "C"(ø.187)FD FING PIN 118
1	1	1	-	A	21024-5			WASHER, LOCK (#10)ADJ BLOCK 117
REF	REF	REF	-	A	21024-5			WASHER, LOCK (#10)ADJ PLATE 116
REF	REF	REF	-	A	21024-5			WASHER, LOCK (#10)FEED GDE ROD 115
2	2	2	-	A	21024-2			WASHER, LOCK (#4)FRONT STP GUIDE 114
REF	REF	REF	-	A	5-21028-1			PIN,SLT SPR(ø.125x.50)ADJ ROD 113
4	4	4	-	A	21024-4			WASHER, LOCK (#8)STRIPPER 111
REF	REF	REF	-	A	21899-4			WASHER, FLAT(ø5/16)SCREW ADJ 110
1	1	1	-	A	21018-5			NUT, HEX(NO. 6)HOLDDOWN 109
REF	REF	REF	-	A	21068-5			NUT, HEX(6-32)FEED ADJ 107
1	1	1	-	A	22353-8			SCR,SHLD(ø.187x.25)DRAG LEVER 105
1	1	1	-	A	992031-1			PIN, CLEVIS 104
1	1	1	-	A	21009-2			SCR,SKT SET(1/4-20x.25 LW)RAM 103
2	2	2	-	A	21017-2			SCR,DRIVE(#2x.19)ID PLATE 102
REF	REF	REF	-	A	6-23715-5			SCR,PAN HD(6-32x1.50)FEED ADJ 101
1	1	1	-	B	461264-1			PLATE, IDENTIFICATION 100
2	2	2	-	A	3-21002-0			SCR,BHC(10-32x.88)DRAG 99
1	1	1	-	A	22733-8			SCR,BHC(8-32x.38 LW)ANVIL 98
REF	REF	REF	-	A	2-21002-9			SCR,BHC(10-32x.75)CAP 97
REF	REF	REF	-	A	2-22733-8			SCR,BHC(1/4-20x.62)HOUSING 96
REF	REF	REF	-	A	2-21002-7			SCR,BHC(10-32x.50)SG ADJ BLOCK 95
6	6	6	-	A	2-21002-2			SCR,BHC(8-32x.50)TERM H DWN 94
1	1	1	-	A	1-21002-7			SCR,BHC(6-32x.38)CAM 91
1	1	1	-	A	7-21000-9			SCR,SHC(4-40x.19)STRIPPER 89
2	2	2	-	A	2-21000-7			SCR,SHC(8-32x.48)DEP-HOLD 87
1	1	1	-	A	2-22603-0			SCR,HEX HD(8-32x.31)FEED FINGER 86
2	2	2	-	A	1-21000-3			SCR,SHC(4-40x.25)F ST GUIDE 85
1	1	1	-	A	2-21000-7			SCR,SHC(8-32x.50)STRIPPER 84
REF	REF	REF	-	A	3-21000-7			SCR,SHC(10-32x.75)FEED ROD GD 83
REF	REF	REF	-	A	3-21000-6			SCR,SHC(10-32x.62)FD ADJ BLK 82
1	1	1	-	A	3-21000-4			SCR,SHC(10-32x.38)SG ADJ BL 81
REF	REF	REF	-	A	3-21000-4			SCR,SHC(10-32x.38)PIVOT BLK 80
-	REF	-	-	B	455749-1			GUARD, WINDOW 79
REF	-	-	-	B	679532-1			INSERT, GUARD 78
1	1	1	-	A	690603-1			SPRING, ASSIST 74
1	1	1	-	A	23030-1			SCR,SHC(6-32x.25 SL)INS DISC 73
REF	REF	REF	-	A	458109-1			WASHER, SPECIAL 72
REF	REF	REF	-	A	690517-1			SPACER 71

QTY REQD PER ASSY	TERM	APPL	SPEC	FEED	APPL INSTRUCTION	SET UP GAGE	LAYOUT	ITEM NO
-1								LEADMAKER
-2								BENCH MODEL K
-3								BENCH MODEL G
REF	REF	REF	-	B	22594-8			NUT, HEX(1/2-20) 70
REF	REF	REF	-	B	240628-1			PLATE, ADJUSTMENT 69
REF	REF	REF	-	B	240626-1			SHAFT, PIVOT 68
REF	REF	REF	-	B	240633-1			BUSHING 67
REF	REF	REF	-	A	455680-1			LEVER, INTERMEDIATE 66
REF	REF	REF	-	B	240629-1			BLOCK, PIVOT 65
REF	REF	REF	-	A	240632-2			SCREW, ADJ FEED ROD 64
REF	REF	REF	-	B	240659-3			PIN, CAM ROLLER 63
REF	REF	REF	-	B	240658-1			ROLLER, CAM 62
REF	REF	REF	-	B	454398-2			ROD, FEED 61
REF	REF	REF	-	A	454178-1			GUIDE, FEED ROD 60
REF	REF	REF	-	C	454220-1			CAP, RAM 59
REF	REF	REF	-	D	454485-1			HOUSING 58
1	1	1	-	B	1-694433-6			PAWL, FEED 56
REF	REF	REF	-	B	240624-1			PIN, FEED FINGER 55
REF	REF	REF	-	B	691499-1			SPRING, FEED FINGER 54
REF	REF	REF	-	B	690541-1			HOLDER, FEED FINGER 53
REF	REF	REF	-	A	455679-2			LEVER, TERMINAL FEED ARM 52
1	1	1	-	A	811242-2			BUMPER, HOLDDOWN 51
1	1	1	-	A	690753-1			SPACER, TONKER 50
1	-	-	-	B	690602-6			CAM, PRE-FEED 1 5/8 ST 49
-	1	-	-	B	690602-5			CAM, PRE-FEED 1 1/8 ST 48
-	-	-	-	B	690501-4			CAM, POST-FEED 1 5/8 ST 47
1	1	1	-	B	459456-2			APPLICATOR, BASIC (SUBASSY) 46
1	1	1	-	A	690191-1			PLUG, NYLON 45
1	1	1	-	C	819307-5			RAM 44
1	1	1	-	A	690125-1			WASHER, LAMINATED 43
1	1	1	-	A	690124-1			WASHER, RAM 42
1	1	1	-	A	7-21002-9			BOLT, CRIMPER(5/16x1.00) 41
1	1	1	-	A	23241-6			BALL, STEEL 40
1	1	1	-	A	690170-1			SPRING, COMPRESSION 39
1	1	1	-	C	690142-1			DISC, INSULATION 38
1	1	1	-	D	354777-1			WIRE DISC, PLASTIC 37
1	1	1	-	A	22480-5			WASHER, SPRING 36
1	1	1	-	B	690212-1			POST, RAM 35
1	1	1	-	B	690786-3			SUPPORT, TERMINAL 34
REF	REF	REF	-	D	455675-1			PLATE, BASE 33
1	1	1	-	A	690432-3			SCREW, ADJUSTMENT 32
REF	REF	REF	-	B	455689-1			BLOCK, STRIP GUIDE ADJ 30
1	1	1	-	C	3-458144-4			PLATE, STRIP GUIDE 29
1	1	1	-	C	1-455888-7			SPACER, FRONT SHEAR DEP 28
2	2	2	-	A	1-22284-0			SPRING, DRAG 27
1	1	1	-	B	240793-1			LEVER, DRAG RELEASE 26
1	1	1	-	B	240792-1			DRAG, TERMINAL 25
1	1	1	-	C	9-690504-4			GUIDE, STRIP (REAR) 24
1	1	1	-	A	690438-1			GUIDE, STRIP (FRONT) 23
-	-	1	-	B	690472-2			STRIPPER 22
REF	REF	REF	-	A	4-22284-9			SPRING, FEED RETURN 21
1	1	1	-	A	679218-1			STRIPPER WIRE STOP ASSY 20
1	1	1	-	B	458949-1			STRIPPER 19
1	1	1	-	B	318563-1			GUARD, CHIP, FRONT 16
1	1	1	-	A	5-22280-0			SPRING, SHEAR 12
1	1	1	-	B	690461-2			STOP, SHEAR 11
1	1	1	-	C	1-690459-0			HOLDER, SHEAR (FRONT) 10
1	1	1	-	C	454276-5			SHEAR, FLOAT (FRONT) 9
1	1	1	-	C	2-662186-4			ANVIL 8
1	1	1	-	C	1-455889-8			DEPRESSOR, SHEAR (FRONT) 5
1	1	1	-	B	3-238011-0			SPACER, BLOCK CRIMPER 4
1	1	1	-	C	1-904741-0			CRIMPER, INSULATION 3
1	1	1	-	C	455888-5			SPACER, CRIMPER 2
1	1	1	-	C	1-456405-6			CRIMPER, WIRE 1

REVISION OF EACH ASSY NO (WHEN BLANK, USE DWG REVISION)

QTY REQD PER ASSY	TERM	APPL	SPEC	FEED	APPL INSTRUCTION	SET UP GAGE	LAYOUT	ITEM NO
-3	-2	-1	U/M	DWG SIZE	PART NO	DESCRIPTION	ITEM NO	

REVISIONS:

- 1 REVISION
- 2 REVISION
- 3 REVISION
- 4 REVISION
- 5 REVISION
- 6 REVISION
- 7 REVISION
- 8 REVISION
- 9 REVISION
- 10 REVISION
- 11 REVISION
- 12 REVISION
- 13 REVISION
- 14 REVISION
- 15 REVISION
- 16 REVISION
- 17 REVISION
- 18 REVISION
- 19 REVISION
- 20 REVISION
- 21 REVISION
- 22 REVISION
- 23 REVISION
- 24 REVISION
- 25 REVISION
- 26 REVISION
- 27 REVISION
- 28 REVISION
- 29 REVISION
- 30 REVISION
- 31 REVISION
- 32 REVISION
- 33 REVISION
- 34 REVISION
- 35 REVISION
- 36 REVISION
- 37 REVISION
- 38 REVISION
- 39 REVISION
- 40 REVISION
- 41 REVISION
- 42 REVISION
- 43 REVISION
- 44 REVISION
- 45 REVISION
- 46 REVISION
- 47