

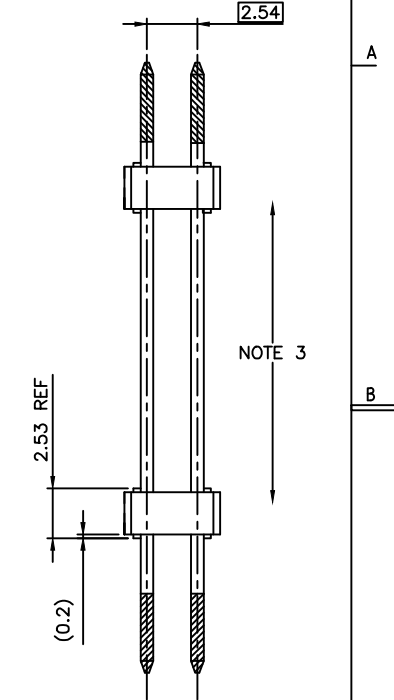
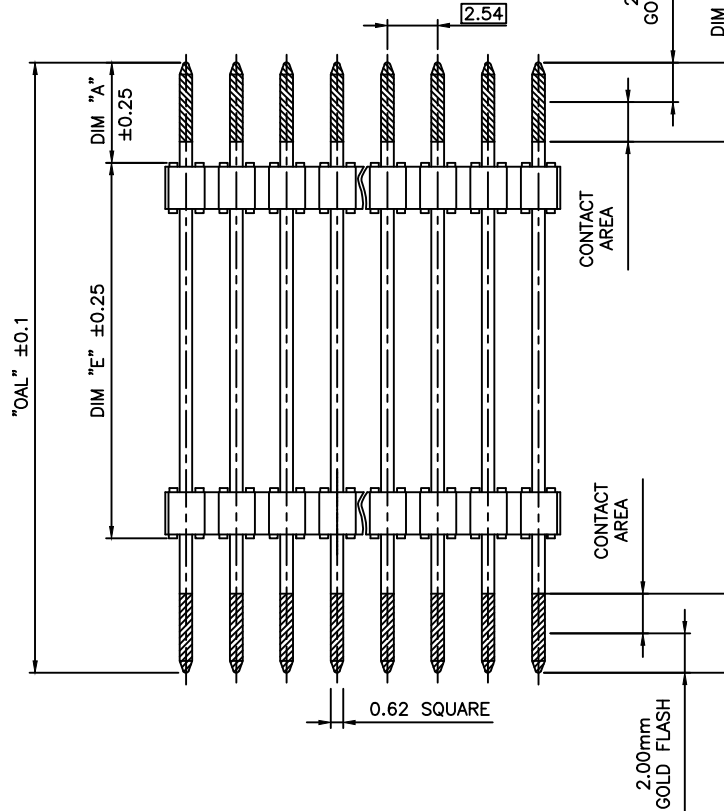
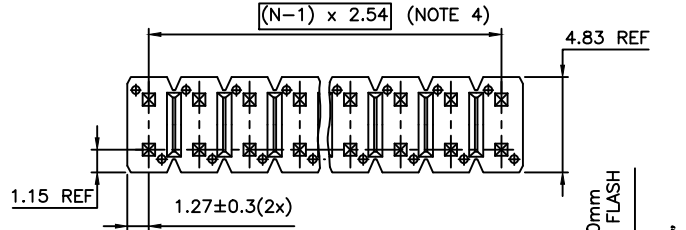
PRODUCT NUMBER
54776-XXX-XXLF

PLATING

- 1 = 0.76µm GOLD/GXT ON CONTACT AREA OVER 1.27µm NICKEL MIN
- 6 = 0.76µm GXT (PdNi WITH GOLD FLASH) ON CONTACT AREAS OVER 1.27µm NICKEL MIN (ALTERNATIVE 0.76µm GOLD/GXT ON CONTACT AREAS)
- 5 = 0.38µm GXT (PdNi WITH GOLD FLASH) ON CONTACT AREAS OVER 1.27µm NICKEL MIN (ALTERNATIVE 0.38µm GOLD/GXT ON CONTACT AREAS)

RoHS COMPATIBLE, SEE NOTE 6

TOTAL NB OF POSITIONS
04 TO 72



PIN STYLE	DIM "A"	DIM "E"	"OAL"	DIM "F"	DIM "G"
01	4.8	21.0	35.8	4.0 MIN	4.0 MIN
02	4.8	24.5	38.4	4.0 MIN	4.0 MIN
03	5.8	16.0	31.1	4.0 MIN	4.0 MIN
04	SEE DIMENSIONS ON SHEET 2			6.0 MIN	6.0 MIN
05	8.5	15.0	35.8	6.5 MIN	8.0 MIN
06	9.6	16.0	35.9	6.0 MIN	6.0 MIN
07	8.05	15.0	31.1	4.0 MIN	4.0 MIN
08	5.70	19.1	34.1	4.0 MIN	4.0 MIN
09	8.75	16.36	31.0	4.0 MIN	4.0 MIN
10	8.30	9.90	26.50	4.0 MIN	4.0 MIN
11	6.10	6.10	18.55	4.0 MIN	4.0 MIN
12	5.60	25.5	36.66	4.0 MIN	4.0 MIN
13	4.70	21.70	31.10	4.0 MIN	4.0 MIN

NOTES:

1. HOUSING MAT'L : HIGH TEMPERATURE THERMOPLASTIC. UL94V-0 COLOR: BLACK
2. PIN MATERIAL : PHOSPHOR BRONZE
3. 9N MIN RETENTION IN EITHER DIRECTION
4. TO DETERMINE DIMENSIONS :
N = NUMBER OF POSITIONS PER ROW
EXAMPLE : 8 POS PER ROW, N x 2.54 = 20.32mm
5. STANDARD PACKAGING IN POLYBAG
6. RoHS COMPATIBLE PRODUCT SPECIFICATIONS
 - a - PLATING:
 - "LF" MEANS THE PRODUCT IS LEAD-FREE,
 - b - MANUFACTURING PROCESS COMPATIBILITY
 - THE HOUSING WILL WITHSTAND EXPOSURE TO 260°C ±5°C SOLDER BATH TEMPERATURE FOR 5 SECONDS IN A WAVE SOLDER APPLICATION WITH A 1.6mm MIN THICK CIRCUIT BOARD.
 - c - LABELING:
 - MEETS PACKAGING SPECS AS PER GS-14-920
 - d - LEGAL STATEMENT: SEE GS-47-0004

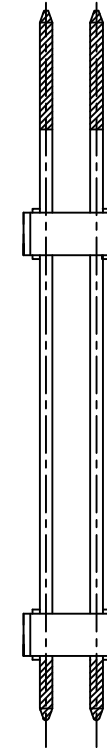
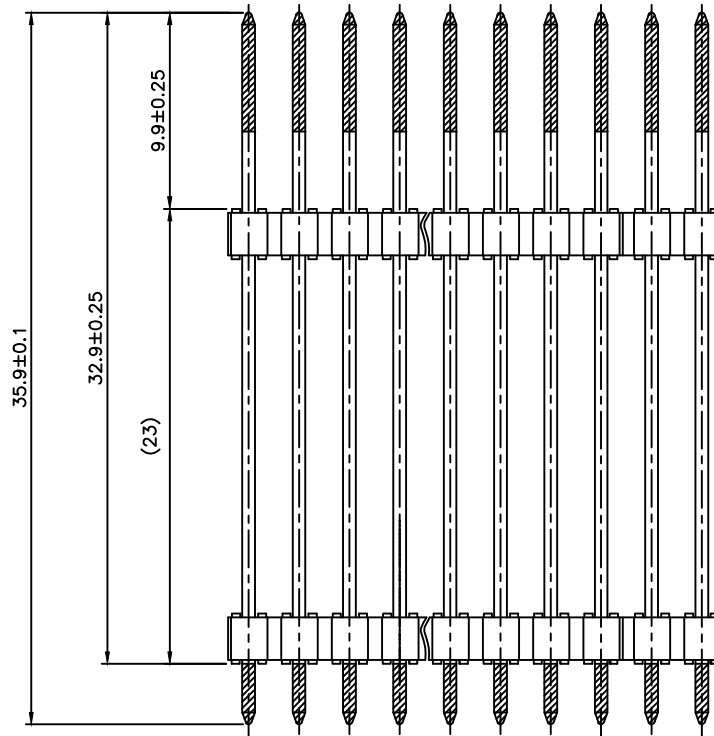
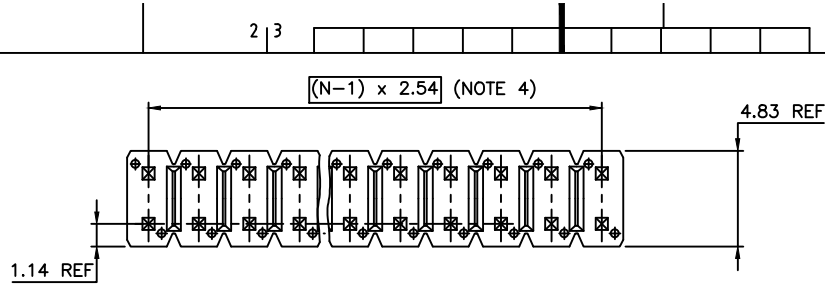
mat'l. code		surface		tolerance		projection		product family	
		ISO 1302		ISO 406 ISO 1101		mm		BERGSTIK	
ltr		ecn no		dr		date		title	
R		B-20584		AMA		15.03.27		HEADER DR	
S		F-21681		AMA		15.08.17		DOUBLE BODY TRIPLEX	
T		F-23743		AMA		16.04.05		dwg no	
U		F-24736		LMU		16.08.16		sheet 1 of 2	
N		B-19264		LMU		14.11.03		size	
P		B-19782		AMA		14.12.16		A3	
sheet index		revision sheet		U A				type	
		1 2						CUSTOMER Drawing	



Copyright FCI

PRODUCT DIMENSIONS
FOR REFERENCES

54776-604-06LF
54776-604-20LF



Copyright FCI

mat'l. code		surface		tolerance		projection		product family	
		ISO 1302		ISO 406 ISO 1101				BERGSTIK	
ltr	ecn no	dr	date	tolerances unless otherwise specified		mm		title	
A	F08.0116	JCO	08.02.24	angles				HEADER DR	
				Linear		scale 5:1		DOUBLE BODY TRIPLEX	
				dr	LMU	08.01.15		dwg no	sheet 2 of - size
				enr	J COMPAGNON	08.01.15		54776	A3
				chr				type CUSTOMER Drawing	
				appd					
sheet index	revision sheet								