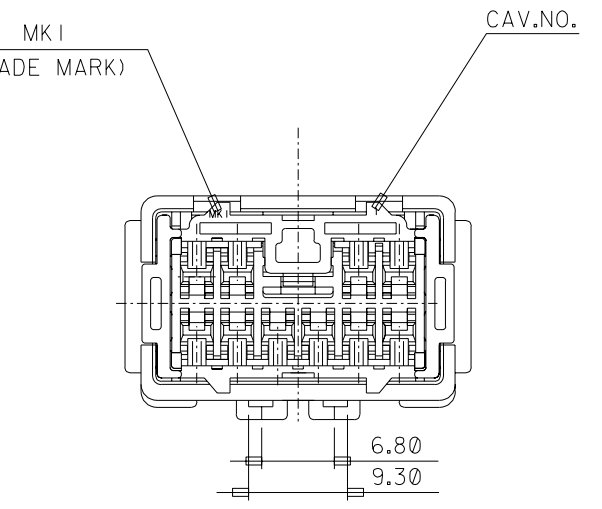
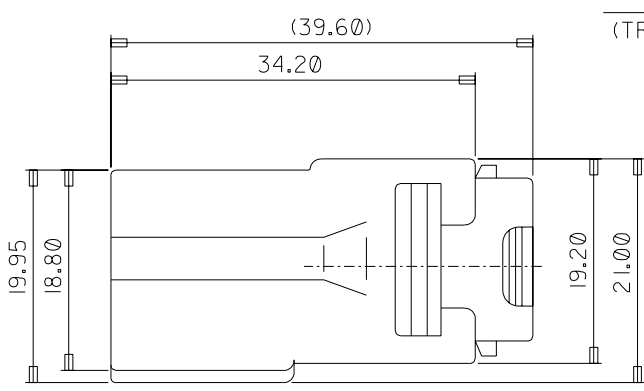
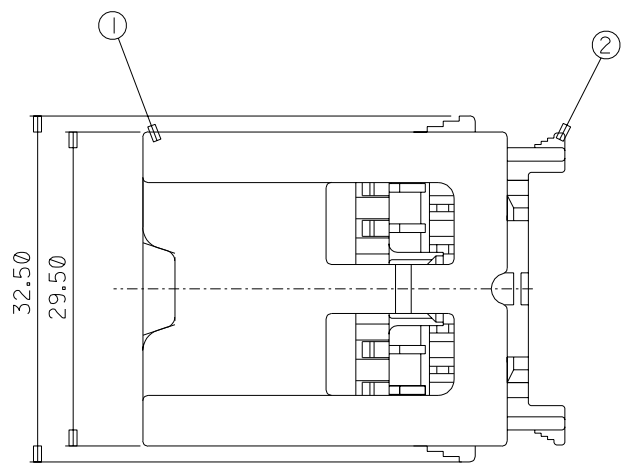
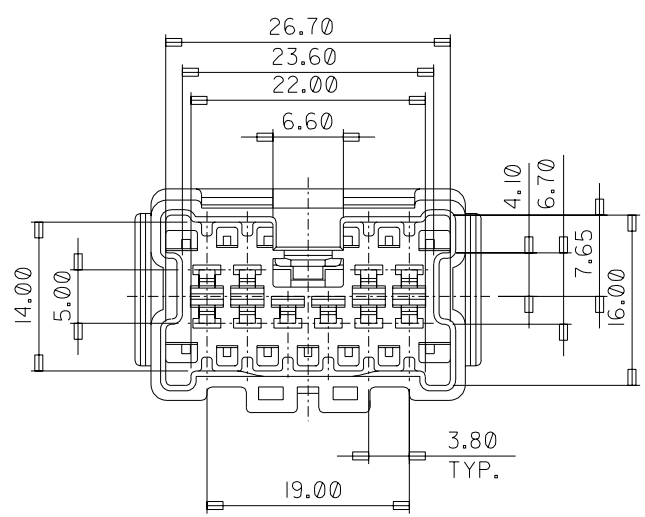


DO NOT SCALE DRAWING  
DIMENSION IN METRIC

PROJECT NO. SIMILAR ITEM DWG. NO. SD-35282-1010



ASS'Y NO.		MATERIAL NO.	PART NAME	COLOR	MATERIAL
35282-1010	①	352821090	090 W/W MALE HOUSING-10P	NATURAL	POLYESTER (PBT)
	②	352831081	090 W/W MALE TPA-10P	BLACK	
35282-1013	①	352821093	090 W/W MALE HOUSING-10P	YELLOW	
	②	352831081	090 W/W MALE TPA-10P	BLACK	

REVISED EC NO. KOR2003-0857 DRWN: S.M.KIM 03/09/10 CHKR: C.YOON 03/09/10 APPR: G.LEE	DESCRIPTION MAJOR CRITICAL	QUALITY SYMBOLS	GENERAL TOLERANCES: (UNLESS SPECIFIED)	SCALE 1:1	DESIGN UNITS <input checked="" type="checkbox"/> mm <input type="checkbox"/> INCH	DIMENSIONS: <input type="checkbox"/> mm <input type="checkbox"/> INCH <input checked="" type="checkbox"/> mm ONLY	SHT	REV		
		4 PLACES ±0.1	3 PLACES ±0.1	2 PLACES ±0.1	1 PLACE ±0.30	ANGULAR: ±1.0°	DRAWN BY & DATE W.Y. YANG, 97/11/17		TITLE: UNICONN MALE ASS'Y-10P	
C	REV	DRAFT WHERE APPLICABLE MUST REMAIN WITHIN DIMENSIONS		CAD FILENAME SD2821010.DGN		MATERIAL NO. SEE TABLE		DRAWING NO. SD 35282-1010	SHEET NO. 1/1	SIZE C

MOLEX INCORPORATED

THIS DRAWING CONTAINS INFORMATION THAT IS PROPRIETARY TO MOLEX INCORPORATED AND SHOULD NOT BE USED WITHOUT WRITTEN PERMISSION.