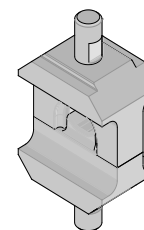


**Crimp Tool Kit  
For Imperium Max**



**Application Tooling  
Specification Sheet**



**Order No. 19290-0600**

**SCOPE**

**Tooling:** Shank style Crimp Tool Kits are used with the Hydraulic Head Crimper with the Air/Hydraulic Pump (19286-1000). Refer to the appropriate tool instruction manual for installation and operation information.

**Products:** Imperium Max6 Pin Terminals to 2 AWG bare copper wire.

**NOTE:** Different terminals are listed for 2 AWG Bare Copper wire. Refer to the Product part number charts on this sheet for terminals.

**Testing**

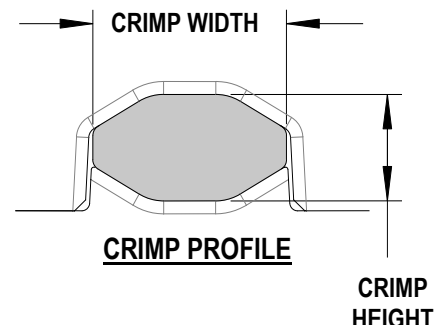
The tensile test or pull test is a means of evaluating the mechanical properties of the crimped connections. The following chart shows the specifications for the wire size. The tensile strength is shown in Newtons and (pounds) and indicates the minimum acceptable force to break or separate the terminal from the conductor.

Wire Size (AWG)	Minimum Pull (UL 486)
2	801N (180 lbs.)

**Crimp measurement**

After crimping, the terminal crimp profiles should measure the following:

Terminal Series No.	Wire Size		Crimp Height (Ref)		Crimp Width (Ref)	
	AWG	Wire Style	mm	In.	mm	In.
173048-2001	2	Bare Copper	5.95-6.15	.234-.242	9.65-9.80	.380-.386



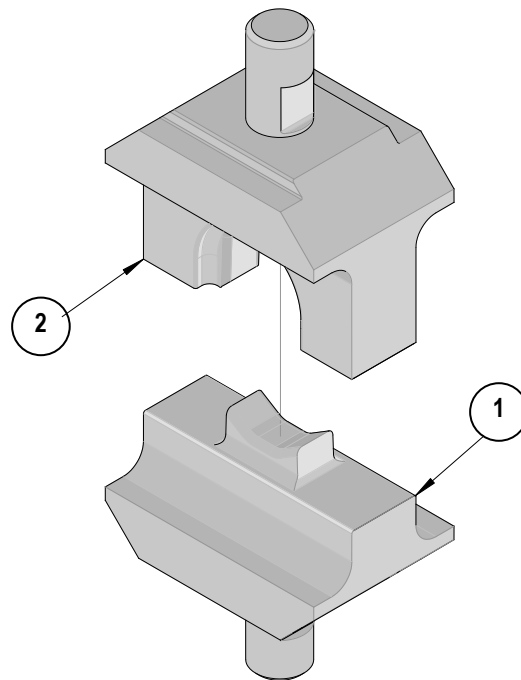
The following is a Partial List of the Product Part Numbers and their specifications that this tooling is designed to crimp. We will be adding to this list and an up to date copy is available on [www.molex.com](http://www.molex.com).

Terminal Series	Terminal No.	Wire Size (AWG)	Wire Strands / AWG	Wire Strip Length	
				In	mm
173048	173048-2001	2 (Bare)	665 / 30	0.87	22

**CAUTION: Molex crimp specifications are valid only when used with Molex terminals and tooling.**

## Parts List

Item	Order No.	Description	Qty
	<b>19290-0600</b>	<b>Crimp Tooling Kit</b>	<b>REF</b>
1	19290-0601	Conductor Anvil	1
2	19290-0602	Conductor Punch	1



Visit our Web site at <http://www.molex.com>