

NOTES:

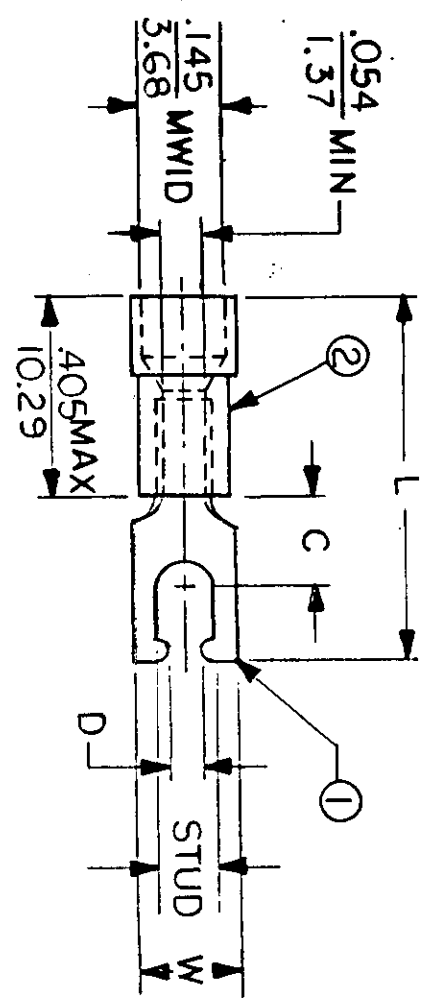
- ① MAT'L: COPPER (STOCK TKN. $\frac{0.31}{.79}$)
- PLATING: ELECTRO-TIN (.0003 MIN.)
- ② INSULATION: MOLDED PVC (RED)

STUD SIZES: ($\pm .005$)

- 02 = .094
- 04 = .119
- 06 = .146
- 08 = .173
- 10 = .198
- 14 = .265
- 56 = .328
- 38 = .390

"UL" LISTING #E32244
 "CSA" LISTING #18689

ALL DIMENSIONS = $\frac{\text{INCHES}}{M}$

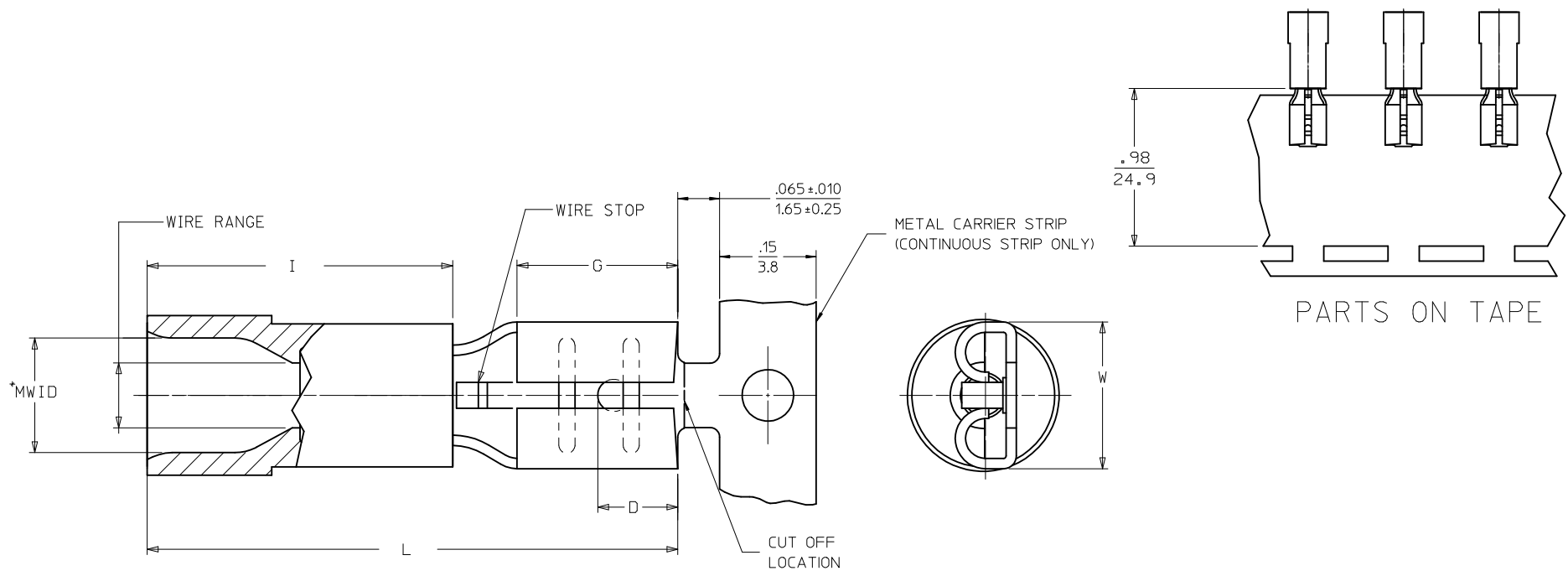


MWID = MAXIMUM WIRE
 INSULATION DIAMETER
 WIRE SIZE: 22 - 18 AWG
 WIRE SIZE: .25 - 1.5 MM²

PART NUMBER	"W" INCHES	"C" MIN.	"L" MAX.	"D" $\pm .005$	AVAILABLE STUD SIZES	DIMENSIONAL TOLERANCES UNLESS OTHERWISE SPECIFIED		SCALE:	NTS	DATE	TITLE:	DWG. NO.	CUSTOMER DWG.
						FRAC.	DEC.						
AA-2190-	$\frac{.260}{6.60}$	$\frac{.235}{5.95}$	$\frac{.870}{22.10}$	$\frac{.111}{2.82}$	06X					11.5.84	SNAP SPADE TONGUE TERMINAL INSULKRIMP 200 SERIES	A	
AA-2191-	$\frac{.290}{7.37}$	$\frac{.235}{5.95}$	$\frac{.880}{22.35}$	$\frac{.137}{3.48}$	08X								
AA-2192-	$\frac{.328}{8.33}$	$\frac{.235}{5.95}$	$\frac{.930}{23.62}$	$\frac{.163}{4.14}$	10X								



LOOSE PIECE		TAPE MOUNTED		CONTINUOUS STRIP		SPECIFICATIONS											
MATERIAL NUMBER	ENGINEERING NUMBER	MATERIAL NUMBER	ENGINEERING NUMBER	MATERIAL NUMBER	ENGINEERING NUMBER	INS. COLOR	WIRE AWG	RANGE	MM ²	FITS MALE TAB SIZE	STOCK THICKNESS	"L" MAX.	"I" MAX.	"W" MAX.	"D" ±.01	"G" NOM.	MWID
190170014	AA-2140	190170017	AA-2140T	190170022	AAZ-2140	RED	22-18	0.25-1.5	.250x.032/6.35x0.81	.250x.032/6.35x0.81	.016/0.41	.865/21.97	.42/10.7	.31/7.9	.156/3.96	.31/7.9	.13/3.3
190170037	BB-2141	190170041	BB-2141T	190170074	BBZ-2141	BLUE	16-14	1.0-2.5	.250x.032/6.35x0.81	.250x.032/6.35x0.81	.016/0.41	.865/21.97	.42/10.7	.31/7.9	.156/3.96	.31/7.9	.14/3.6
190170047	C-2143	190170050	C-2143T	-	-	YELLOW	12-10	4.0-6.0	.250x.032/6.35x0.81	.250x.032/6.35x0.81	.018/0.46	1.011/25.68	.56/14.2	.31/7.9	.156/3.96	.31/7.9	.24/6.1
190170007	AA-2137	190170012	AA-2137T	190170068	AAZ-2137	RED	22-18	0.25-1.5	.187x.020/4.75x0.51	.187x.020/4.75x0.51	.016/0.41	.789/20.04	.42/10.7	.25/6.4	.125/3.18	.25/6.4	.13/3.3
190170031	BB-2138	190170035	BB-2138T	190170072	BBZ-2138	BLUE	16-14	1.0-2.5	.187x.020/4.75x0.51	.187x.020/4.75x0.51	.016/0.41	.789/20.04	.42/10.7	.25/6.4	.125/3.18	.25/6.4	.14/3.6
190170008	AA-2137-032	190170009	AA-2137-032T	190170069	AAZ-2137-032	BRIGHT RED (A)	22-18	0.25-1.5	.187x.032/4.75x0.81	.187x.032/4.75x0.81	.016/0.41	.789/20.04	.42/10.7	.25/6.4	.125/3.18	.25/6.4	.13/3.3
190170032	BB-2138-032	-	-	190170073	BBZ-2138-032	BRIGHT BLUE (A)	16-14	1.0-2.5	.187x.032/4.75x0.81	.187x.032/4.75x0.81	.016/0.41	.789/20.04	.42/10.7	.25/6.4	.125/3.18	.25/6.4	.14/3.6
190170001	AA-2131	190170004	AA-2131T	190170066	AAZ-2131	RED	22-18	0.25-1.5	.110x.020/2.80x0.51	.110x.020/2.80x0.51	.012/0.30	.789/20.04	.42/10.7	.17/4.3	.210/5.33	.25/6.4	.13/3.3
190170023	BB-2132	190170026	BB-2132T	190170070	BBZ-2132	BLUE	16-14	1.0-2.5	.110x.020/2.80x0.51	.110x.020/2.80x0.51	.012/0.30	.789/20.04	.42/10.7	.17/4.3	.210/5.33	.25/6.4	.14/3.6
190170005	AA-2134	190170006	AA-2134T	190170067	AAZ-2134	BRIGHT RED (A)	22-18	0.25-1.5	.110x.032/2.80x0.81	.110x.032/2.80x0.81	.012/0.30	.789/20.04	.42/10.7	.17/4.3	.210/5.33	.25/6.4	.13/3.3
190170028	BB-2135	190170029	BB-2135T	190170071	BBZ-2135	BRIGHT BLUE (A)	16-14	1.0-2.5	.110x.032/2.80x0.81	.110x.032/2.80x0.81	.012/0.30	.789/20.04	.42/10.7	.17/4.3	.210/5.33	.25/6.4	.14/3.6
190170018	AA-2190	190170003	AA-2190T	-	-	RED	22-18	0.25-1.5	.205x.020/5.21x0.51	.205x.020/5.21x0.51	.016/0.41	.789/20.04	.42/10.7	.26/6.6	.125/3.18	.25/6.4	.13/3.3
190170043	BB-2191	190170046	BB-2191T	-	-	BLUE	16-14	1.0-2.5	.205x.020/5.21x0.51	.205x.020/5.21x0.51	.016/0.41	.789/20.04	.42/10.7	.26/6.6	.125/3.18	.25/6.4	.14/3.6
190170019	AA-2190-032	-	-	-	-	BRIGHT RED (A)	22-18	0.25-1.5	.205x.032/5.21x0.81	.205x.032/5.21x0.81	.016/0.41	.789/20.04	.42/10.7	.26/6.6	.125/3.18	.25/6.4	.13/3.3
190170044	BB-2191-032	190170016	BB-2191-032T	-	-	BRIGHT BLUE (A)	16-14	1.0-2.5	.205x.032/5.21x0.81	.205x.032/5.21x0.81	.016/0.41	.789/20.04	.42/10.7	.26/6.6	.125/3.18	.25/6.4	.14/3.6



- NOTES:
1. MATERIAL: BRASS TERMINAL
 2. FINISH: ELECTRO-TIN PLATING
 3. INSULATION: MOLDED PVC
 - 4.*MWID=MAXIMUM WIRE INSULATION DIAMETER
 5. PARTS ARE ROHS COMPLIANT.

FERRULE DESCR. CONT P/N EC NO: MNA2011-0346 DRW:ETHRODAHL 2011/04/20 CHKD:JMACNEIL 2011/04/26 APPR:JMACNEIL 2011/07/13	QUALITY SYMBOLS	GENERAL TOLERANCES (UNLESS SPECIFIED)	DIMENSION STYLE	SCALE	DESIGN UNITS	THIRD ANGLE PROJECTION																																			
	▼=0 ▽=0	<table border="1"> <tr> <th></th> <th>mm</th> <th>INCH</th> </tr> <tr> <td>4 PLACES</td> <td>± ---</td> <td>± ---</td> </tr> <tr> <td>3 PLACES</td> <td>± ---</td> <td>± .005</td> </tr> <tr> <td>2 PLACES</td> <td>± 0.13</td> <td>± .010</td> </tr> <tr> <td>1 PLACE</td> <td>± 0.25</td> <td>± .020</td> </tr> <tr> <td colspan="3">ANGULAR ± ---°</td> </tr> </table>		mm	INCH	4 PLACES	± ---	± ---	3 PLACES	± ---	± .005	2 PLACES	± 0.13	± .010	1 PLACE	± 0.25	± .020	ANGULAR ± ---°			<table border="1"> <tr> <th colspan="2">IN/MM</th> </tr> <tr> <td>DRAWN BY</td> <td>DATE</td> </tr> <tr> <td>ETHRODAHL</td> <td>2011/04/20</td> </tr> <tr> <td>CHECKED BY</td> <td>DATE</td> </tr> <tr> <td>JMACNEIL</td> <td>2011/04/26</td> </tr> <tr> <td>APPROVED BY</td> <td>DATE</td> </tr> <tr> <td>JMACNEIL</td> <td>2011/07/13</td> </tr> </table>	IN/MM		DRAWN BY	DATE	ETHRODAHL	2011/04/20	CHECKED BY	DATE	JMACNEIL	2011/04/26	APPROVED BY	DATE	JMACNEIL	2011/07/13	---	INCH	<table border="1"> <tr> <td>TITLE</td> </tr> <tr> <td>QUICK DISCONNECT PARTIALLY INSULATED INSULKRIMP</td> </tr> <tr> <td>MOLEX MOLEX INCORPORATED</td> </tr> </table>	TITLE	QUICK DISCONNECT PARTIALLY INSULATED INSULKRIMP	MOLEX MOLEX INCORPORATED
		mm	INCH																																						
	4 PLACES	± ---	± ---																																						
3 PLACES	± ---	± .005																																							
2 PLACES	± 0.13	± .010																																							
1 PLACE	± 0.25	± .020																																							
ANGULAR ± ---°																																									
IN/MM																																									
DRAWN BY	DATE																																								
ETHRODAHL	2011/04/20																																								
CHECKED BY	DATE																																								
JMACNEIL	2011/04/26																																								
APPROVED BY	DATE																																								
JMACNEIL	2011/07/13																																								
TITLE																																									
QUICK DISCONNECT PARTIALLY INSULATED INSULKRIMP																																									
MOLEX MOLEX INCORPORATED																																									
DRAFT WHERE APPLICABLE MUST REMAIN WITHIN DIMENSIONS	MATERIAL NO. SEE CHART	DOCUMENT NO. SD-19017-003	SHEET NO. 1 OF 1																																						
THIS DRAWING CONTAINS INFORMATION THAT IS PROPRIETARY TO MOLEX INCORPORATED AND SHOULD NOT BE USED WITHOUT WRITTEN PERMISSION																																									