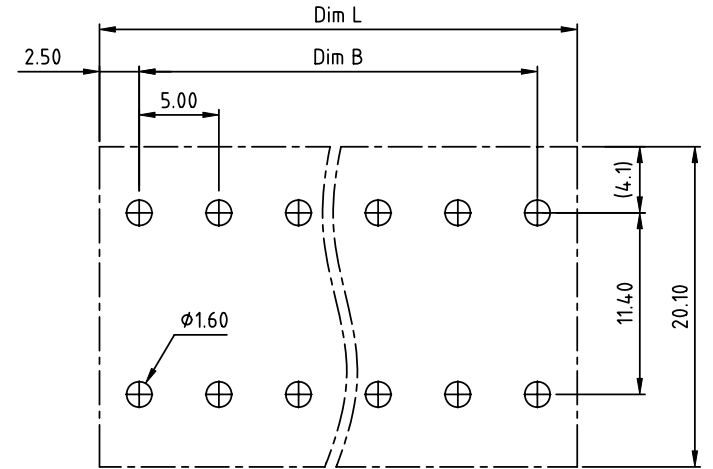
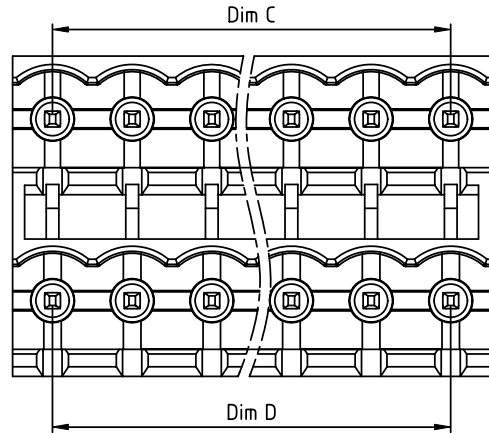
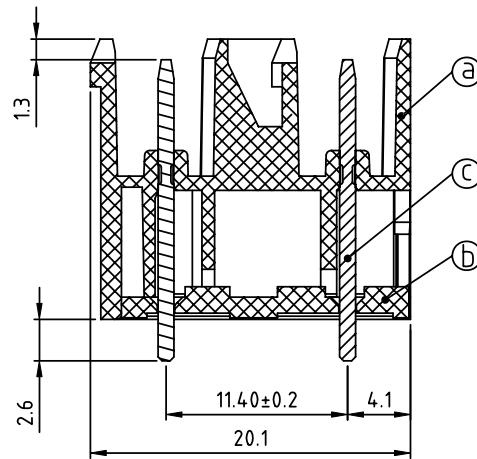
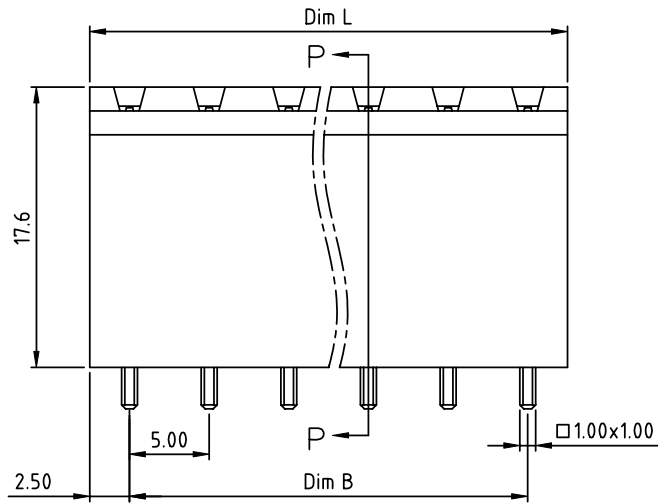


PRODUCT NUMBER	PITCH
KExx74x200J0G	5.00 mm



RECOMMENDED P.C.B LAYOUT  
TOP VIEW



SECTION P-P

Material:

- Item (a) Terminal(housing): Thermoplastic (UL94 V-0)
- Item (b) Terminal(cover): Thermoplastic (UL94 V-0)
- Item (c) Pin : Copper Tin plated

Electrical:

- Voltage rating: 300V
- Current rating: 12A
- Withstanding Voltage: 1.6KV
- Operating temperature: -40°C to +115°C
- Soldering temperature: 260°C±5°C/5 Sec
- Safety Approval: cULus

N=Number of poles  
 Dim L=N/2×5.0  
 Dim B=(N/2-1)×5.0  
 Dim C=(N/2-1)×5.0  
 Dim D=(N/2-1)×5.0

Poles	Tolerance
2×2P-2×6P	±0.15
2×7P-2×12P	±0.25
2×13P-2×18P	±0.35
2×19P-2×24P	±0.40

PART NO.: KE xx 7 4 x 2 00J0 G

- Solid block
  - No. of poles
  - Color
  - RoHS compliant (lead<4% In copper Alloy)
- |              |   |                   |
|--------------|---|-------------------|
| 04 2x2poles  | 3 | Orange(RAL2011/P) |
| 06 2x3poles  | 4 | Yellow(RAL1018/A) |
| ... ..       | 5 | Green(RAL6018/T)  |
| 48 2x24poles | 6 | Blue (RAL5015/A)  |
|              | 8 | Grey(RAL7035/D)   |
|              | 9 | White(RAL1102)    |
|              | C | Green(RAL6018/U)  |

mat'l. code		surface ASME Y14.5	tolerance ASME Y14.5	projection	product family TERMINAL BLOCK
ltr	ecn no	dr	date	 MM	title TERMINAL BLOCK PLUGGABLE SOCKET, OPEN VERTICAL
		angles	$X \pm 0.5$ $X.X \pm 0.3$ $X.XX \pm 0.1$	scale	dwg no KExx74x200J0G
		dr	EVIN ZHONG 042414		sheet 1 of 1 size A4
		enr	EVIN ZHONG 042414		
		chr	HANKE FENG 042414		
		appd	SHI JUN 042414		
sheet index	revision sheet	A	1		type CUSTOMER Drawing