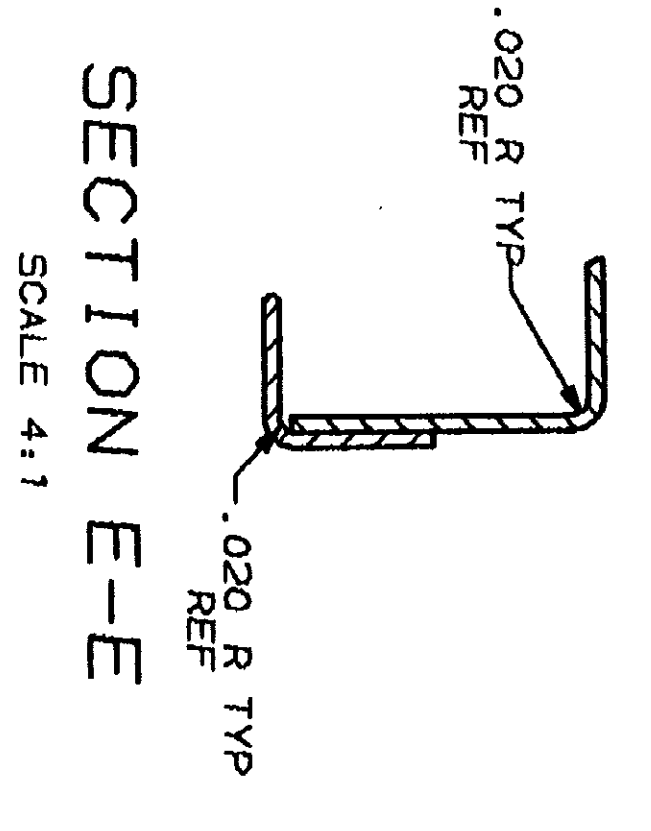
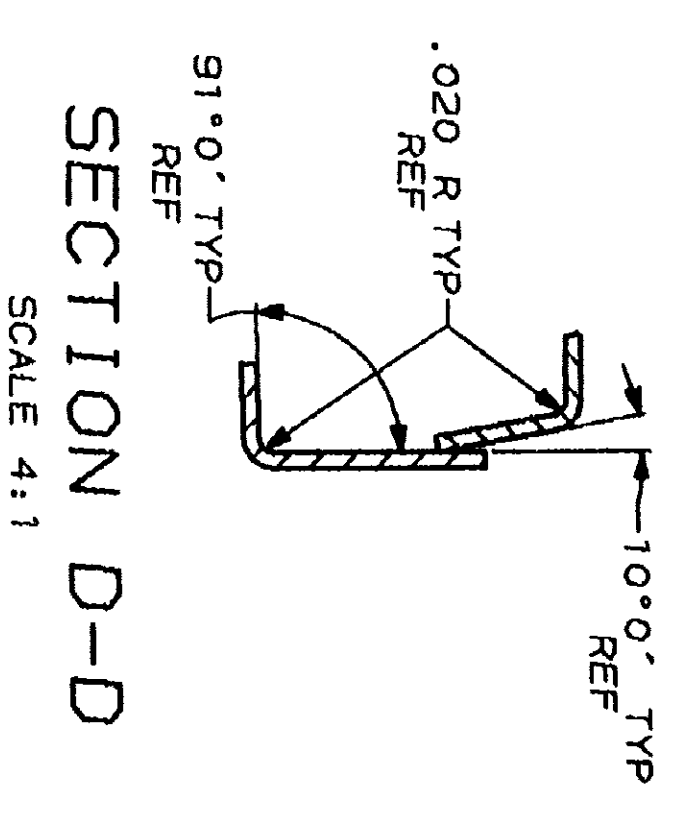
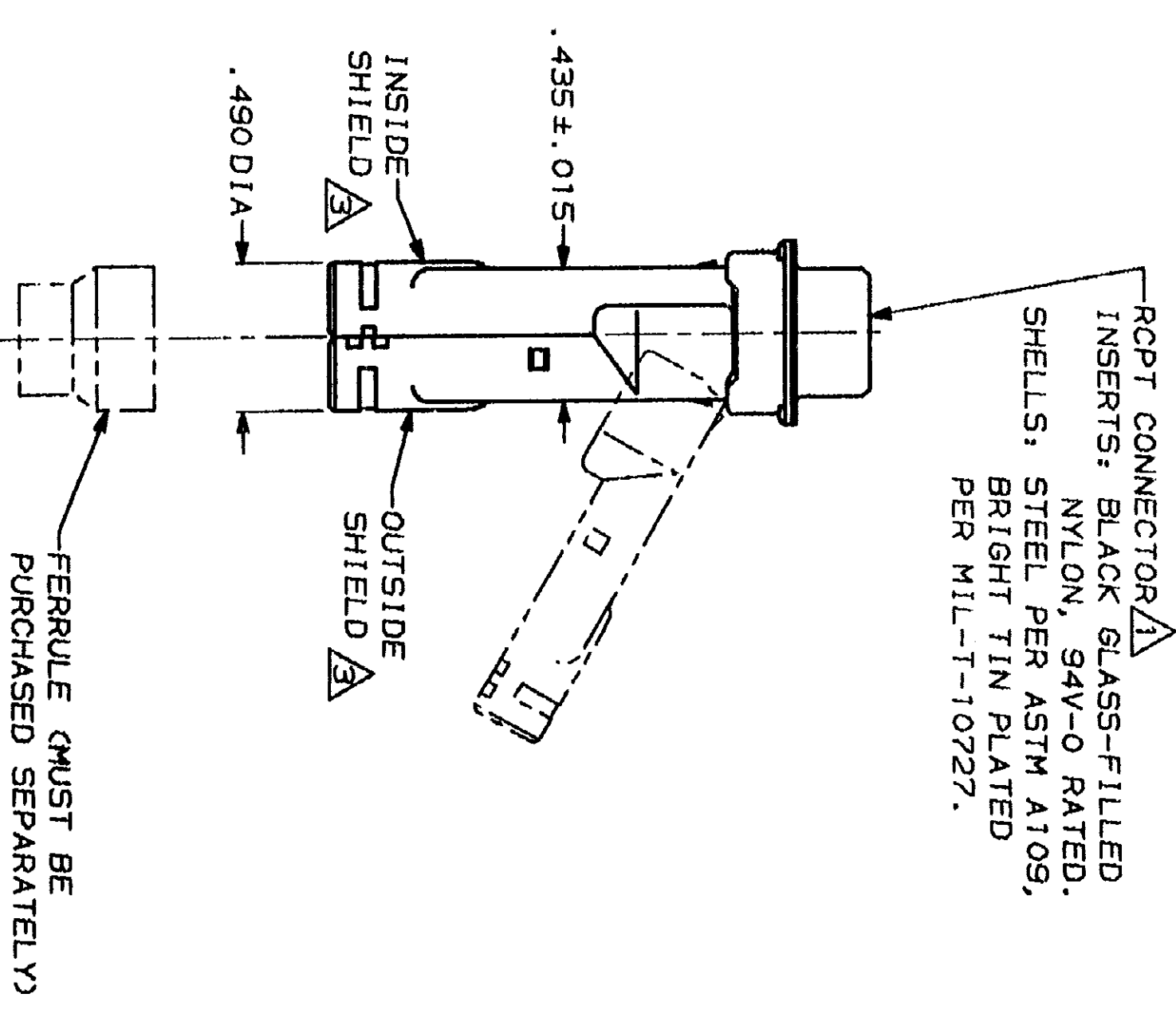
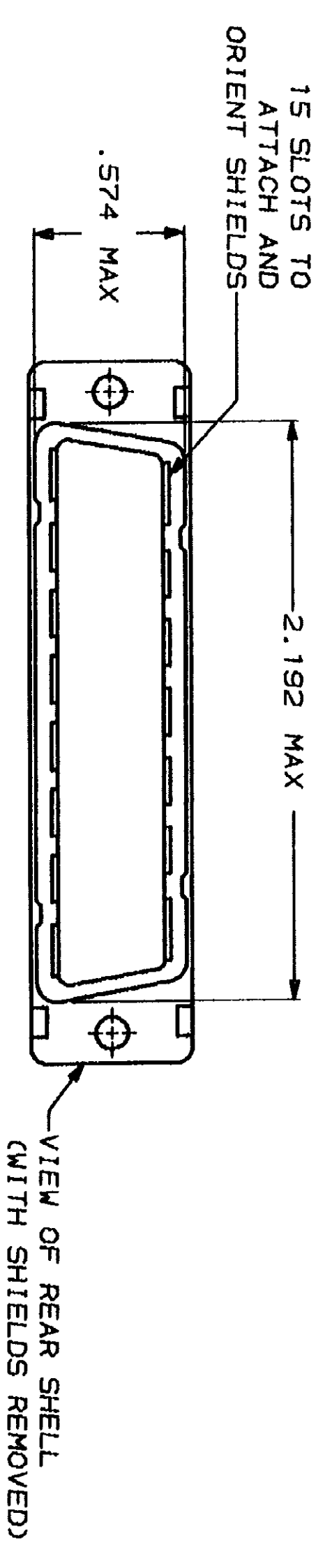
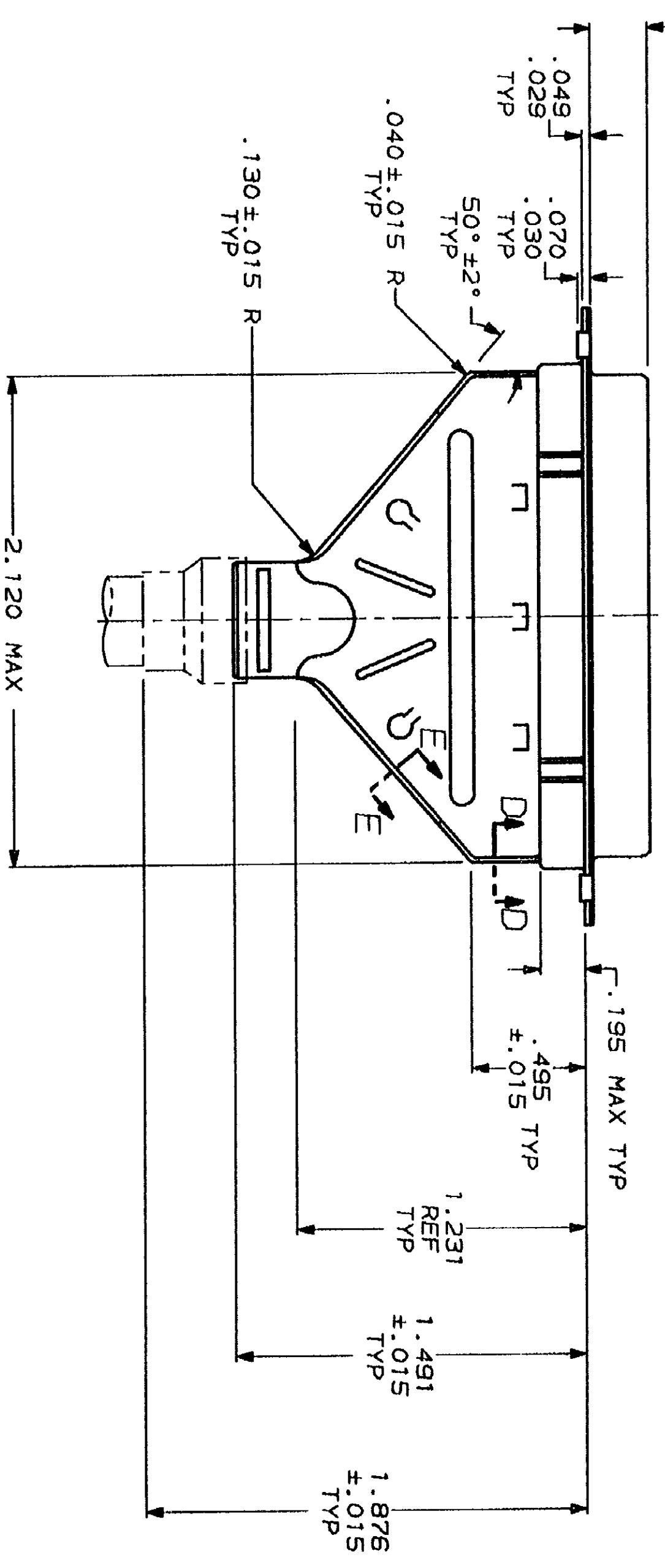
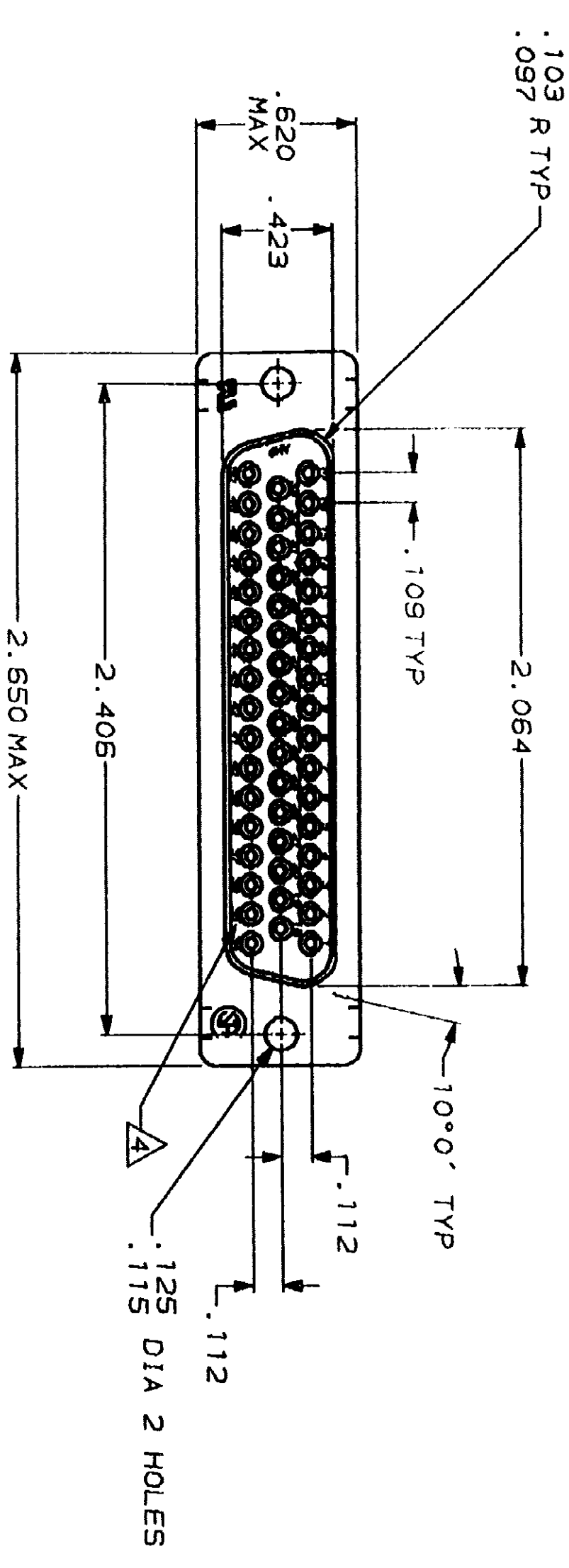


REV	DATE	APP'D	DESCRIPTION
A	5-1-90		REDRAWN
B			REV PER ECN B04493



1. RCPT ACCEPTS SIZE 20 SOCKET CONTACTS (CONTACTS MUST BE ORDERED SEPARATELY).

2. ALL PARTS SHIPPED UNASSEMBLED, EACH PART INDIVIDUALLY BULK PACKED.

3. SHIELDS: MATERIAL-.020 THICK STEEL, TIN PLATED PER MIL-T-10727.

4. RAISED CAVITY IDENTIFICATION AND AMP TRADEMARK.

DO NOT SCALE PRINT. UNLESS SPECIFIED DIMENSIONS IN MILLIMETERS TOLERANCES ON: 1. ALL DIMS ±.005 2. HOLE DIA ±.005 3. ANGLES ±0°30'	DR 6/7/90 A. STUBB DS	DATE	747578-1
	CHK 8-31-90 J. HOLLAND	REVISED	
	APPD 9-4-90 BOB TAYLOR	DATE	
	APPD 9-4-90 J. ASSINI	DATE	
	PRODUCT SPEC	DATE	
FINISH SEE CALL OUT	APPLICATION SPEC	DATE	
WEIGHT	SCALE 2:1	DATE	
	SIZE D 00779	DATE	
	DRAWING NO 747578	DATE	
	SHEET 1 OF 1	DATE	

PART NUMBER
747578-1

CUSTOMER DRAWING