

NOTES:

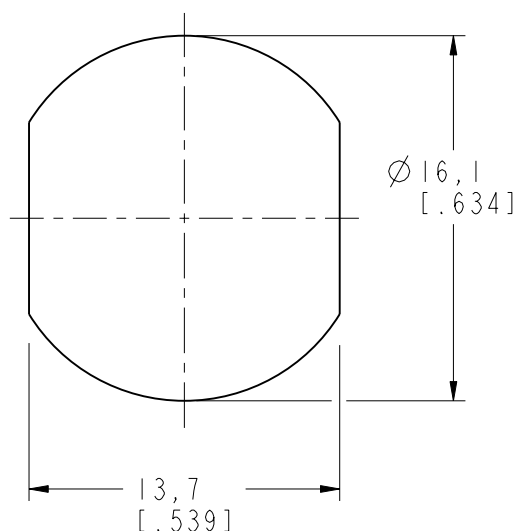
- MATERIALS AND FINISHES:
 BODIES, BARREL, HEX NUTS, LOCKWASHER - BRASS, WHITE BRONZE PLATING
 CONTACT - PHOSPHOR BRONZE & BRASS, GOLD PLATING
 INSULATORS - PTFE, NATURAL
 FERRULE: COPPER, WHITE BRONZE PLATING
 GASKET: SILICONE RUBBER, RED
- ELECTRICAL:
 A. IMPEDANCE: 50 OHM
 B. FREQUENCY RANGE: DC - 6 GHz
 C. VSWR (RETURN LOSS): 1.2 MAX. @ 0-2.5 GHz
 1.4 MAX. @ 2.5-6 GHz
 D. DIELECTRIC WITHSTANDING VOLTAGE: 1500 VRMS
- MECHANICAL:
 A. DURABILITY: 500 CYCLES MIN.
 B. TEMPERATURE RANGE: -65° C TO +165° C
- CRIMPED FERRULE HEX. CRIMP SIZE .128"
- CONTACT PIN CAN BE SOLDERED OR USE 4-WAY INDENT TOOL #47025
- MAX. PANEL THICKNESS=6.5mm

7. SHOWS CABLE ENTRY DIMENSIONS.

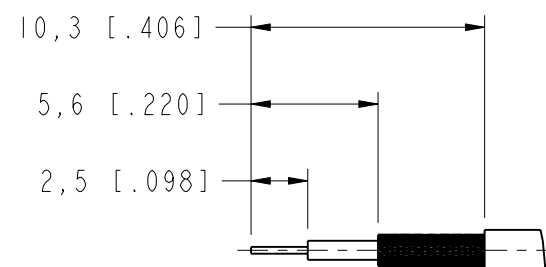
THIRD ANGLE PROJ.

REVISIONS

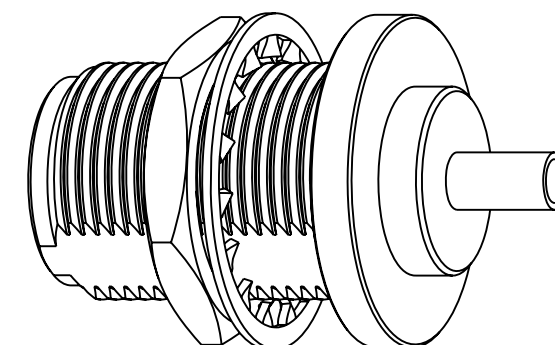
REV	DESCRIPTION	DATE	ECO	APPR
NC	INITIAL RELEASE	29-Apr-04	-----	GRS
A	UPDATE DRAWING FORMAT, IMPROVE ELECTRICAL PERFORMANCE, MODIFY CRIMP TOOL	17-Aug-12	2359	MZ
B	REDRAWN IN PRO-E	17-Jul-14	2773	MZ
C	SYNC, REVISE BARREL O.D. & FERRULE	14-Dec-16	02621	SH



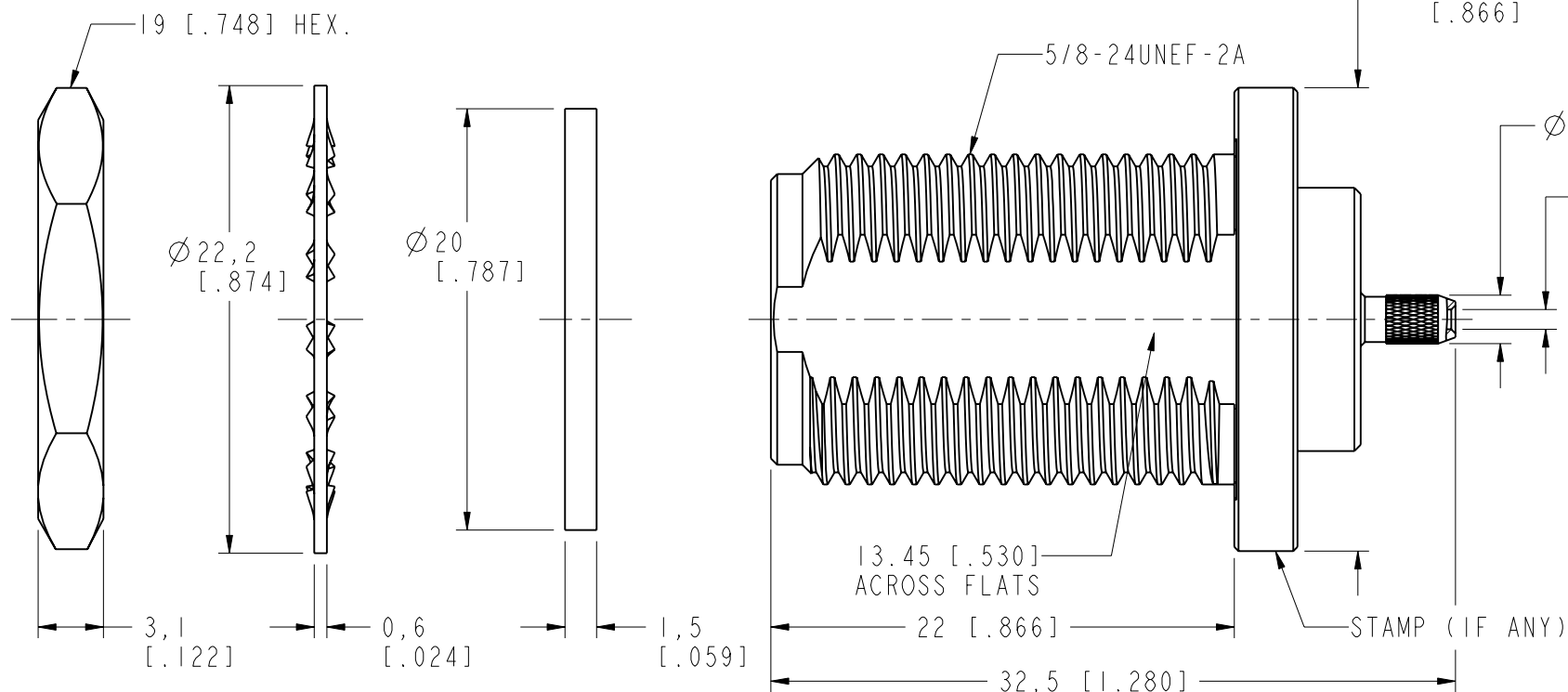
RECOMMENDED MOUNTING HOLE



RECOMMENDED CABLE STRIPPING DIM'S



SCALE 2.000



CUSTOMER OUTLINE DRAWING
 ALL OTHER SHEETS ARE FOR INTERNAL USE ONLY

UNLESS OTHERWISE SPECIFIED, DIMENSIONS ARE IN METRIC AND TOLERANCES ARE:
 <0.5mm ±0.05mm 0.5 - 6mm ±0.1mm 6 - 30mm ±0.2mm 30 - 120mm ±0.3mm ANGLES ±1°

NOTICE - These drawings, specifications, or other data (1) are, and remain the property of Amphenol corp. (2) must be returned upon request; and (3) are confidential and not to be disclosed to any person other than those to whom they are given by Amphenol Corp. the furnishing of these drawings, specifications, or other data by Amphenol Corp., or to any other person to anyone for any purpose is not to be regarded by implication or otherwise in any manner licensing, granting rights to permitting such holder or any other person to manufacture, use or sell any product, process or design, patented or otherwise, that may in any way be related to or disclosed by said drawings, specifications, or other data.

MATERIAL	DRAWN M. ZHANG	DATE 13-Dec-16	TITLE N RP BULKHEAD CRIMP JACK (FOR RG-178B/U, 196A/U CABLE)		Amphenol RF www.amphenolrf.com
REFERENCE AND CONFIGURATION LEVEL: In Work	ENGINEER S. DUAN	DATE 17-Jul-14	DRAWING NO. RN6421GI-AT5GP-196AU-50		
FINISH	APPROVED S. HSIEH	DATE 13-Dec-16	SCALE: 3.0:1.0	SHEET 2 OF 2	ITEM NO. 536421AAB16CP5F
	CAD FILE		DWG SIZE B	REV C	PART NO. 172313RP