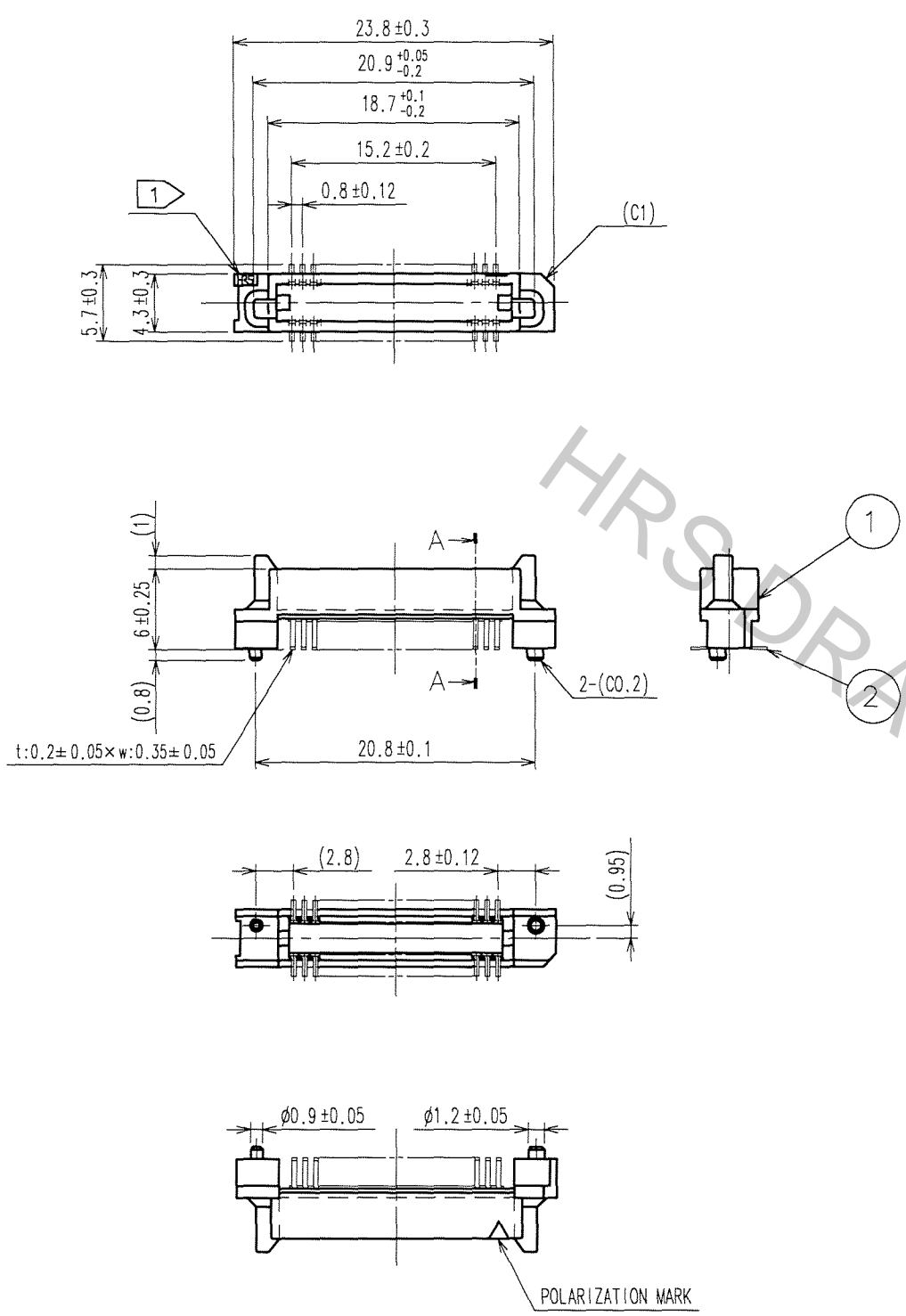
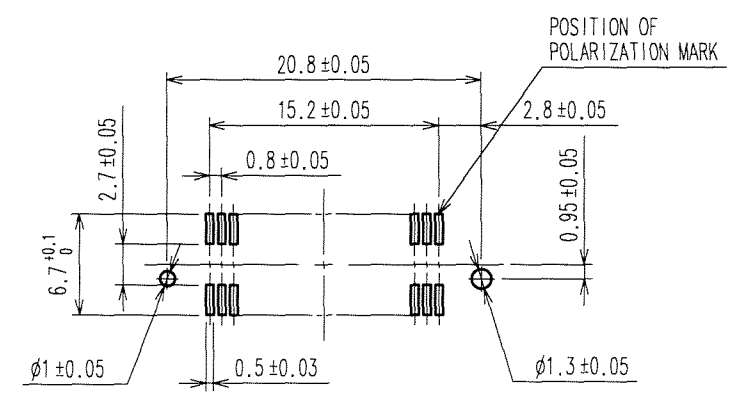


Apr.1.2017 Copyright 2017 HIROSE ELECTRIC CO., LTD. All Rights Reserved.

TO

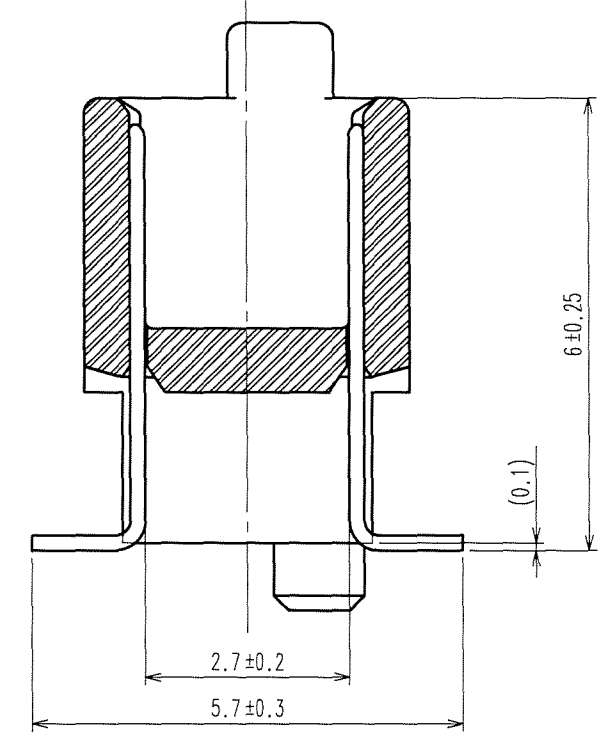


RECOMMENDED LAND PATTERN DIMENSION OF PCB (MOUNTING SIDE)



COUNT	DESCRIPTION OF REVISIONS	BY	CHKD	DATE	COUNT	DESCRIPTION OF REVISIONS	BY	CHKD	DATE
△				..	△				..
△				..	△				..
△				..	△				..

A-A (10:1)

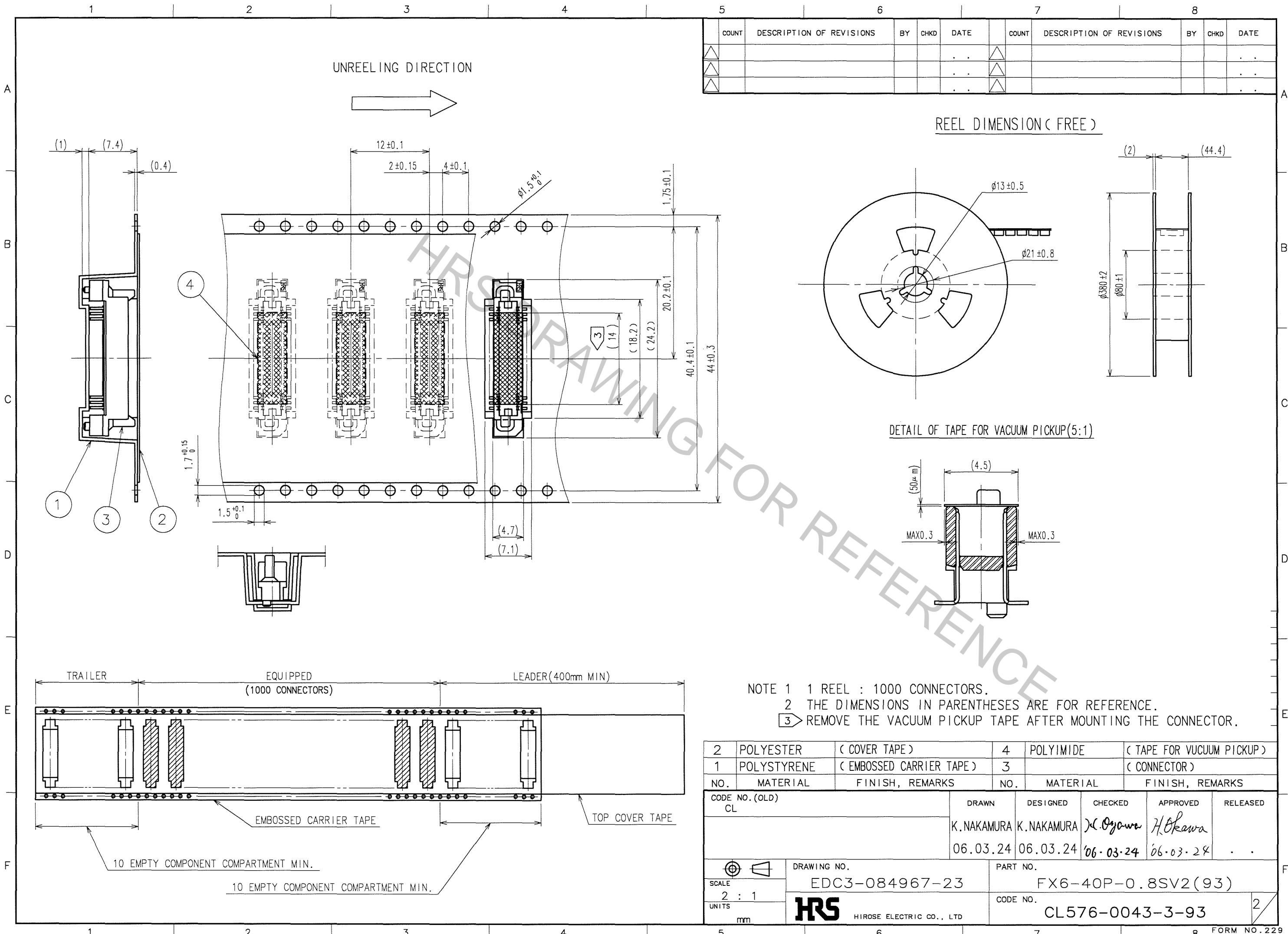


- NOTE
- 1 HRS MARK SHALL BE OPTIONAL.
  - 2 LEAD CO-PLANARITY SHALL BE 0.1mm MAX.
  - 3 EMBOSSED CARRIER TAPE PACKAGING SHALL BE APPLIED TO THIS PRODUCT. SEE NEXT PAGE FOR DETAILS.
  - 4 THIS PRODUCT HAS TAPE FOR VACUUM PICKUP. SEE NEXT PAGE FOR DETAIL OF STICKING POSITION, ETC.
  - 5 FOR MODIFICATION, ETC, PREVENTIVE HOLE FOR SINK MARK MAY BE ADDED ACCORDING TO CIRCUMSTANCES.
  - 6 THE DIMENSIONS IN PARENTHESES ARE FOR REFERENCE.

NO.	MATERIAL	FINISH, REMARKS	NO.	MATERIAL	FINISH, REMARKS	
1	PPS	LIGHT BROWN (UL94V-0)	2	PHOSPHOR BRONZE	CONTACT AREA: GOLD 0.1μm min. LEAD AREA: TIN-PLATING 1μm min. UNDER PLATING: NICKEL 1μm min.	
CODE NO. (OLD)		DRAWN	DESIGNED	CHECKED	APPROVED	RELEASED
		K. NAKAMURA	K. NAKAMURA	K. Oyawa	H. Okawa	..
		06.03.24	06.03.24	06.03.24	06.03.24	..
DRAWING NO.		PART NO.				
EDC3-084967-23		FX6-40P-0.8SV2(93)				
SCALE		CODE NO.				
2 : 1		CL576-0043-3-93		1/2		
UNITS		HRS		HIROSE ELECTRIC CO., LTD		
mm						

Apr.1.2017 Copyright 2017 HIROSE ELECTRIC CO., LTD. All Rights Reserved.

COUNT	DESCRIPTION OF REVISIONS	BY	CHKD	DATE	COUNT	DESCRIPTION OF REVISIONS	BY	CHKD	DATE



NO.	MATERIAL	FINISH, REMARKS	NO.	MATERIAL	FINISH, REMARKS
2	POLYESTER	(COVER TAPE)	4	POLYIMIDE	(TAPE FOR VUCUUM PICKUP)
1	POLYSTYRENE	(EMBOSSD CARRIER TAPE)	3		(CONNECTOR)

CODE NO. (OLD) CL	DRAWN K. NAKAMURA	DESIGNED K. NAKAMURA	CHECKED K. OYAWA	APPROVED H. OKAWA	RELEASED
	06.03.24	06.03.24	06.03.24	06.03.24	

SCALE 2 : 1	DRAWING NO. EDC3-084967-23	PART NO. FX6-40P-0.8SV2(93)
UNITS mm	<b>HRS</b> HIROSE ELECTRIC CO., LTD	CODE NO. CL576-0043-3-93

TO