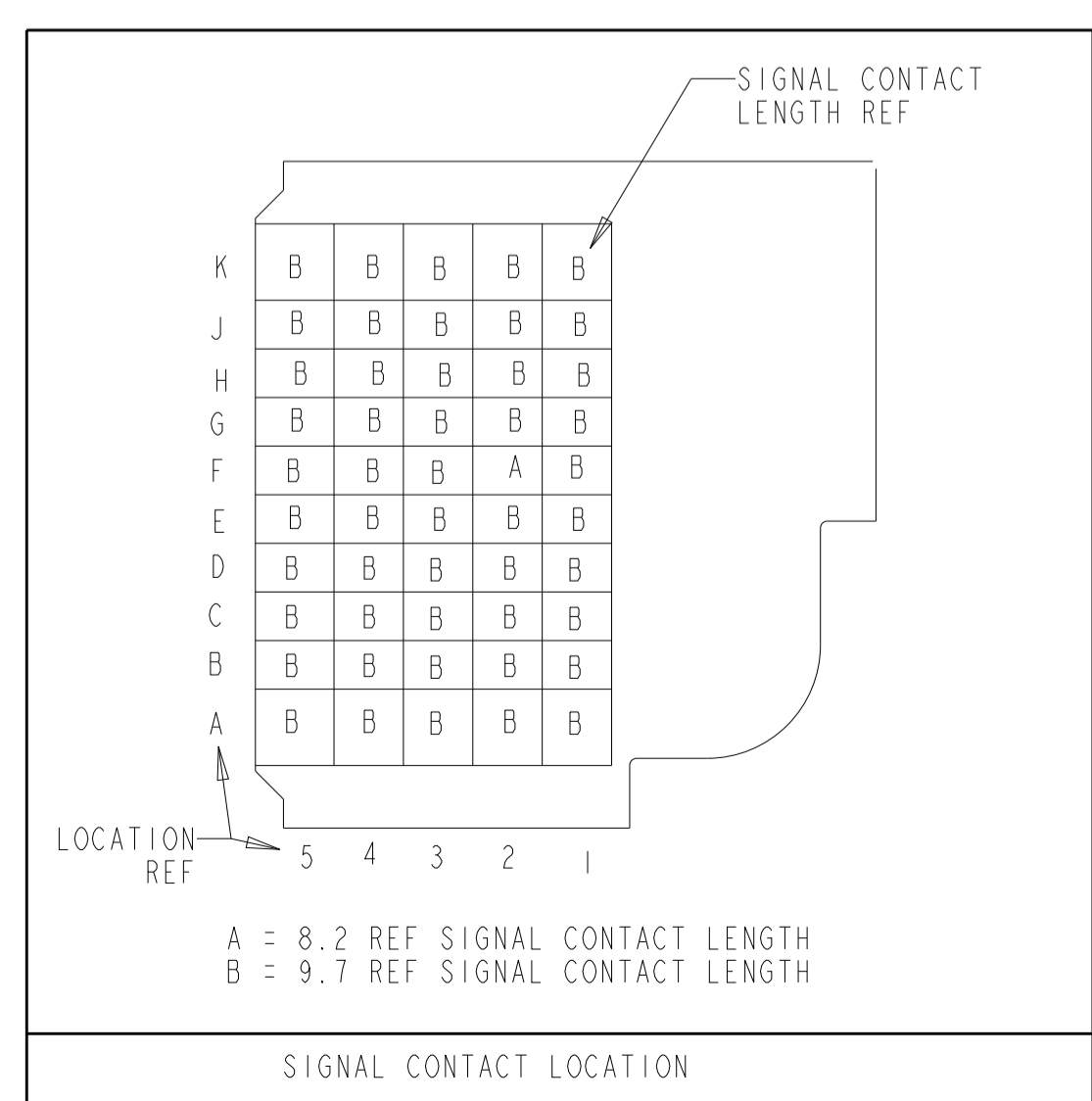
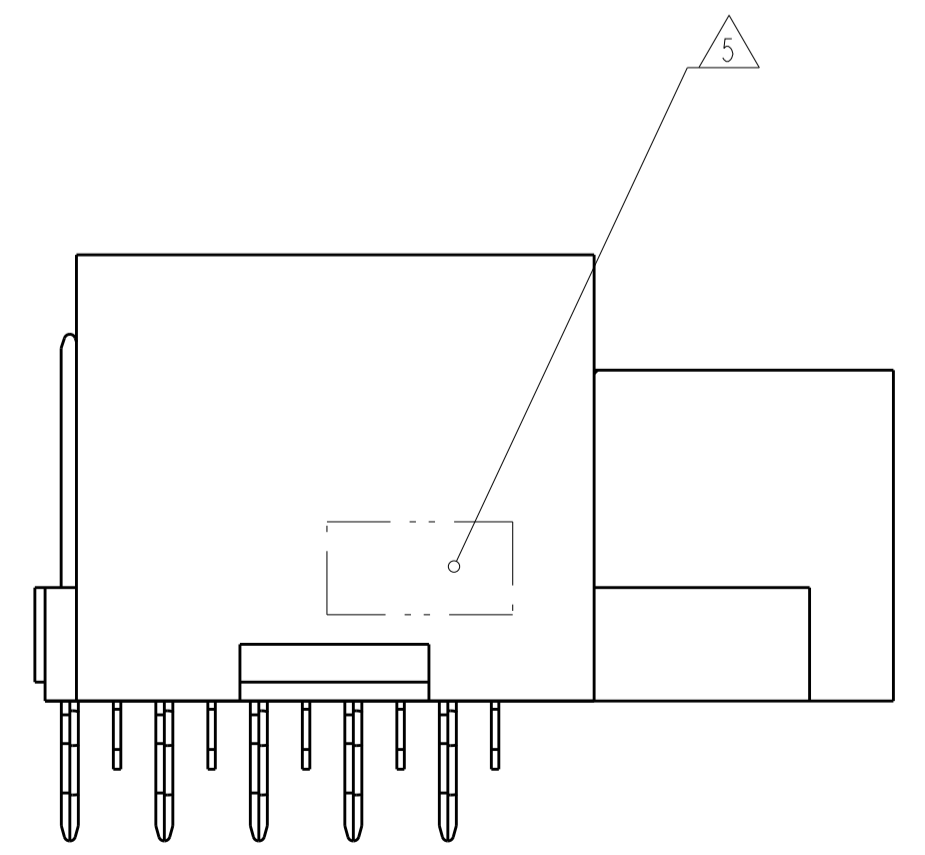
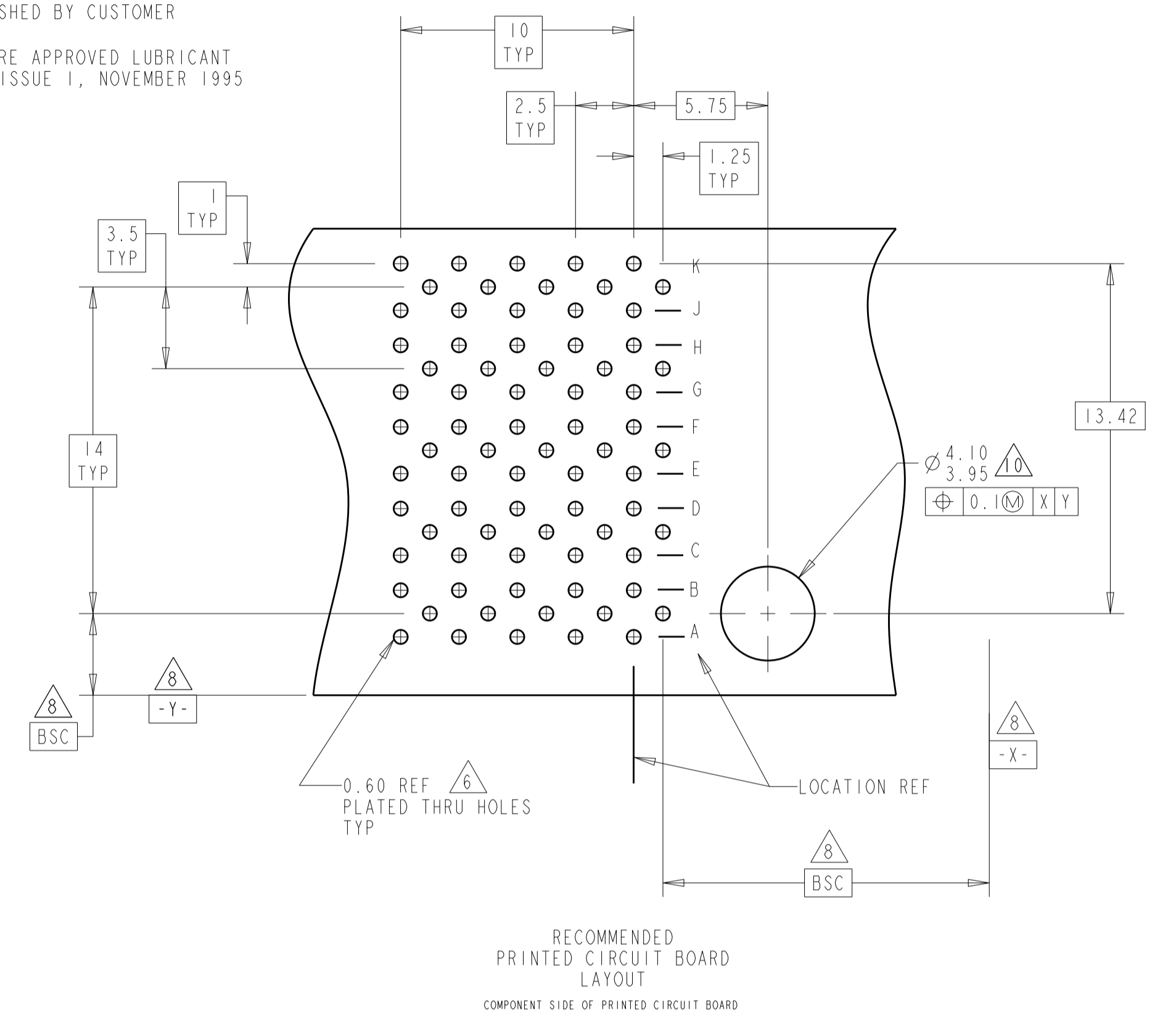
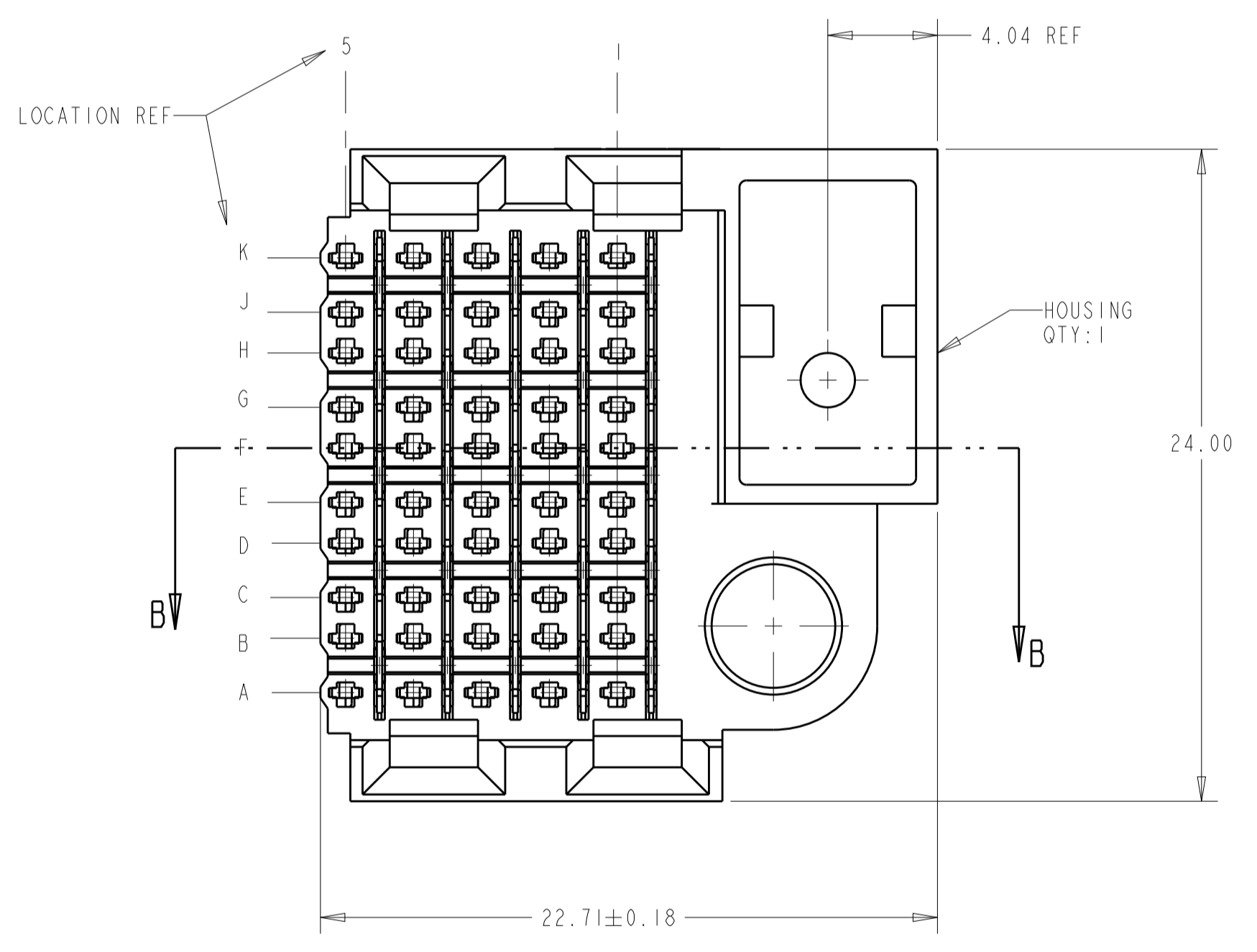
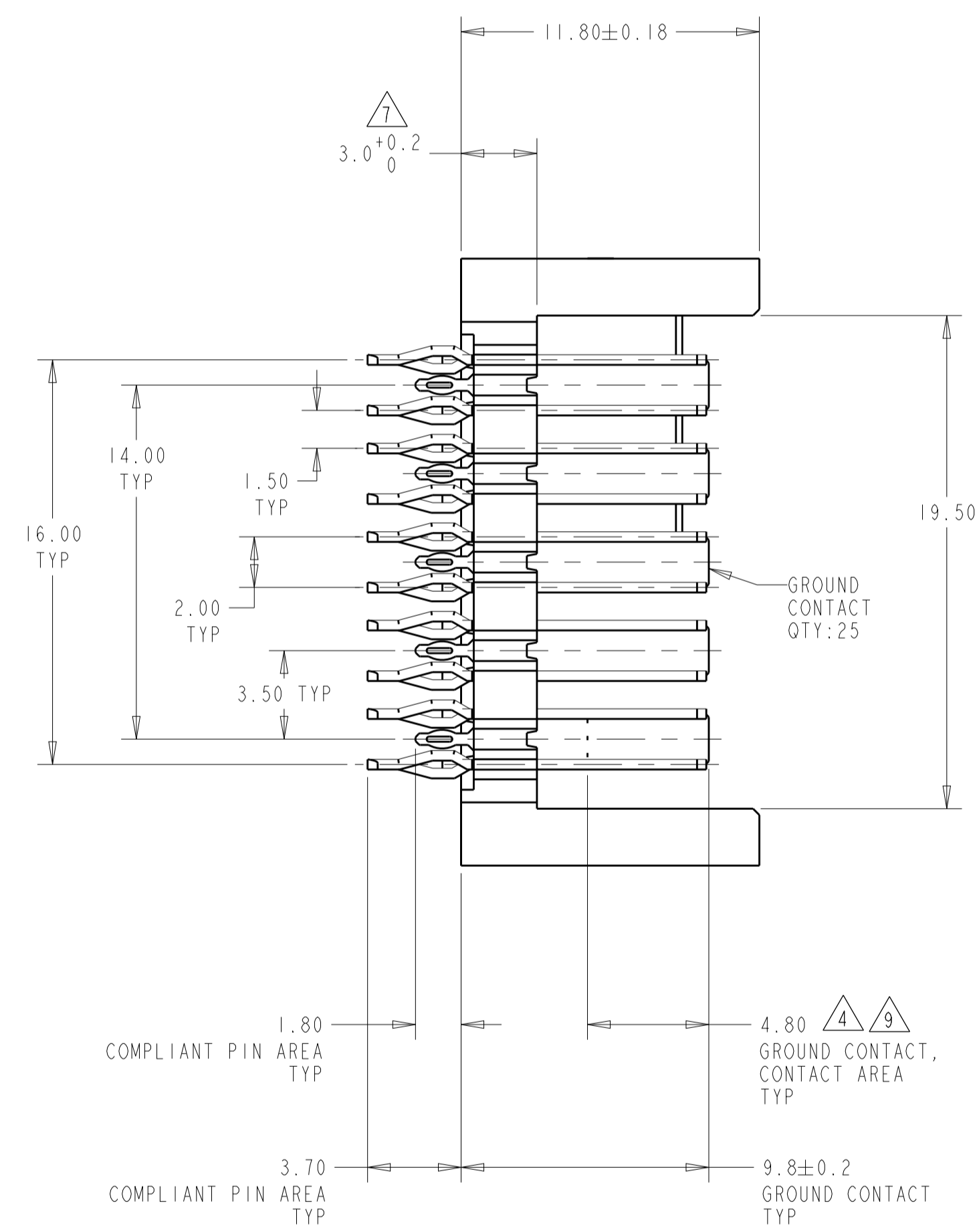
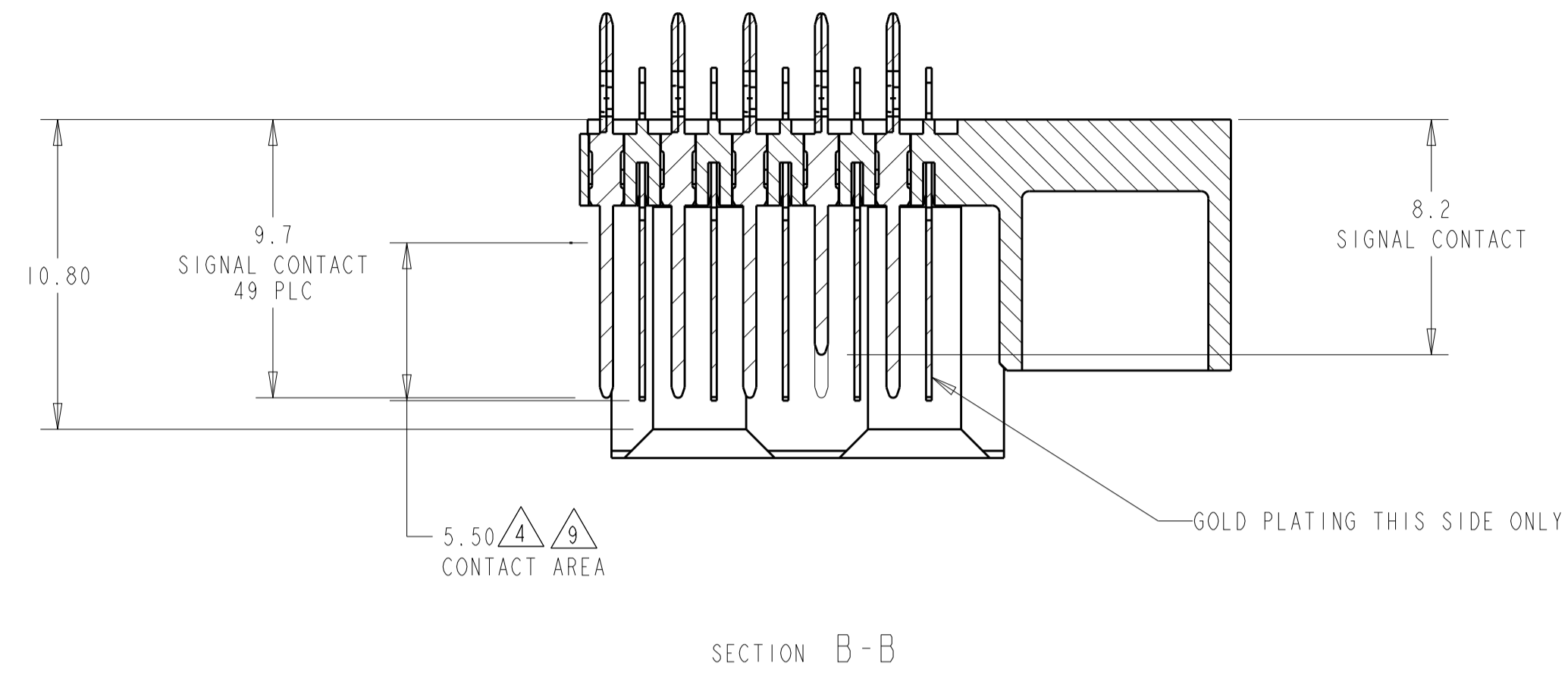


LOC		DIST		REVISIONS			
P	LTN	DESCRIPTION	DATE	DWN	APVD		
B		REVISED PER ECO-12-006972	23AUG2012	KH	JE		

- 2 PHOSPHOR BRONZE
- 3 LCP, UL94V-0
- 4 FINISH:
CONTACT MATING AREA MEETS THE PERFORMANCE REQUIREMENTS OF
TE CONNECTIVITY PRODUCT SPECIFICATION 108-1957; BASED ON
TELCORDIA GR-1217-CORE. APPLICATIONS IN UNCONTROLLED ENVIRONMENTS.
COMPLIANT PIN AREA: 0.5µm MIN MATTE TIN OVER BASE PLATING.
- 5 CONNECTOR MARKED WITH PART NUMBER AND DATE CODE
- 6 REFERENCE APPLICATION SPEC 114-13020 FOR RECOMMENDED
PLATED THRU HOLE DIAMETER AND PLATING THICKNESS.
- 7 APPLICATION SEATING HEIGHT TO PRINTED CIRCUIT BOARD
- 8 DATUMS AND BASIC DIMENSIONS ESTABLISHED BY CUSTOMER
- 9 CONTACT AREA LUBRICATED WITH BELLCORE APPROVED LUBRICANT
TECHNICAL REFERENCE: GR-1217-CORE, ISSUE 1, NOVEMBER 1995



ROWS A-E: 1-5	ROW F: 2	5120754-1
ROWS G-K: 1-5		
PIN LOCATION	PIN LOCATION	PART NUMBER
SIGNAL CONTACT TYPE B QTY: 49	SIGNAL CONTACT TYPE A QTY: 1	

THIS DRAWING IS A CONTROLLED DOCUMENT. DWN: B. CARBO 07DEC04
 CHK: R. PATTERSON 07DEC04
 APVD: R. PATTERSON 07DEC04

TE Connectivity

NAME: HEADER ASSEMBLY, 50 POSITION, SEQUENCED, LEFT HAND, 10 ROW, Z-PACK HS3

SIZE: A1 CAGE CODE: 00779 DRAWING NO: 5120754 RESTRICTED TO: -

MATERIAL: HOUSING: 3 CONTACTS: 2 FINISH: - SIGNAL CONTACT: 4 WEIGHT: - CUSTOMER DRAWING SCALE: 5:1 SHEET: 1 OF 1 REV: B