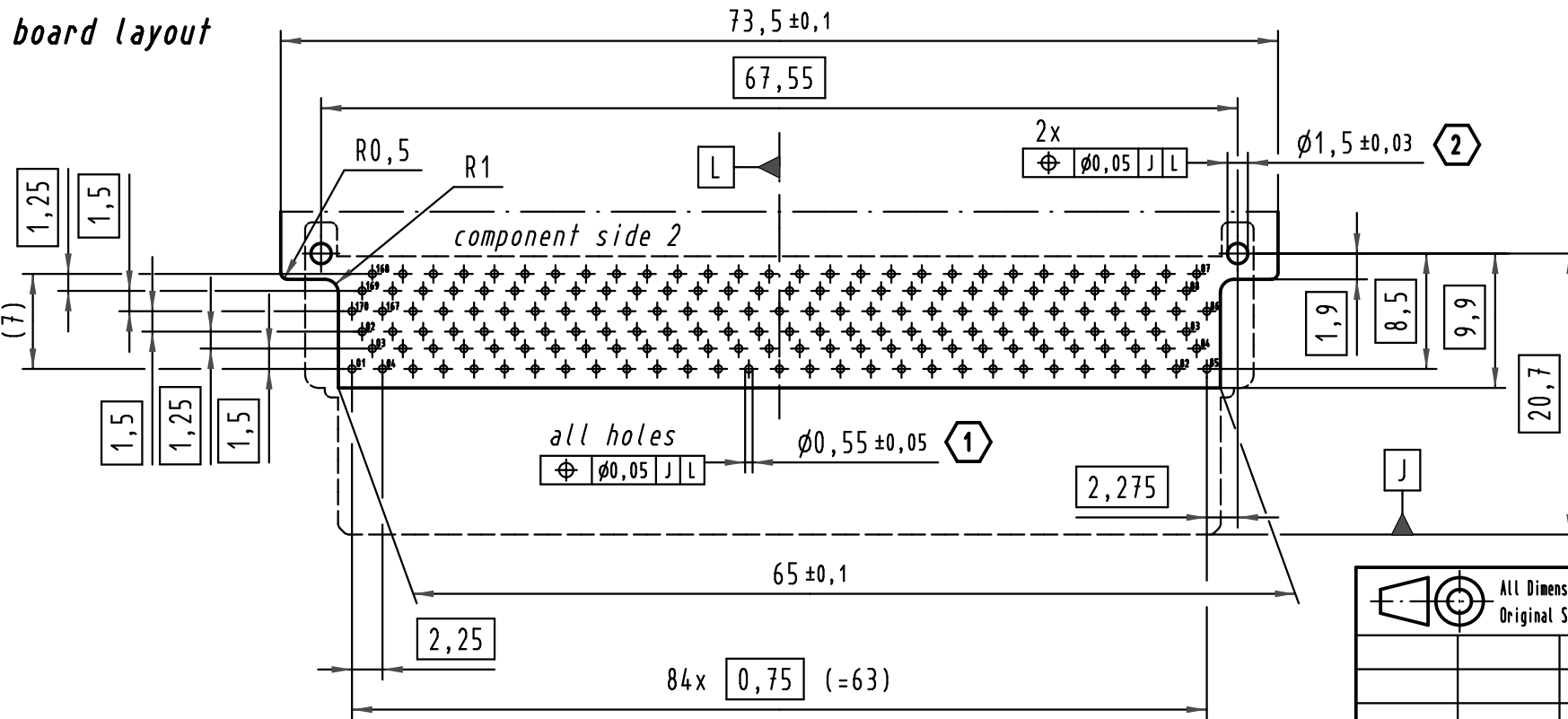
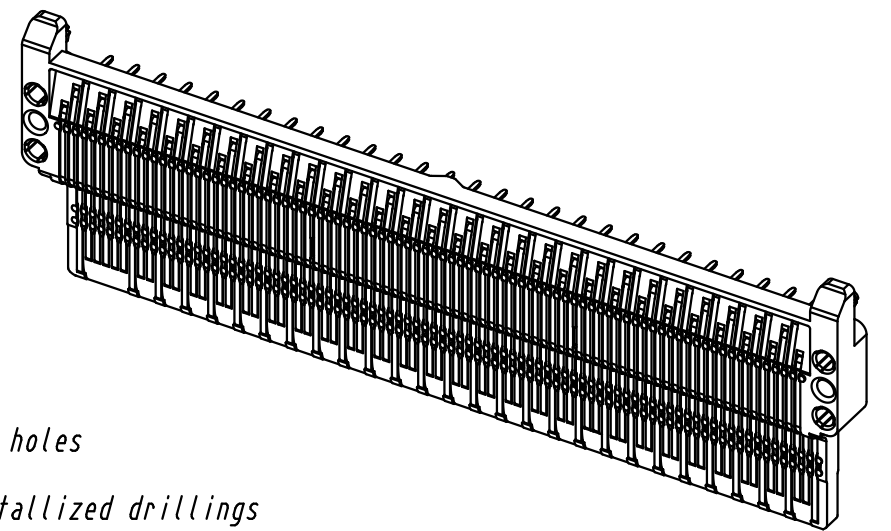
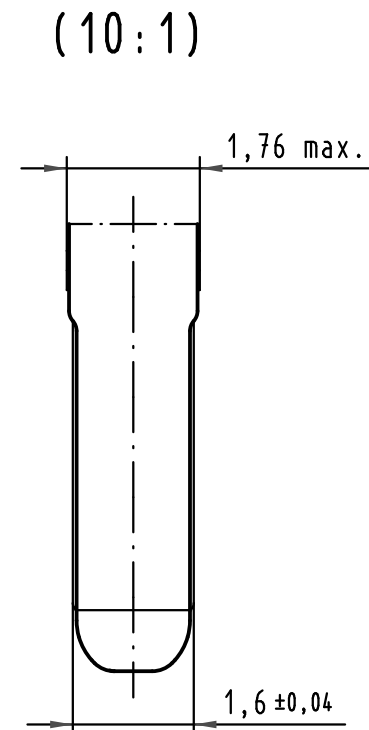
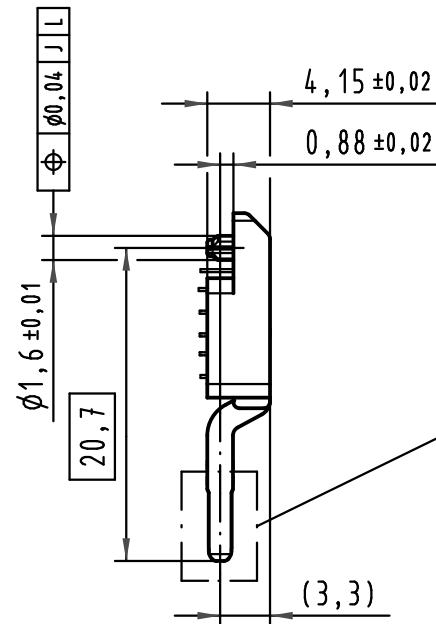
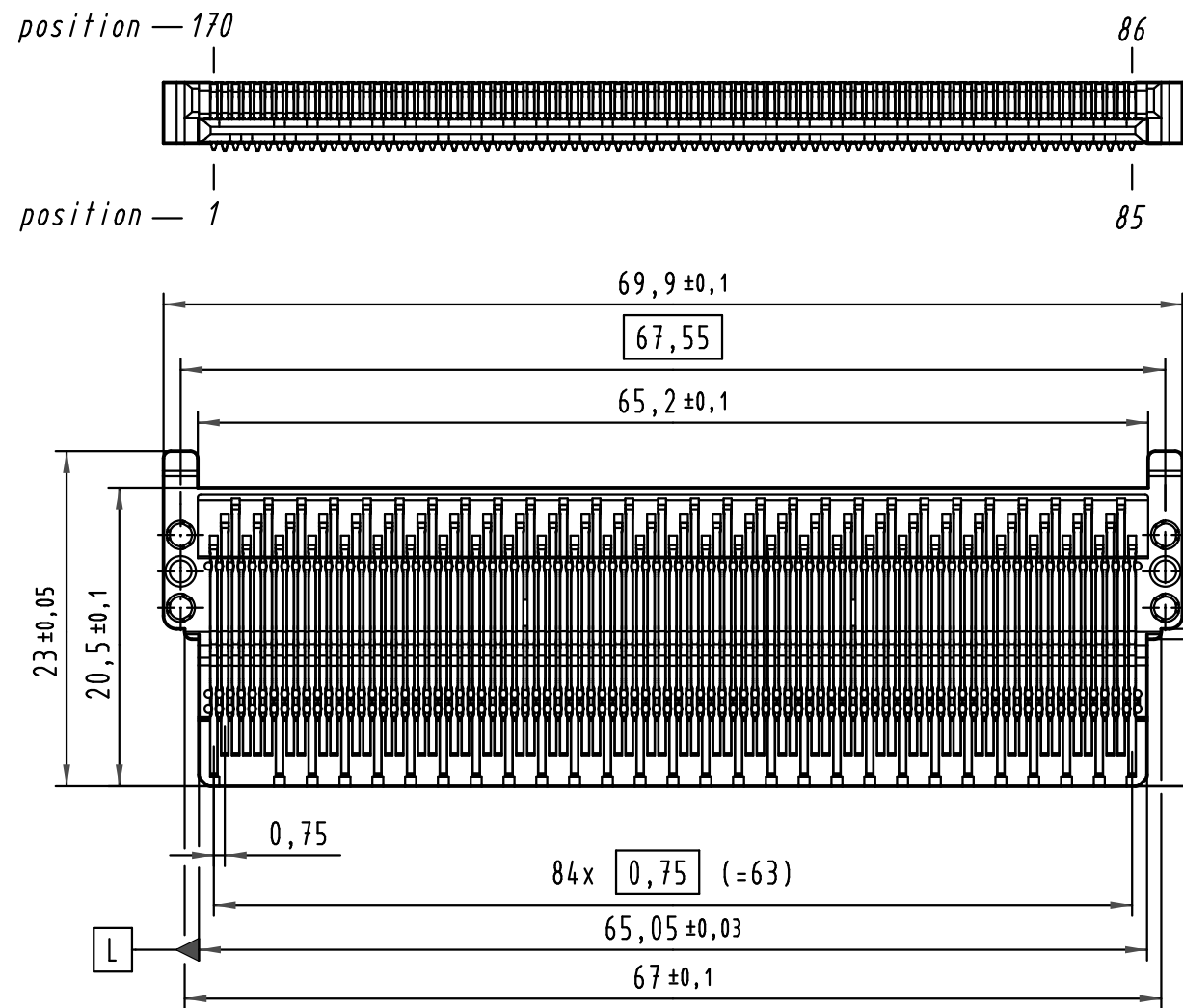


Alle Rechte vorbehalten/ All rights reserved



① plated holes

② non-metallized drillings

- mating steps acc. to PICMG MicroTCA.0 and AdvancedMC.0

The following 54 contacts are internally connected (ground pins acc. to AdvancedMC.0): 7, 10, 13, 16, 19, 22, 25, 28, 31, 34, 37, 40, 43, 46, 49, 52, 55, 58, 61, 64, 67, 70, 73, 76, 79, 82, 85, 86, 89, 92, 95, 98, 101, 104, 107, 110, 113, 116, 119, 122, 125, 128, 131, 134, 137, 140, 143, 146, 149, 152, 155, 158, 161, 164

All Dimensions in mm Original Size DIN A 3		Techn. Character.			Nicht tolerierte Maß/Free size tolerances	
Mod.	Dat.	Name	Dat.	Name	Maßstab/Scale	AdvancedMC-Plug-Connector Extended Side, 170 pole, solder
			Detail.	HL.	2:1	
			Insp.	Li		
			Stand.			
35378	20.05.10	HL.	HARTING Electronics GmbH & Co. KG			TB 16 21 170 1303 000
35565			D-32339 ESPELKAMP			
Mod.	Dat.	Name				Blatt/ page