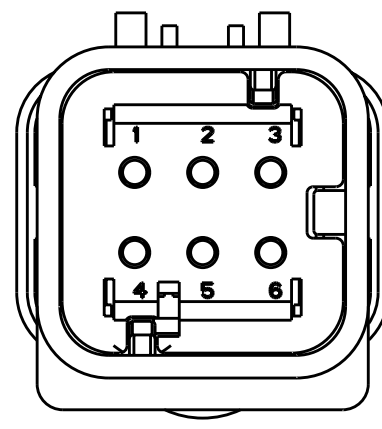
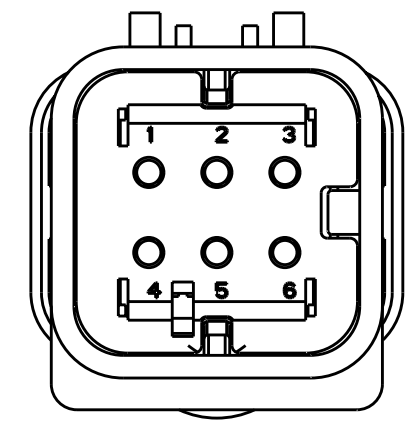


THIS DRAWING IS UNPUBLISHED. RELEASED FOR PUBLICATION 2004  
 © COPYRIGHT 2004 BY TYCO ELECTRONICS CORPORATION. ALL INTERNATIONAL RIGHTS RESERVED.

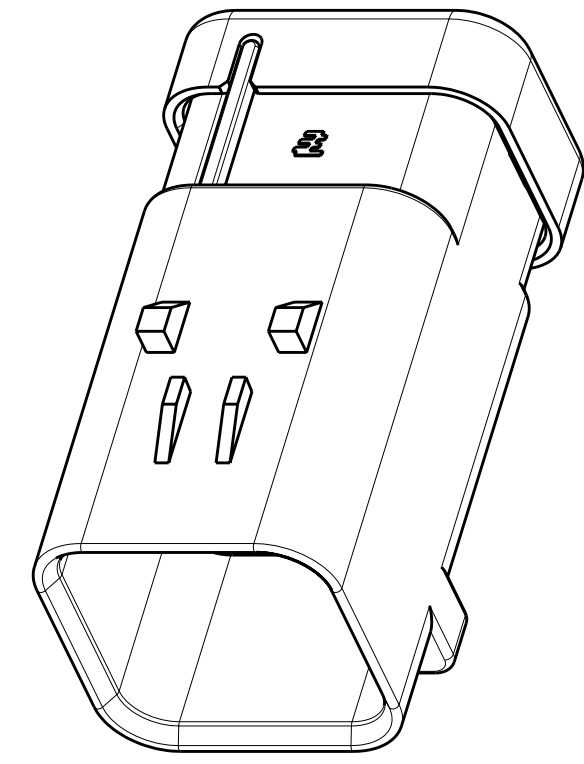
LOC		DIST		REVISIONS			
P	LTR	DESCRIPTION	DATE	DWN	APVD		
	CI	REVISED PER ECR-10-019377	30SEP2010	HMR	T.M		



1717675-2  
SCALE 2:1



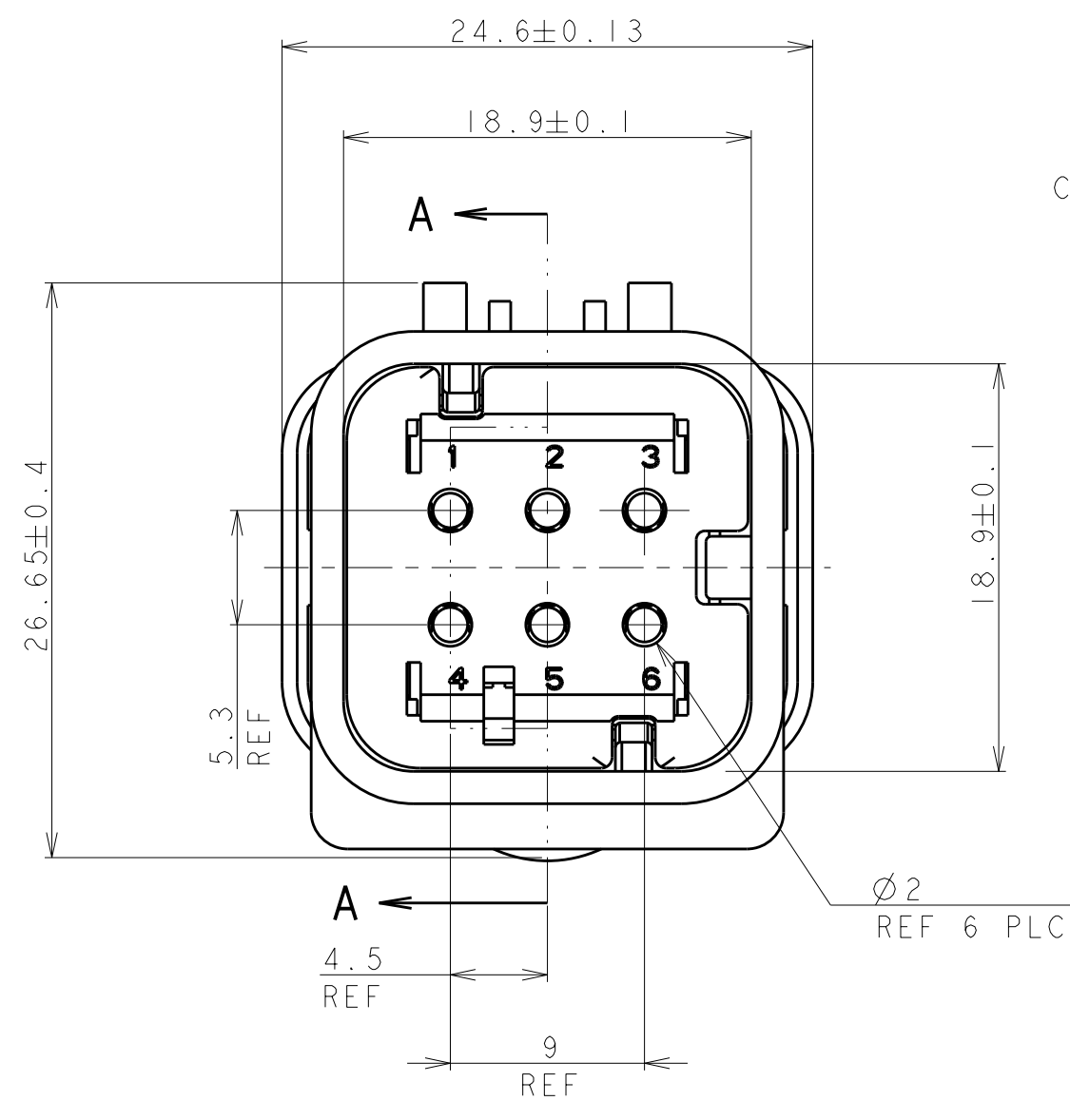
1717675-3  
SCALE 2:1



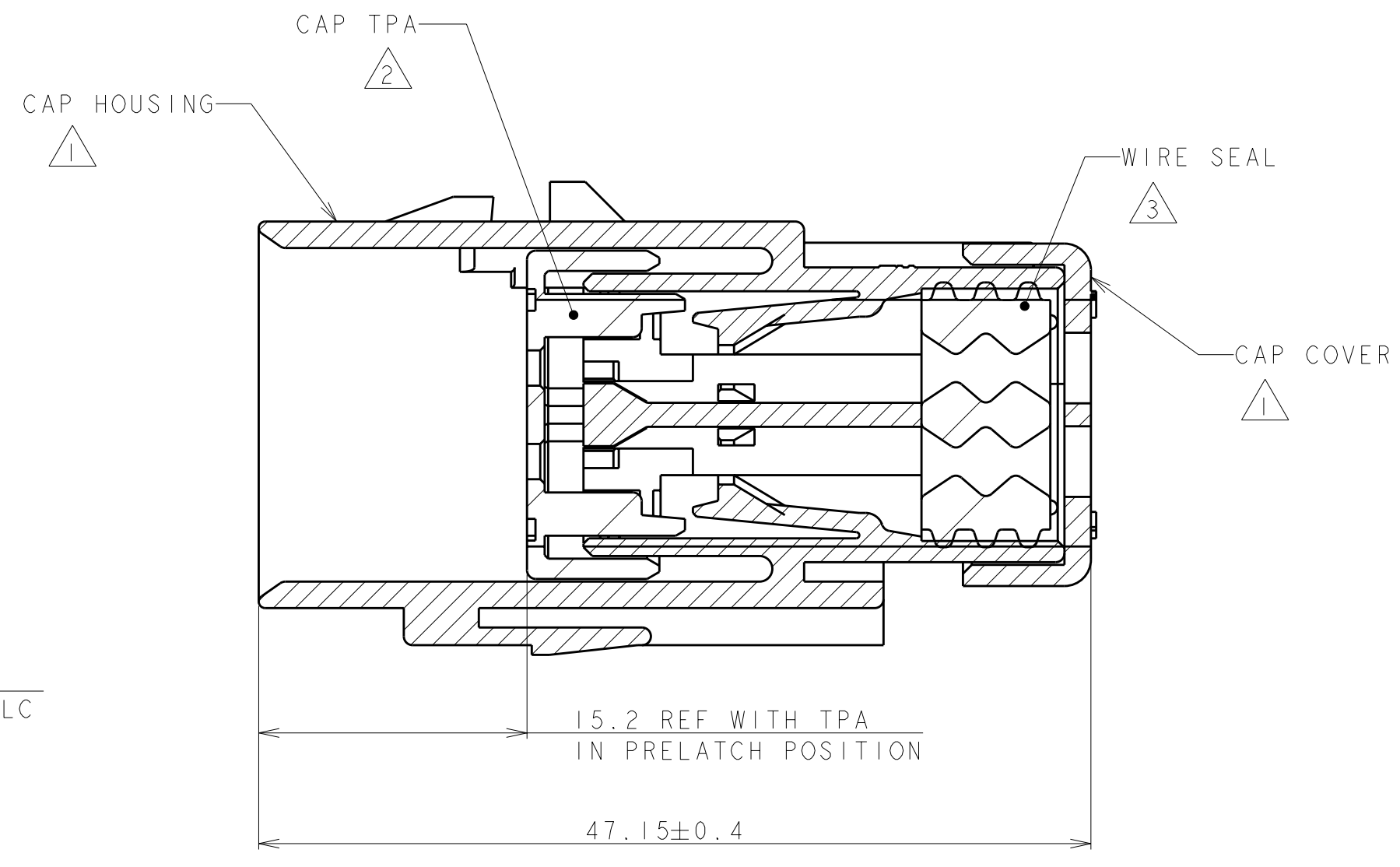
SCALE 2:1

- ① MATERIAL: 15% GLASS FILLED THERMOPLASTIC  
COLOR: BLACK
- ② MATERIAL: 15% GLASS FILLED THERMOPLASTIC  
COLOR: (SEE TABLE)
- ③ MATERIAL: SILICONE  
COLOR: RED

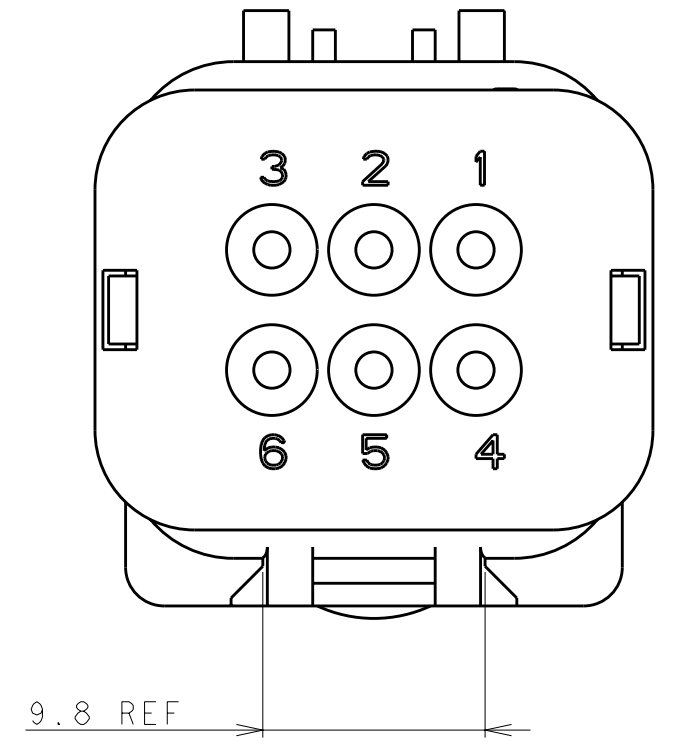
4. WIRE INSULATION RANGE:  $\varnothing 2.24 \sim \varnothing 3.94$



1717675-1 SHOWN



A - A  
OPEN POSITION



YELLOW	1717675-3
GRAY	1717675-2
RED	1717675-1
TPA COLOR	PART NUMBER

THIS DRAWING IS A CONTROLLED DOCUMENT FOR TYCO ELECTRONICS CORPORATION. IT IS SUBJECT TO CHANGE AND THE CONTROLLING ENGINEERING ORGANIZATION SHOULD BE CONTACTED FOR THE LATEST REVISION.		DWN Y. KATO 15JAN2004	Tyco Electronics Corporation Kawasaki, Japan	
DIMENSIONS: mm		CHK S. MANABE 15JAN2004	NAME CAP ASSY, 6 POS. BRACKET REVERSE TYPE AMP SEAL 16	
TOLERANCES UNLESS OTHERWISE SPECIFIED: 0 PLC ± 1 PLC ± 2 PLC ± 3 PLC ± 4 PLC ± ANGLES ± FINISH ±		APVD S. MANABE 15JAN2004	SIZE A20779	
MATERIAL		PRODUCT SPEC	DRAWING NO C-1717675	
		APPLICATION SPEC	RESTRICTED TO	
		WEIGHT	SCALE 3:1	
		CUSTOMER DRAWING	SHEET 1 OF 1 REV C1	