

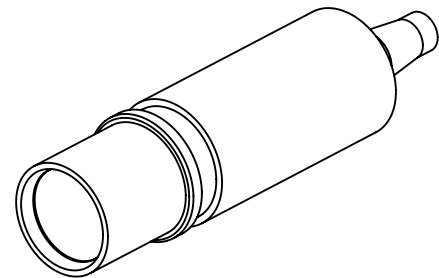
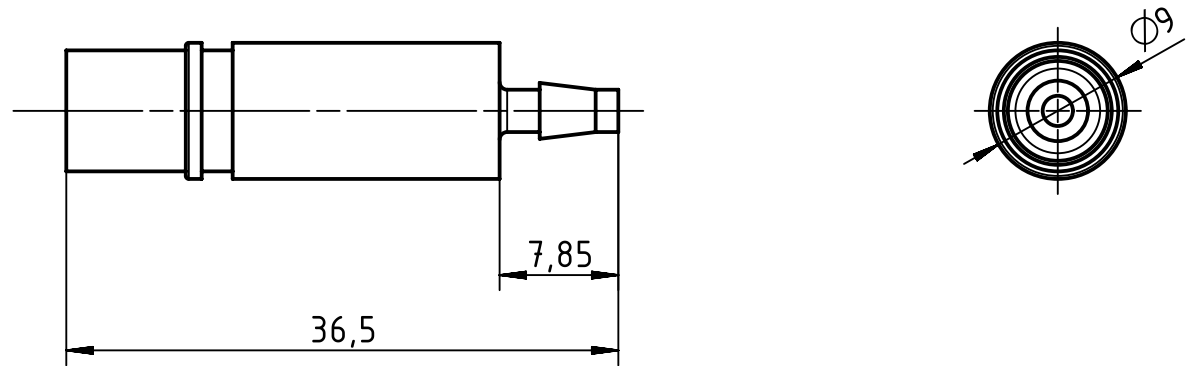
1 2 3 4 5 6


A

B

C

D



	All rights reserved Department EL PD - DE	Created by MOELLERLI		Inspected by BEISCHER		Standardisation SCHMIDTM		Date 2016-11-23		State Final Release	
		HARTING Electric GmbH & Co. KG D-32339 Espelkamp		Title Pneum. contact metal ID3mm female						Doc-Key / ECM-Nr. 100654648/UGD/001/D 500000111819	
		Type TB		Number 09 14 000 6403				Rev. D		Page 1/1	