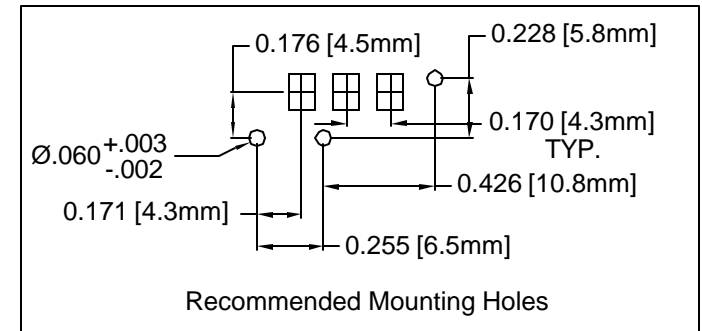
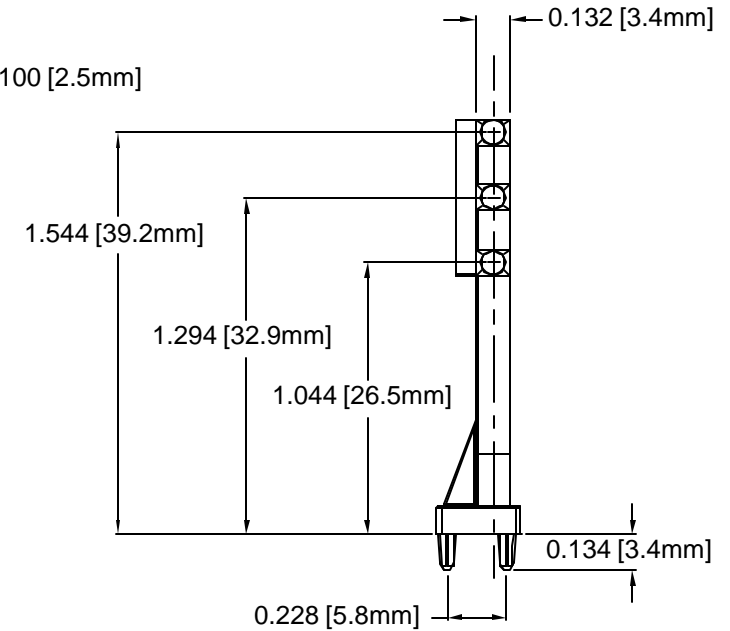
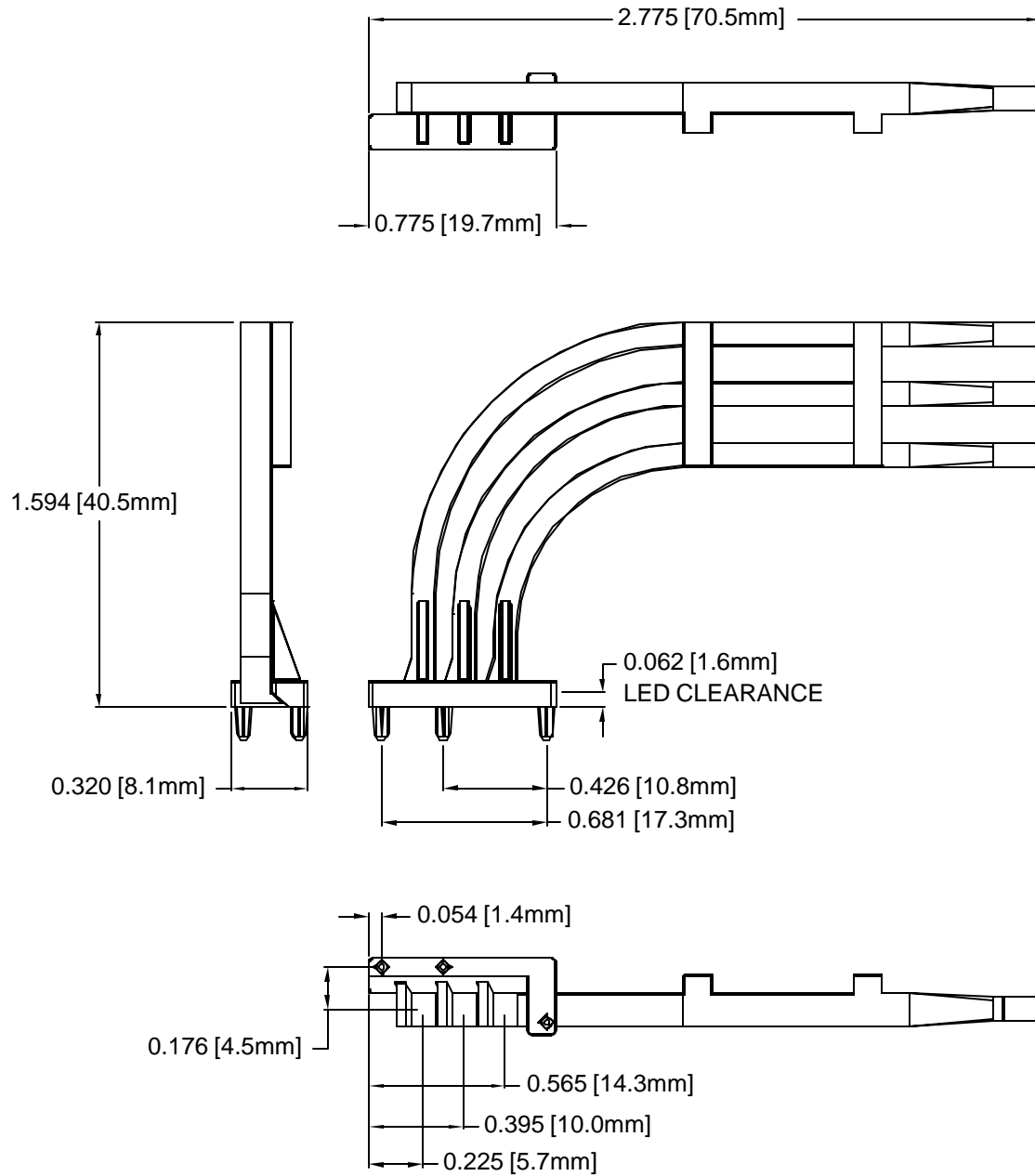


REV.	DESCRIPTION	DATE	APPROVED
G	Engineering Release.	09/01/04	M. C.



2. MATERIAL: POLYCARBONATE, 94V-0, CLEAR. BIVAR MATERIAL CODE 47-CR. SAM YANG CORPORATION POLYCARBONATE 3025N2 CLEAR.
1. GENERAL SPECIFICATIONS: BIVAR MOLDED COMPONENT SPECIFICATION BV00-E101.

STANDARD TOLERANCE ( UNLESS OTHERWISE SPECIFIED )	
DECIMALS	ANGULAR
.X ± .1	X° ± 1°
.XX ± .01	
.XXX ± .005	



DESIGNED: <b>Michael Chen</b>	DATE: <b>04/07/04</b>
CHECKED: <b>T. Yin</b>	DATE: <b>04/07/04</b>

<b>BIVAR</b> <sup>®</sup>	
4 THOMAS, IRVINE, CA. 92618 TEL: (949) 951-8808 FAX: (949) 951-3974	
<b>TITLE:</b> CUSTOM LIGHT PIPE, 3 HIGH	
<b>PART NO:</b> LP-330	<b>REVISION:</b> G
<b>CAGE CODE :</b> 32559	<b>SHEET #</b> 1 OF 1
<small>CAD GENERATED DOCUMENT. DO NOT MEASURE DRAWING.</small>	