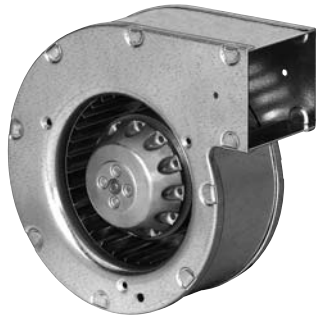


G2S097 Series Centrifugal Blower

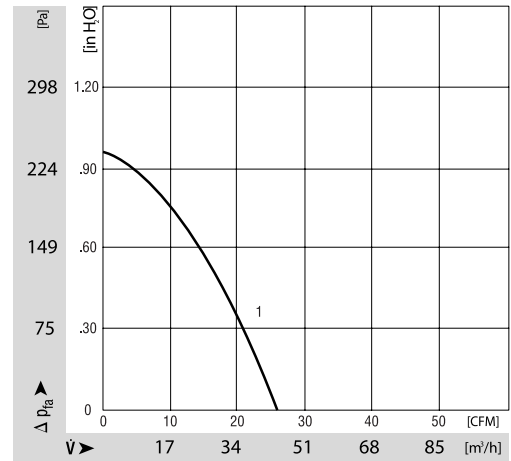
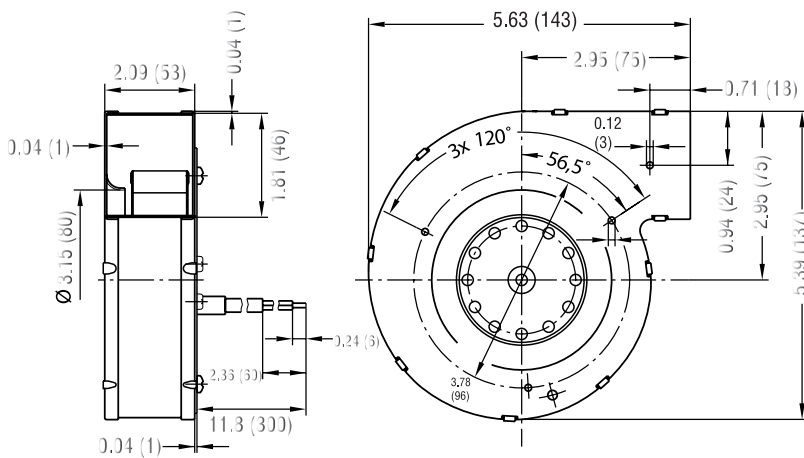
Ø 97mm



- AC single inlet, forward curved centrifugal blower. Via a bracket, the integrated external-rotor motor is mounted on one side of the housing.
- Direction of rotation is CW as seen from suction side. Insulation class "B".
- Maintenance-free ball bearings.
- Housing and impeller of galvanised sheet-steel. Forward curved impellers are directly press-fitted onto the rotor of the external-rotor motor.
- UL, CSA, VDE approvals on some models, please contact application engineering.

| Part Number | Curve | CFM @ 0 | VAC | Hertz | Power (W) | dBA | Max Amb. Temp. C | Bearing Type | Features | Capacitor (µF) | Wgt. (lbs) |
|----------------|-------|---------|-----|-------|-----------|-----|------------------|--------------|----------|----------------|------------|
| G2S097-DB61-08 | 1 | 26 | 115 | 60* | 23 | 37 | 55 | Ball | Leads | - | 1.81 |
| G2S097-DB03-01 | 1 | 26 | 230 | 60* | 22 | 38 | 50 | Ball | Leads | - | 1.81 |

* 50 Hz data available.



ebmpapst

e-mail: sales@us.ebmpapst.com · TEL: 860-674-1515 · FAX: 860-674-8536

ebm-papst Inc., 100 Hyde Road, Farmington, CT 06034 USA

ebm-papst Inc., 2006 © ebm-papst Inc. reserves the right to change any specifications or data without notice