

## HC-D 7-TFL-49/M1PG11S/PA

Order No.: 1772256

The illustration shows the version, PA sleeve housing with straight cable exit

<http://eshop.phoenixcontact.de/phoenix/treeViewClick.do?UID=1772256>Sleeve housing, for single locking latch, height h 49 mm, with screw  
connection, 1x Pg11, lateral cable entry, material PA

Commercial data	
EAN	4017918036928
Pack	10 pcs.
Customs tariff	85472000
Weight/Piece	0.02666 KG
Catalog page information	Page 508 (PC-2009)

**Product notes**WEEE/RoHS-compliant since:  
02/27/2006

<http://www.download.phoenixcontact.com>  
Please note that the data given here has been taken from the online catalog. For comprehensive information and data, please refer to the user documentation. The General Terms and Conditions of Use apply to Internet downloads.

**Technical data****General data**

Note	For contact inserts HC-D7, D8, A3, A4, B5, HS2-D7
------	---

Design	D7
Height	48 mm
Width	28 mm
Length	26.5 mm
Housing type	Sleeve housings
Locking type	for single locking latch
Type of the screw connection	1x Pg11
Pg screw connection	With
Wrench size, union nut	18 mm
Cable exit	Lateral
External cable diameter	7.5 mm ... 12.5 mm
Degree of protection	IP54 / IP65 with sealing screw
Ambient temperature (operation)	-40 °C ... 125 °C
Housing material	PA
Housing surface material	PA, light gray
Cable gland material	PA
Cable seal material	NBR
Locking latch material	PA

#### Certificates / Approvals



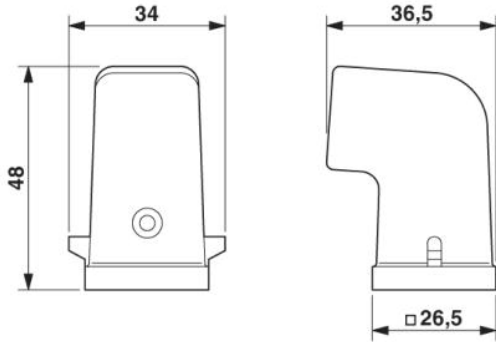
Certification GOST

#### Accessories

Item	Designation	Description
<b>Assembly</b>		
1686229	HC-D 7-DS-IP65	Sealing screw, for IP65 protection

**Diagrams/Drawings**

Dimensioned drawing



**Address**

PHOENIX CONTACT Inc., USA  
586 Fulling Mill Road  
Middletown, PA 17057, USA  
Phone (800) 888-7388  
Fax (717) 944-1625  
<http://www.phoenixcon.com>



© 2010 Phoenix Contact  
Technical modifications reserved;