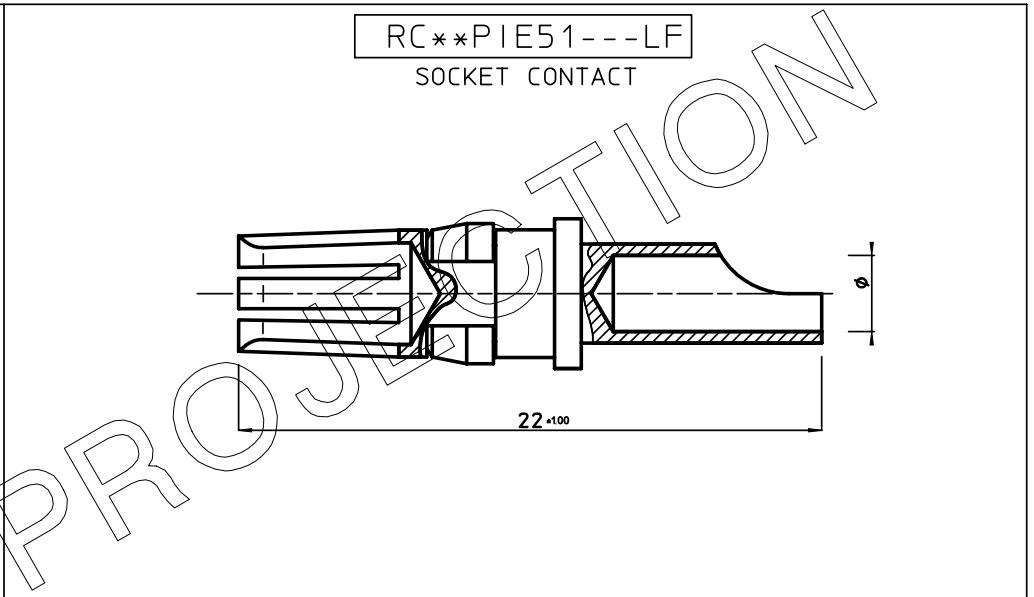
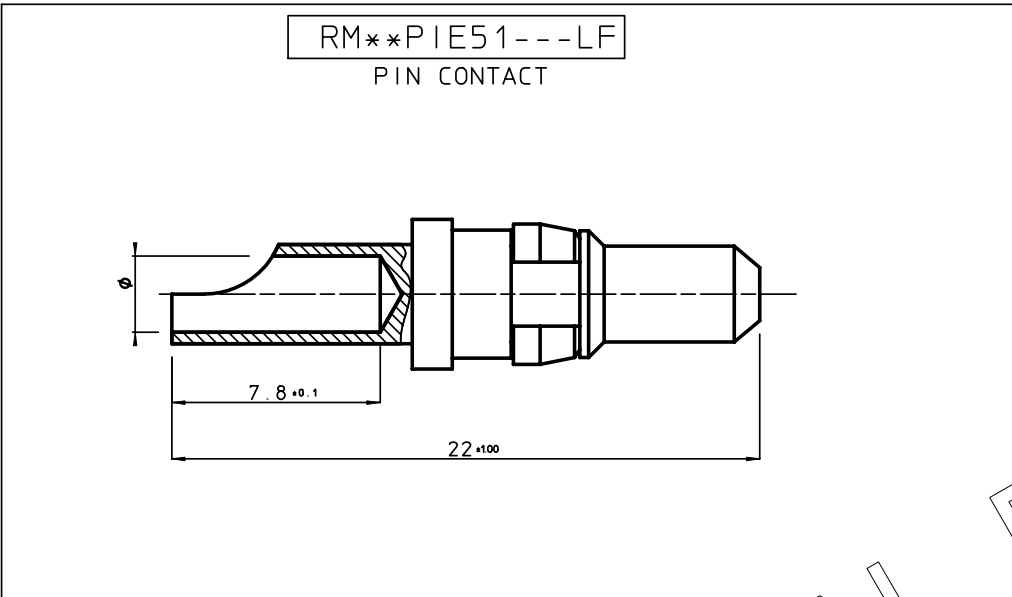


GEN. ST.	01	02	03	04	05	06	07	08	0D	50	60	70	80	90																	
INT. ST.	10	11	12	13	14	18	20	31	32	33	34	38	39	40	42	43	44	45	46	48	56	70	72	73	75	76	81	82	83	84	88

REV.	DATE	DESCRIPTION	BY	C'K'D'
A	2001-09-14	CONVERSION REVISION 03	KN	
B	2006-04-19	106-0047	ALEX B	BKP



PERFORMANCE CHARACTERISTICS:


- INSERTION FORCE: 10 N MAX.
- WITHDRAWAL FORCE: 1.6 N MIN.
- CONTACT RESISTANCE: < 1mΩ UNDER 10 A

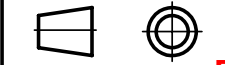
CATALOGUE NUMBER	WIRE SIZE		φ	MAX. CURRENT
	AWG	MM²		
R*16PIE51---LF	16	1.3	1.7	10 A
R*12PIE51---LF	12	4.0	2.8	20 A
R*10PIE51---LF	10	6.0	3.5	30 A

PLATING CODE

NOTE:

- 1, FOR MISSING INFO SEE DRAWING BS.C , 201624 , 028
- 2, THE PRODUCT (LF) MEETS EUROPEAN UNION DIRECTIVES AND OTHER COUNTRY REGULATIONS AS DESCRIBED IN GS-22-008.

1DEC ± 0,2 2DEC ± 0,1 ANGLES ± 1°	<b>APPR.</b>	<b>DATE</b>	<b>SIGN.</b>	MALE / FEMALE POWER CONTACTS (HANDSOLDER)
	DRAFT	1993-05-05	W.P.	<b>CAT. No.</b> R---PIE51---LF
	CHECKED			
WE RESERVE THE RIGHT TO CHANGE DIMENSIONS OR REQUIREMENTS WITHOUT PRIOR NOTICE.	PROD. MGR.			 www.fciconnect.com
	PR. ENG. MGR.			
ALL DIMENSIONS IN MM	PR. MGT. MGR.			



REFERENCES

BS.C , 201624 , 002 B

THIS IS OUR EXCLUSIVE PROPERTY. IT IS NOT TO BE COPIED, REPRINTED OR DISCLOSED TO A THIRD PARTY, NOR USED FOR MANUFACTURING WITHOUT OUR WRITTEN CONSENT, AND HAS TO BE RETURNED TO US IN CASE OF NO USAGE

DIT IS ONZE EIGENDOM EN MAG NIET NAGEMAAKT, HERDRUKT, OVERGEMAAKT AAN DERDEN, NOCH VOOR FABRIKATIE GEBRUIKT WORDEN, ZONDER ONZE SCHRIFTELIJKE TOELATING. BIJ NIET GEBRUIK IS TERUGZENDING VERPLICHT.