

THIS DRAWING IS UNPUBLISHED.

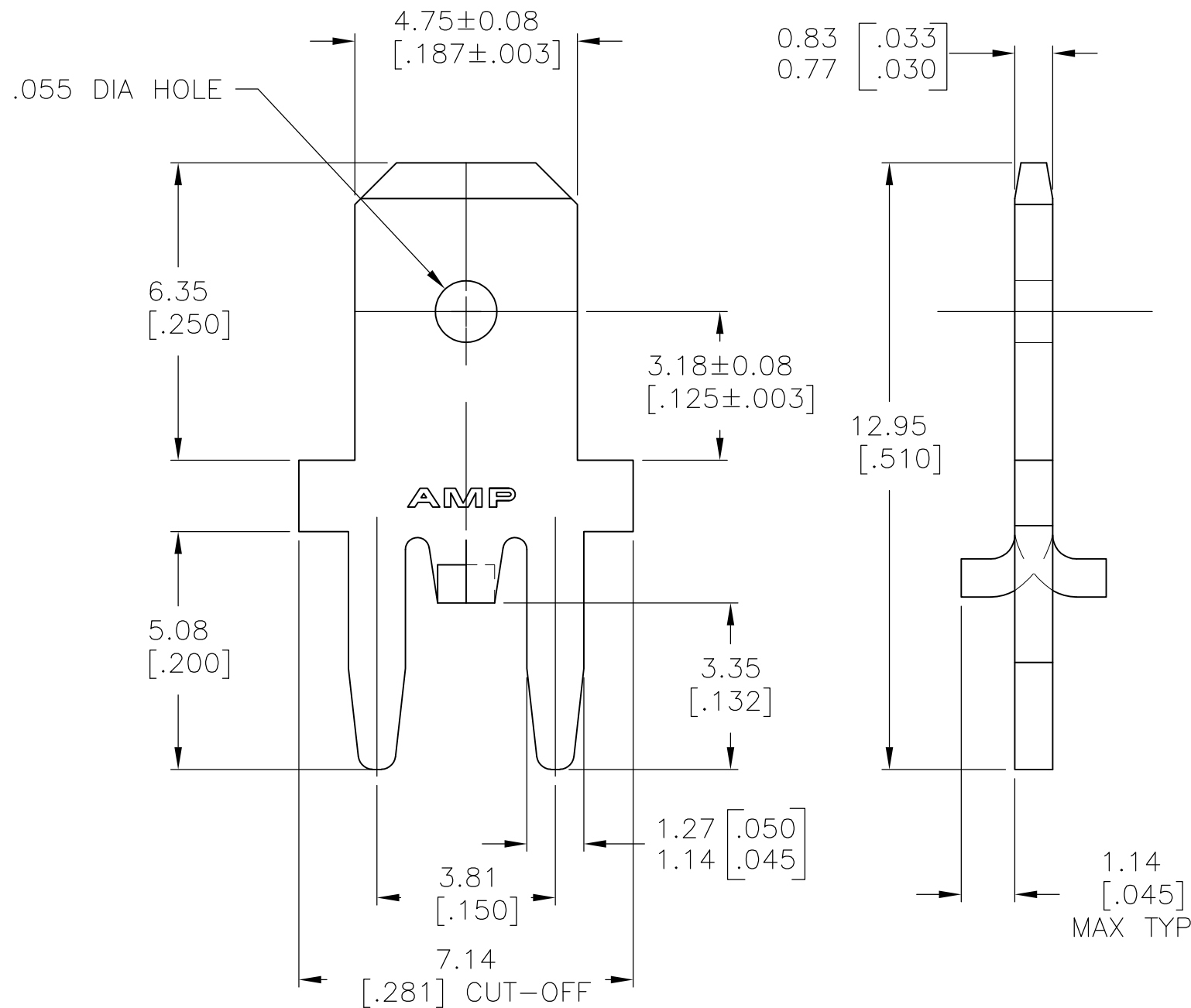
RELEASED FOR PUBLICATION

ALL RIGHTS RESERVED.

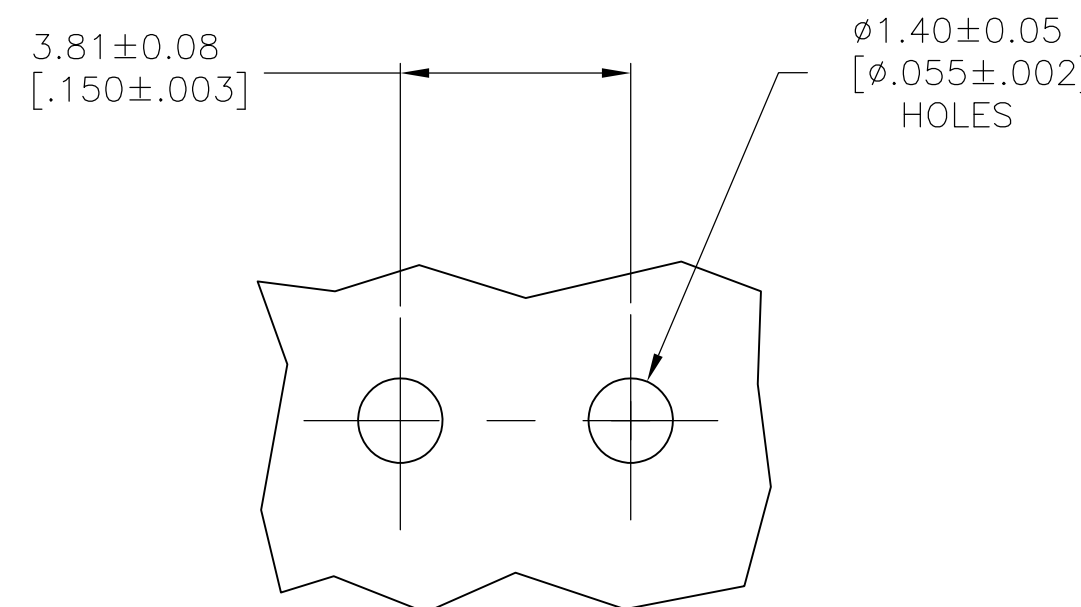
© COPYRIGHT - By -

REVISIONS

P	LTR	DESCRIPTION	DATE	DWN	APVD
	B2	REVISED PER ECO-16-013857	22SEP2016	RS	DH



- 1 CONTINUOUS STRIP ON REELS, PITCH IS 7.14±0.076 [.281±.003].
- 2 TIN PLATE 0.00381 [.000150] MIN OVER 0.00254 [.000100] MIN THK COPPER.



P.C. BOARD HOLE PATTERN

LOOSE	1742646-2
STRIP	1742646-1
FORM	PART NO.

THIS DRAWING IS A CONTROLLED DOCUMENT.		DWN JR RUTH 05OCT07	TE Connectivity		
DIMENSIONS: mm [INCHES]		CHK JOHN KNOLL 05OCT07			
TOLERANCES UNLESS OTHERWISE SPECIFIED:		APVD JOHN KNOLL 05OCT07	TAB, FASTON, P.C.BOARD		
0 PLC ± - 1 PLC ± - 2 PLC ± 0.25 [.010] 3 PLC ± - 4 PLC ± - ANGLES ± -		PRODUCT SPEC -	4.75 [.187]		
MATERIAL BRASS		FINISH	APPLICATION SPEC 114-2115	SIZE A3	CAGE CODE 00779
			WEIGHT 0.000000	DRAWING NO C-1742646	RESTRICTED TO -
			CUSTOMER DRAWING	SCALE 8:1	SHEET 1 OF 1
				REV B2	