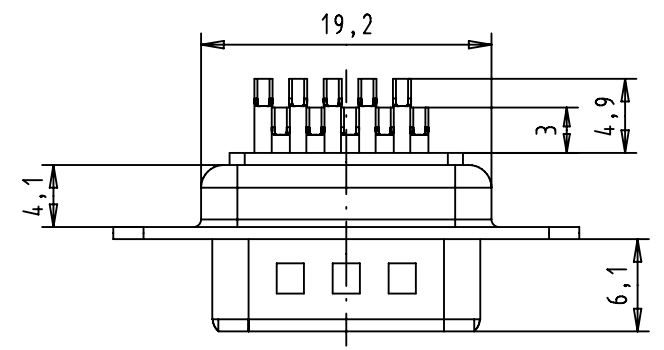
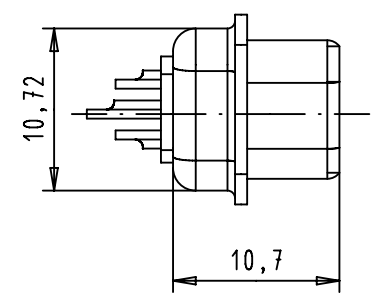
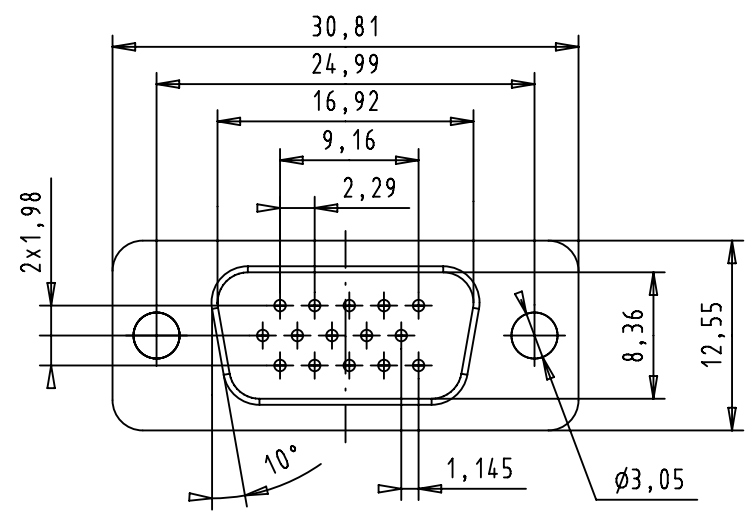


A
B
C
D



Entry hole type : stamped contact

09 56 100 5604	3
Part number	Performance level

	All rights reserved Department EC PD - FR HARTING Electronics GmbH & Co. KG D-32339 Espelkamp	All Dimensions in mm Original Size DIN A4	Scale 2:1	Free size tol.	Ref. Sub.
		Created by DOUGE	Inspected by BAGDIKIAN	Standardisation HOFFMANN	Date 2012-09-12
Title D-Sub HD 15P male straight solder cup					Doc-Key / ECM-Nr. 100513236/UGD/001/A 500000055151
Type TB		Number 09561005604			Rev. A
					Page 1/1