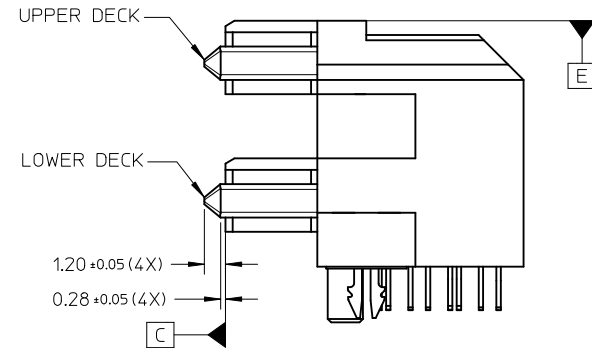


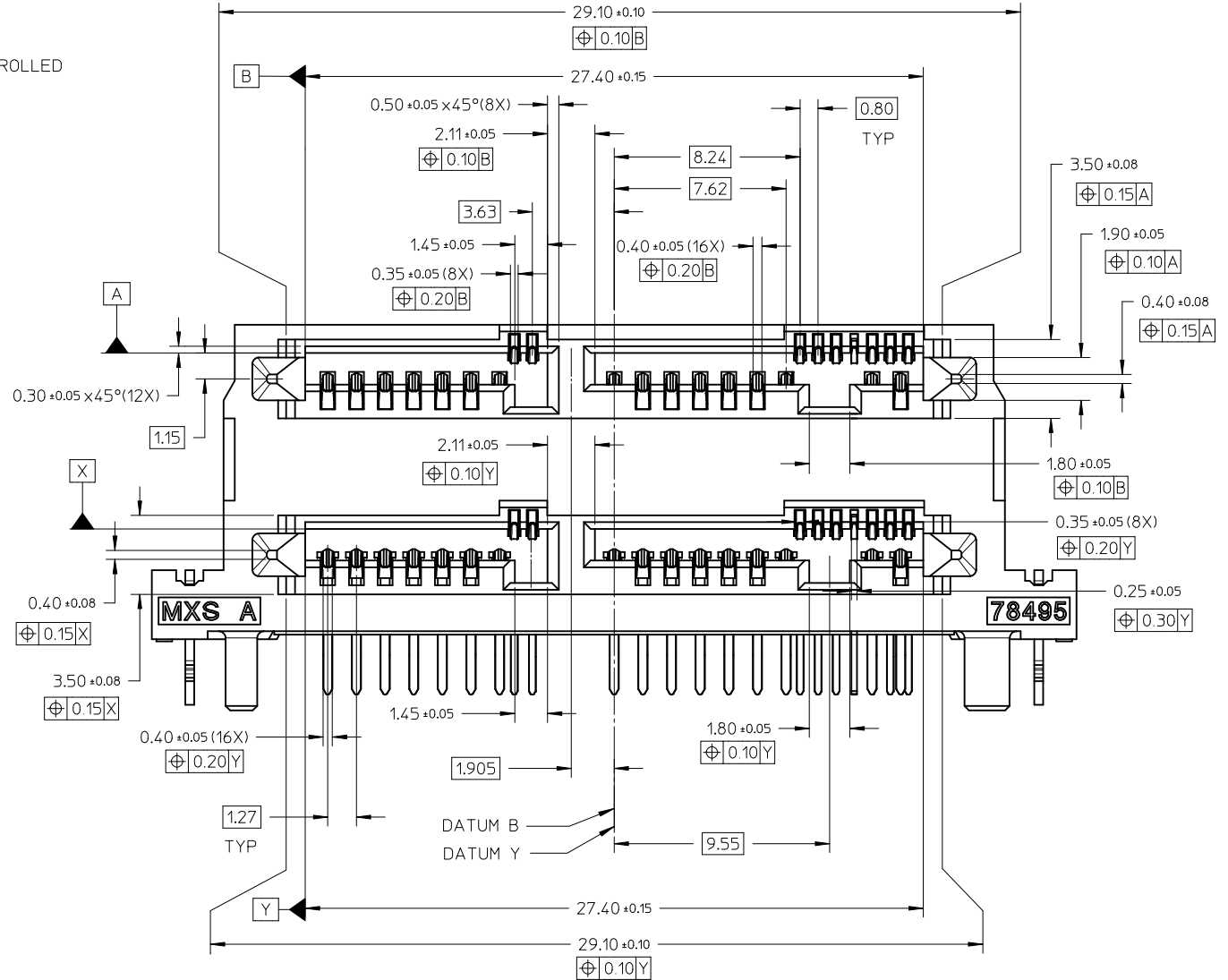
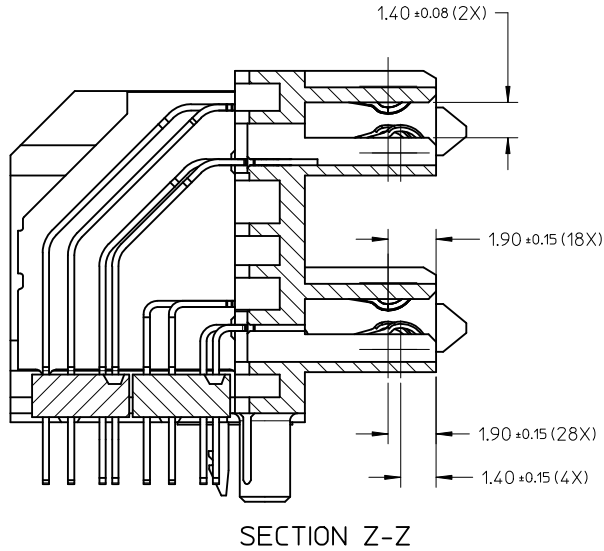
NOTES:

- MATERIAL : LCP, GLASS FILLED, UL 94V-0, BLACK  
TERMINAL/FORKLOCK : COPPER ALLOY
- FINISHES :  
TERMINAL :  
CONTACT: 0.76µm MIN. SELECTIVE GOLD OVER  
1.27µm MIN. NICKEL UNDERPLATE  
SOLDERTAIL: 2.54µm MIN. TIN OVER  
1.27µm MIN. NICKEL UNDERPLATE  
FORKLOCK:  
OVERALL: 2.54µm MIN. TIN OVER  
1.27µm MIN. NICKEL UNDERPLATE
- PRODUCT SPECIFICATION : PS-78495-001
- PACKAGING SPECIFICATION : PK-78495-001
- MATES WITH : MOLEX MICRO SAS PLUGS  
APPLICABLE TO MOLEX PART NO: 78394 SERIES.
- MOLEX LOGO AND PART NUMBER LOCATED APPROXIMATELY AS SHOWN
- THIS PRODUCT IS COMPLIANT TO RoHS DIRECTIVE WITH THE FOLLOWING BANNED SUBSTANCES - LEAD, MERCURY, CADMIUM, HEXAVALENT CHROMIUM, POLYBROMINATED BIPHENYLS AND POLYBROMINATED DIPHENYLS ETHERS.
- NON FUNCTIONAL CORING MAY VARY.
- DATE CODE LOCATED APPROXIMATELY AS SHOWN.
- PINCOVER TO BE PUSHED BACKWARDS TO MAXIMUM WHEN MEASURING.
- VIEWS ON PAGES 1,2,3 AND 5 ARE WITHOUT PINCOVER.
- PART TO INCLUDE PINCOVER WHEN SHIPPED.

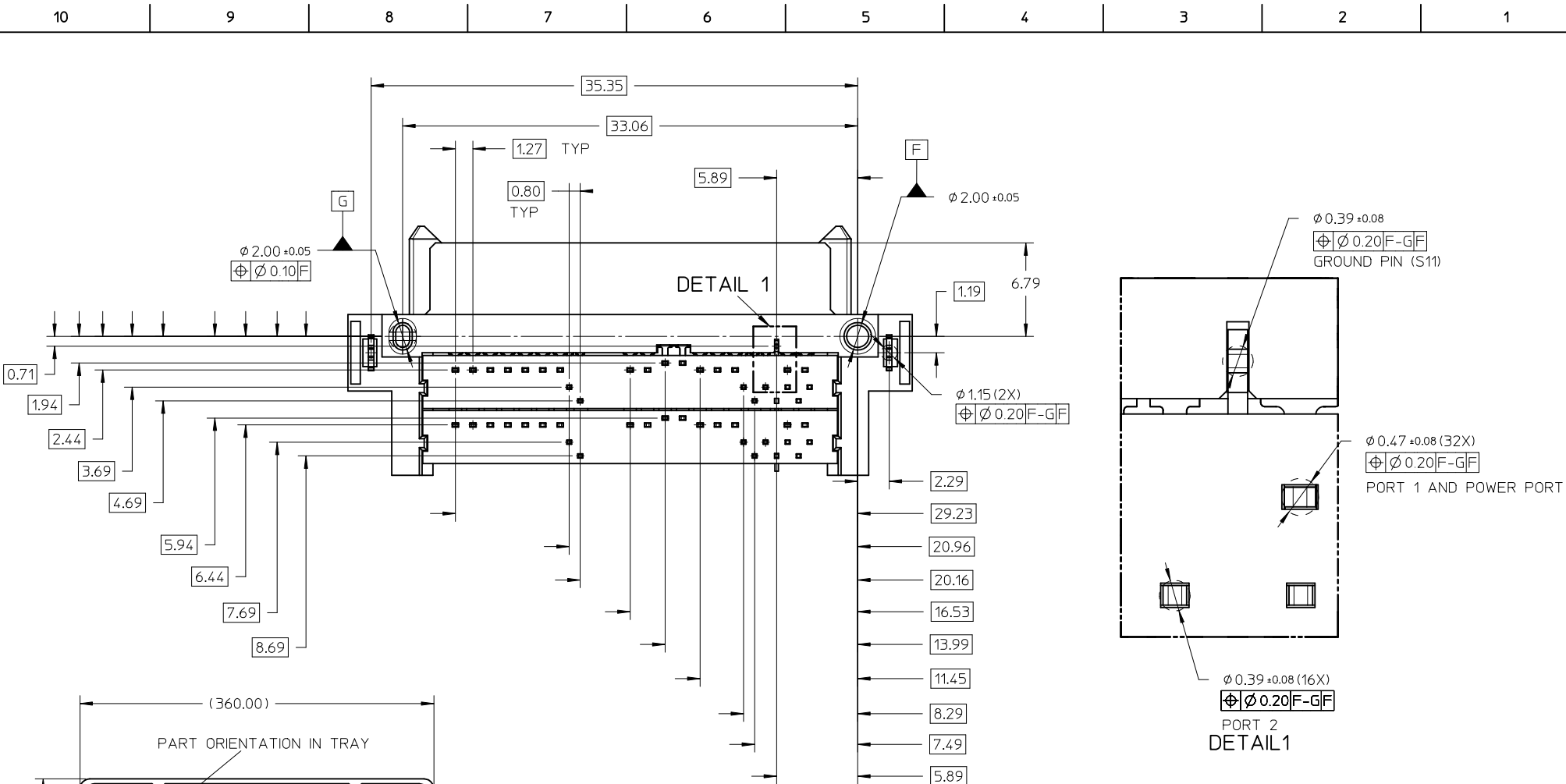


ADD PINCOVER EC NO: S2010-0900 DRWN:WJAP CHKD:CGOH APPR:BOKOK	DESCRIPTION 2010/09/24 2010/10/12 2010/10/13	QUALITY SYMBOLS	GENERAL TOLERANCES (UNLESS SPECIFIED)	DIMENSION STYLE	SCALE	DESIGN UNITS	THIRD ANGLE PROJECTION
		$F_A=0$ $F_C=0$ $F_P=0$	mm    INCH 4 PLACES ± --- ± --- 3 PLACES ± --- ± --- 2 PLACES ± 0.20 ± --- 1 PLACE ± --- ± --- ANGULAR ± 3 °	MM ONLY	NTS	METRIC	
			DRAFT WHERE APPLICABLE MUST REMAIN WITHIN DIMENSIONS	DRAWN BY	DATE	TITLE	
				APPROVED BY	DATE		
A	REV			MATERIAL NO.	DOCUMENT NO.		
				78495-0001	SD-78495-001		
				THIS DRAWING CONTAINS INFORMATION THAT IS PROPRIETARY TO MOLEX INCORPORATED AND SHOULD NOT BE USED WITHOUT WRITTEN PERMISSION			

DIMENSIONAL CONTROL SHOWN IN THIS SHEET ARE CONTROLLED TO THE DATUMS OF EACH DECK RESPECTIVELY.

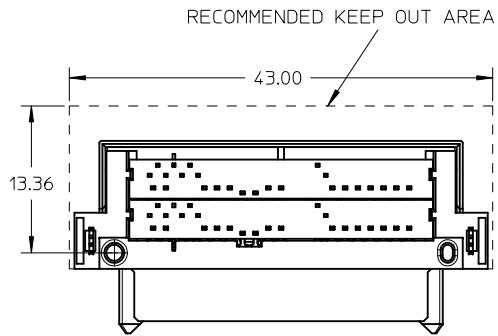
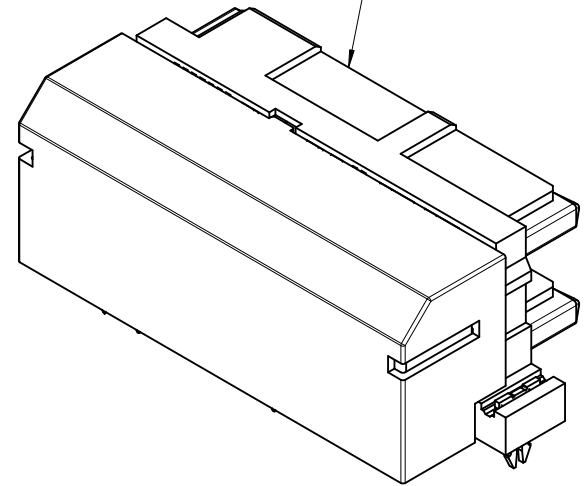
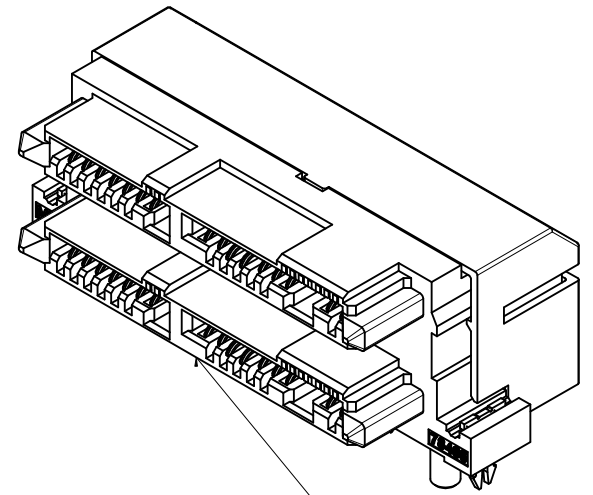
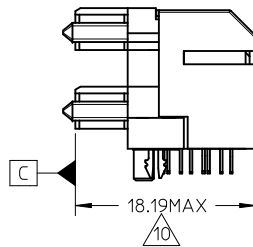
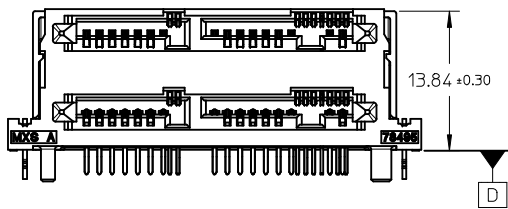
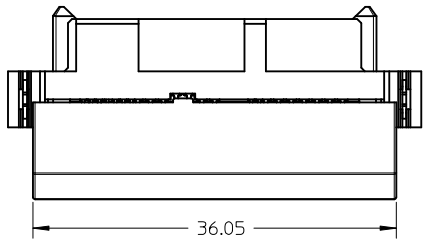


ADD PINCOVER EC NO: S2010-0900 DRWN:WJAP CHKD:CGOH APPR:BOKOK	2010/09/24 2010/10/12 2010/10/13	DESCRIPTION REV	QUALITY SYMBOLS $F_A=0$ $F_C=0$ $F_P=0$	GENERAL TOLERANCES (UNLESS SPECIFIED)		DIMENSION STYLE		SCALE	DESIGN UNITS	THIRD ANGLE PROJECTION	
				mm	INCH	MM ONLY	NTS	METRIC			
DRAWN BY				DATE		TITLE					
CHECKED BY				DATE		MICRO SAS RECEPTACLE DUAL STACK R/A T/H 7.8MM HEIGHT MOLEX INCORPORATED					
APPROVED BY				DATE							
MATERIAL NO.				DOCUMENT NO.		SHEET NO.					
78495-0001				SD-78495-001		2 OF 5					
DRAFT WHERE APPLICABLE MUST REMAIN WITHIN DIMENSIONS				THIS DRAWING CONTAINS INFORMATION THAT IS PROPRIETARY TO MOLEX INCORPORATED AND SHOULD NOT BE USED WITHOUT WRITTEN PERMISSION							



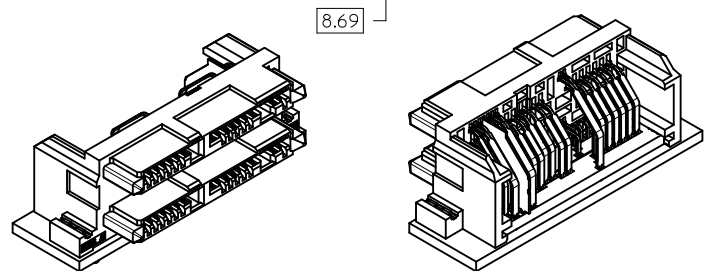
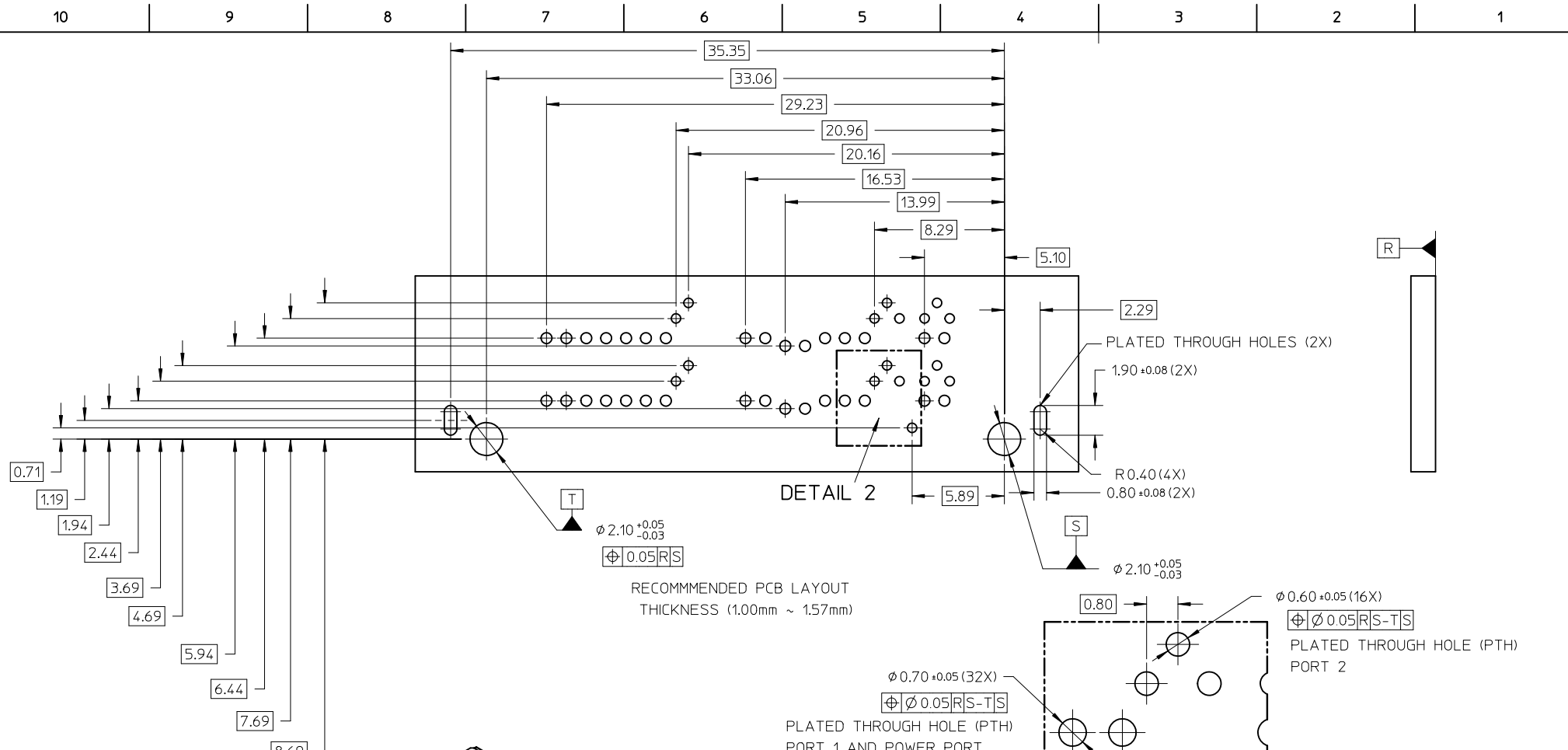
ADD PINCOVER EC NO: S2010-0900 DRWN:WJAP CHKD:CGOH APPR:BOKOK	2010/09/24	QUALITY SYMBOLS $\nabla_A = 0$ $\nabla_C = 0$ $\nabla_P = 0$	GENERAL TOLERANCES (UNLESS SPECIFIED)		DIMENSION STYLE MM ONLY		SCALE NTS	DESIGN UNITS METRIC	THIRD ANGLE PROJECTION
	2010/10/12		mm	INCH	DRAWN BY KHLIM	DATE 2009/10/12	TITLE MICRO SAS RECEPTACLE DUAL STACK R/A T/H 7.8MM HEIGHT		
	2010/10/13		4 PLACES $\pm$ ---	$\pm$ ---	CHECKED BY CGOH	DATE 2009/12/03	MOLEX INCORPORATED DOCUMENT NO. SD-78495-001		
			3 PLACES $\pm$ ---	$\pm$ ---	APPROVED BY BOKOK	DATE 2009/12/03		SHEET NO. 3 OF 5	
A	DESCRIPTION	DRAFT WHERE APPLICABLE MUST REMAIN WITHIN DIMENSIONS		SIZE A3	THIS DRAWING CONTAINS INFORMATION THAT IS PROPRIETARY TO MOLEX INCORPORATED AND SHOULD NOT BE USED WITHOUT WRITTEN PERMISSION				

10 9 8 7 6 5 4 3 2 1



ADD PINCOVER EC NO: S2010-0900 DRWN:WJAP CHKD:CGOH APPR:BOKOK	2010/09/24	DESCRIPTION ADD PINCOVER	QUALITY SYMBOLS	GENERAL TOLERANCES (UNLESS SPECIFIED)		DIMENSION STYLE MM ONLY		SCALE NTS	DESIGN UNITS METRIC	THIRD ANGLE PROJECTION	
	2010/10/12		$F_A=0$ $F_G=0$ $F_P=0$	mm    INCH 4 PLACES ± --- ± --- 3 PLACES ± --- ± --- 2 PLACES ± 0.20 ± --- 1 PLACE ± --- ± ---	DRAWN BY: KHL IM CHECKED BY: CGOH APPROVED BY: BOKOK	DATE: 2009/10/12 DATE: 2009/12/03 DATE: 2009/12/03	TITLE: MICRO SAS RECEPTACLE DUAL STACK R/A T/H 7.8MM HEIGHT				
	2010/10/13		ANGULAR ± 3 °	DRAFT WHERE APPLICABLE MUST REMAIN WITHIN DIMENSIONS		MATERIAL NO. 78495-0001		MOLEX INCORPORATED			
	A		SIZE A3	THIS DRAWING CONTAINS INFORMATION THAT IS PROPRIETARY TO MOLEX INCORPORATED AND SHOULD NOT BE USED WITHOUT WRITTEN PERMISSION							

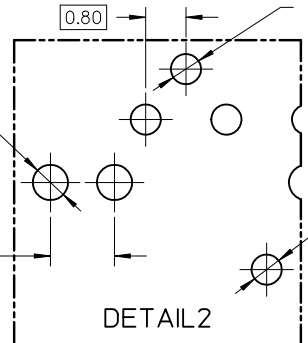
9 8 7 6 5 4 3 2 1



ASSEMBLY WITHOUT PINCOVER

DETAIL 2

RECOMMENDED PCB LAYOUT  
THICKNESS (1.00mm ~ 1.57mm)



ADD PINCOVER EC NO: S2010-0900 DRWN:WJAP CHKD:CGOH APPR:BOKOK	2010/09/24 2010/10/12 2010/10/13	QUALITY SYMBOLS $F_A=0$ $F_G=0$ $F_P=0$	GENERAL TOLERANCES (UNLESS SPECIFIED)		DIMENSION STYLE <b>MM ONLY</b>		SCALE NTS	DESIGN UNITS METRIC	THIRD ANGLE PROJECTION			
			4 PLACES 3 PLACES 2 PLACES 1 PLACE	mm INCH	DRAWN BY KHL IM	DATE 2009/10/12	TITLE <b>MICRO SAS RECEPTACLE          DUAL STACK R/A T/H          7.8MM HEIGHT</b>					
			ANGULAR $\pm 3^\circ$	CHECKED BY CGOH	DATE 2009/12/03	MOLEX INCORPORATED						
	DRAFT WHERE APPLICABLE MUST REMAIN WITHIN DIMENSIONS		MATERIAL NO. <b>78495-0001</b>	APPROVED BY BOKOK	DATE 2009/12/03	DOCUMENT NO. <b>SD-78495-001</b>	SHEET NO. <b>5 OF 5</b>					