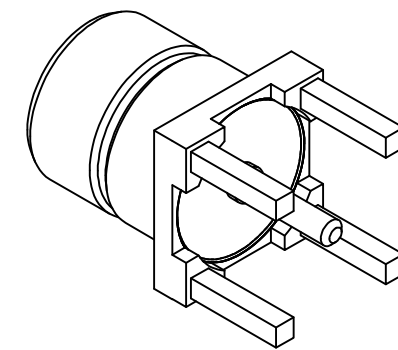


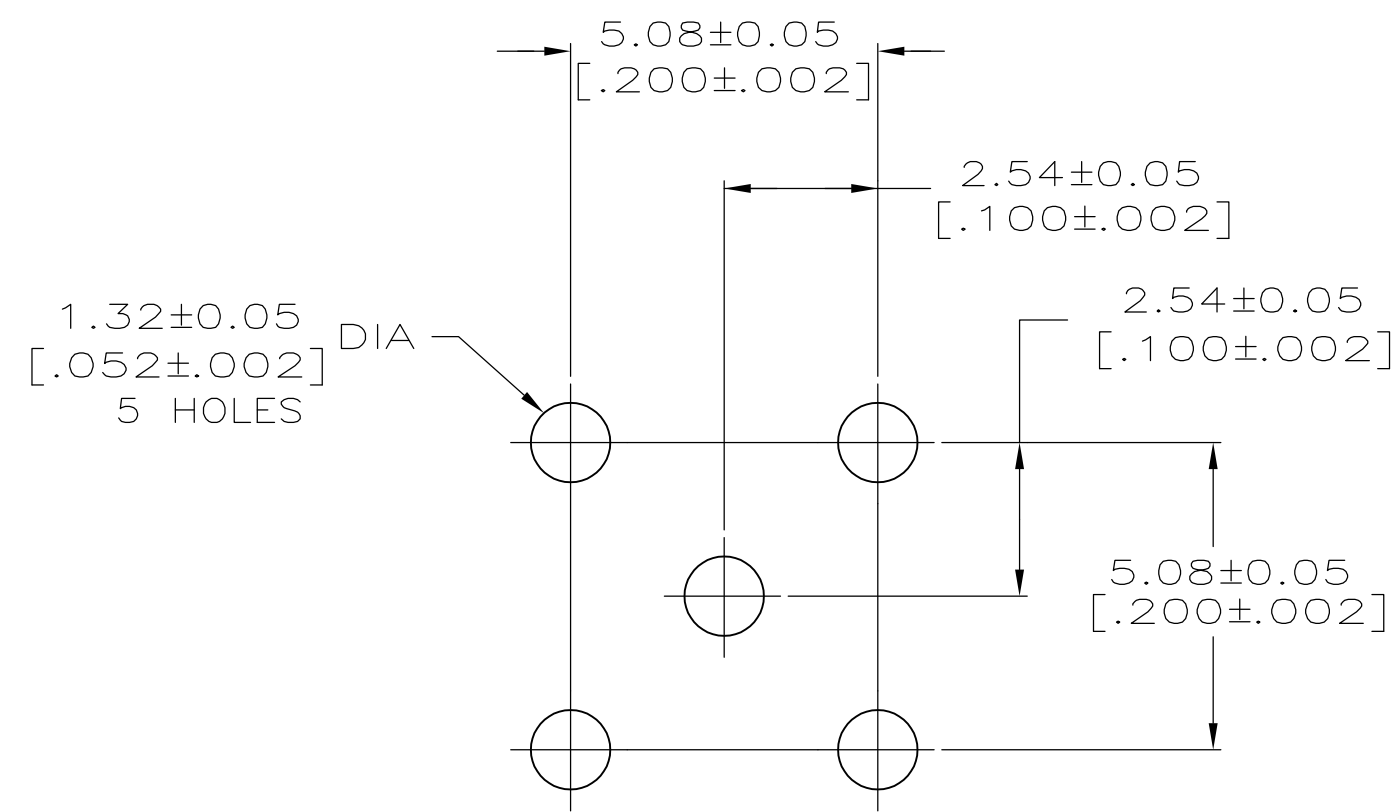
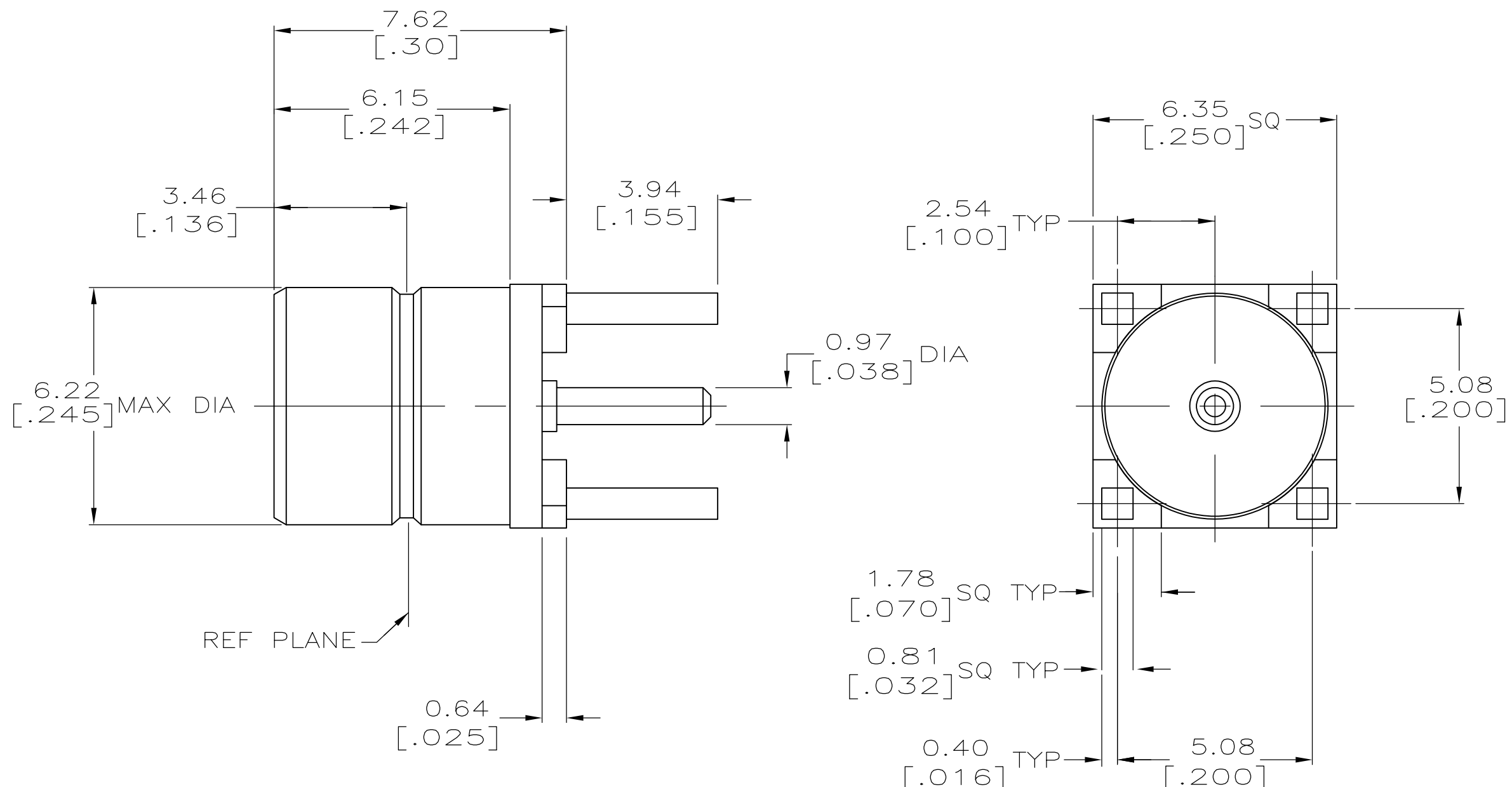
THIS DRAWING IS UNPUBLISHED. RELEASED FOR PUBLICATION
 © COPYRIGHT - By - ALL RIGHTS RESERVED.

LOC	DIST	REVISIONS			
P	LTR	DESCRIPTION	DATE	DWN	APVD
AJ	16	A	ECR-12-005726	27MAR12	RK MY



ISOMETRIC VIEW

- 1 BRASS PER ASTM-B-453
- 2 PTFE PER ASTM-D-1710
- 3 GOLD PLATE PER MIL-G-45204 OVER NICKEL PLATE PER QQ-N-290.
- 4 TIN PLATE PER ASTM B 545.



RECOMMENDED PCB CONFIGURATION

—	3	4	5414244-4
DIELECTRIC	CONTACT	BODY	ASSY NO
FINISH			

THIS DRAWING IS A CONTROLLED DOCUMENT.		DWN 31JAN2005 G. ATTADIA - DOCK5	TE TE Connectivity	
DIMENSIONS: INCHES		CHK 31JAN2005 J. HAVENER		
TOLERANCES UNLESS OTHERWISE SPECIFIED:		APVD 31JAN2005 J. HAVENER	NAME	
0 PLC ± -		PRODUCT SPEC		
1 PLC ± -		APPLICATION SPEC		
2 PLC ± 0.25[.01]		—		
3 PLC ± 0.130[.005]		—		
4 PLC ± -		—		
ANGLES ± -		—		
MATERIAL	FINISH	WEIGHT	SIZE	CAGE CODE
SEE TABLE	SEE TABLE	—	A2	00779
CUSTOMER DRAWING		SCALE	DRAWING NO	RESTRICTED TO
		8:1	C=5414244	—
		SHEET	1 of 1	REV
				A

5414244