

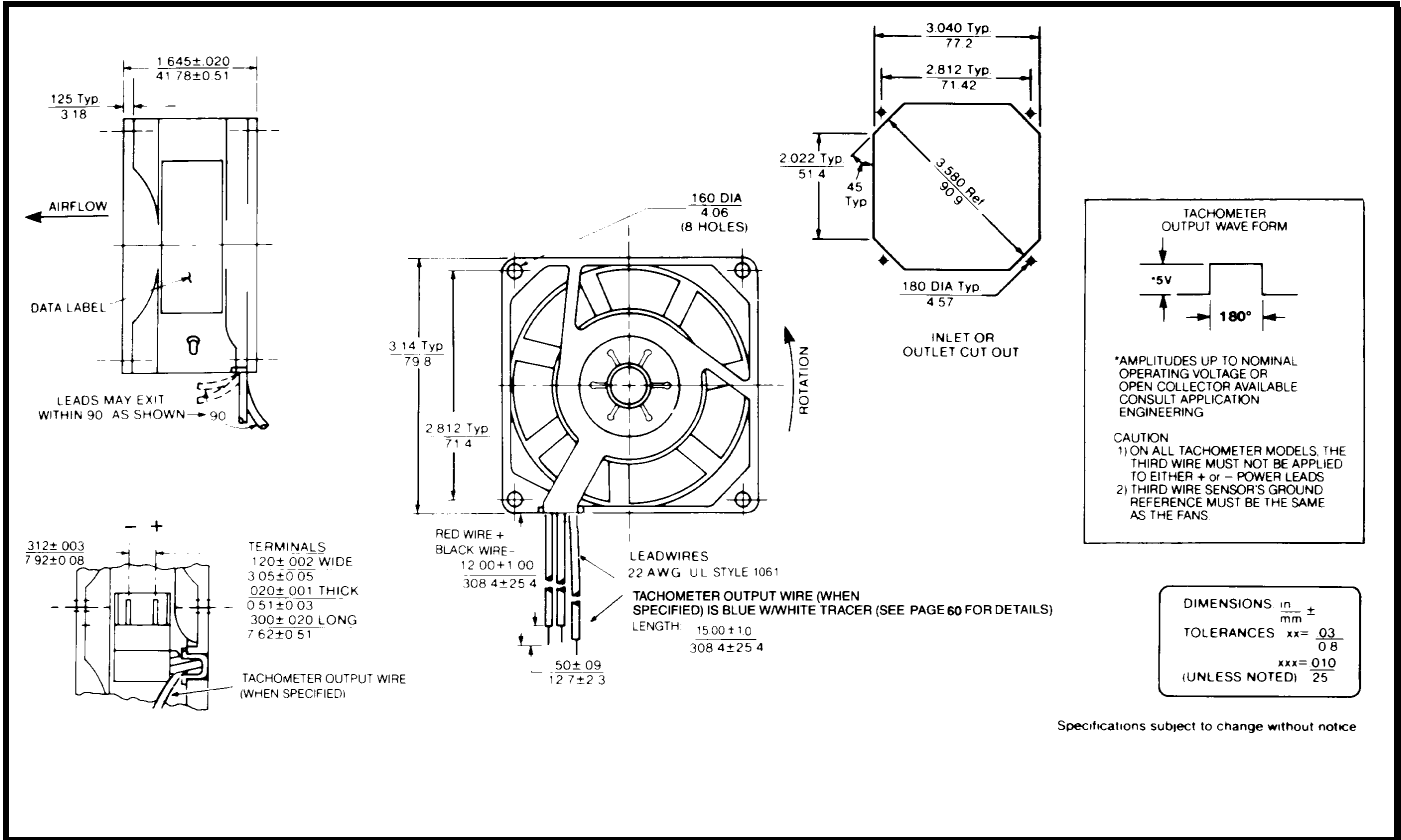
SPECIFICATIONS



Model Number: SD48B2
Part Number: 19032003A

December 15, 2000

Mechanical Drawing:



Motor:

Nominal Voltage = 48 Vdc
 Operating Voltage Range = 24 – 56 Vdc
 Nominal Running Current = 0.065 Amps
 Locked Rotor Current = 0.250 Amps
 Running Power = 3.1 Watts
 Average Speed = 3500 RPM
 Bearings = Ball
 Airflow = 35 CFM
 Acoustic = 47.6 dBA

Construction:

Venturi: One Piece Die-Cast Zinc Alloy, Black
 Propeller: Polypropylene, Black, UL 94V-0

Life Expectancy:

This fan is designed for continuous duty life of 83,000 hours at 40°C

Additional Features:

Brushless DC Motor
 Automatic Restart Capability
 Electronic Locked Rotor Protection
 Polarity Protected
 Operating Temperature: -10°C to +70°C
 Storage Temperature: -40°C to +85°C

Termination:

Two terminals

Agency Approvals:

UL, CE