

# C4532NP02W683J320KA

TDK Item Description : C4532NP02W683JT\*\*\*\*

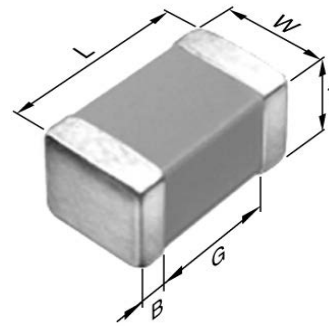


## Application & Main Feature

Commercial Grade ( High Temperature Application )

## Series

C4532 [EIA CC1812]



## Dimensions

L	4.50mm +/-0.4mm
W	3.20mm +/-0.4mm
T	3.20mm +/-0.3mm
B	0.20mm Min.
G	

## Temperature Characteristic

NP0 (-55 to 150 degC 0+/-30ppm/degC)

## Rated Voltage

2W (450Vdc)

## Capacitance

68nF

## Capacitance Tolerance

J (+/-5%)

## Q Factor

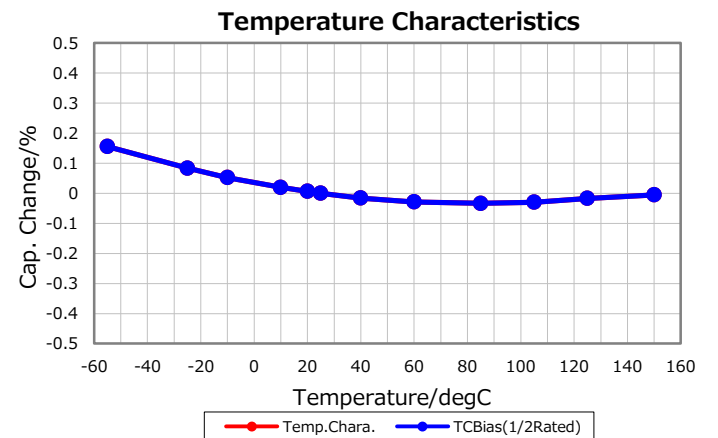
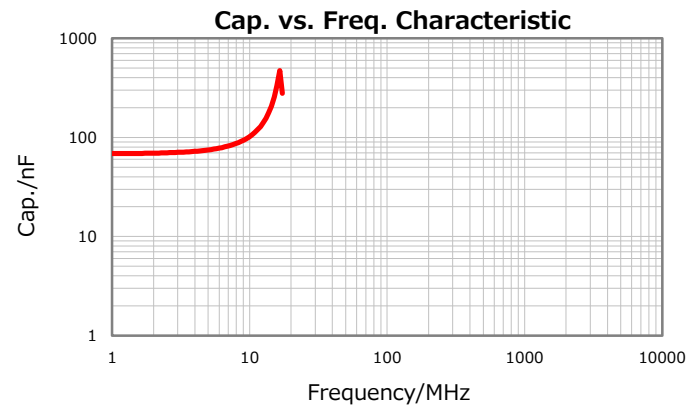
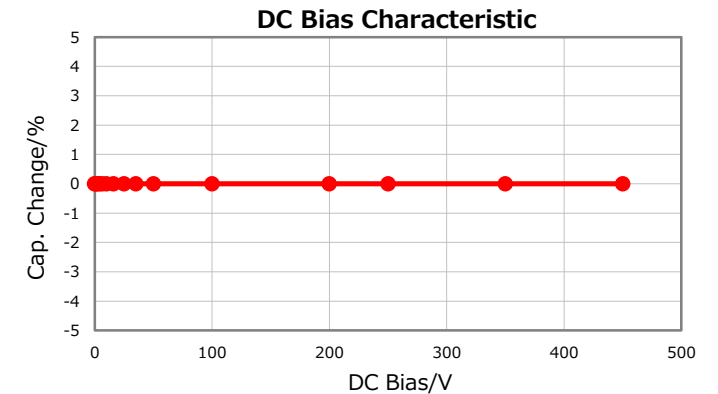
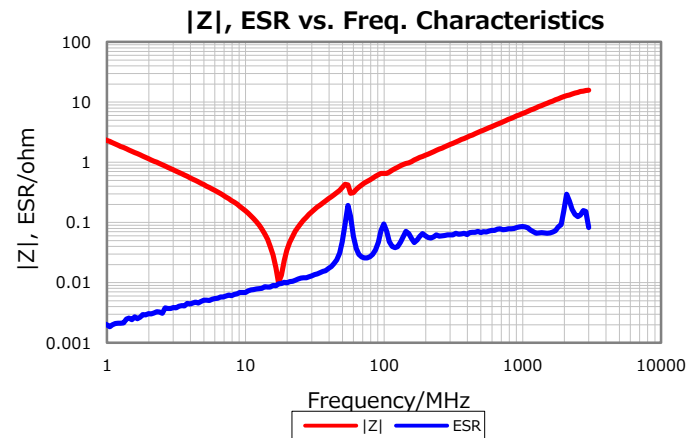
1000 Min.

## Insulation Resistance

7.35Gohm Min

## AEC-Q200

Not Applicable



Characterization Sheet ( Multilayer Ceramic Chip Capacitors )



All specifications are subject to change without notice.

April 13, 2016