

4

3

2

1

THIS DRAWING IS UNPUBLISHED.

RELEASED FOR PUBLICATION

20

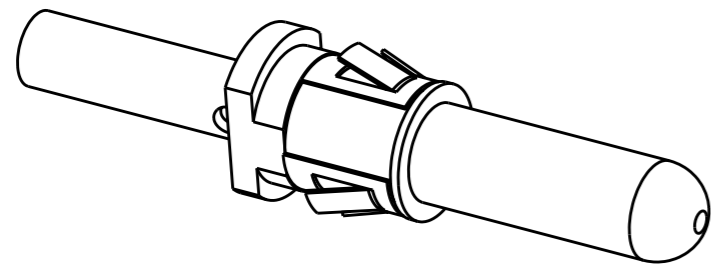
© COPYRIGHT 20

BY TYCO ELECTRONICS CORPORATION. ALL INTERNATIONAL RIGHTS RESERVED.

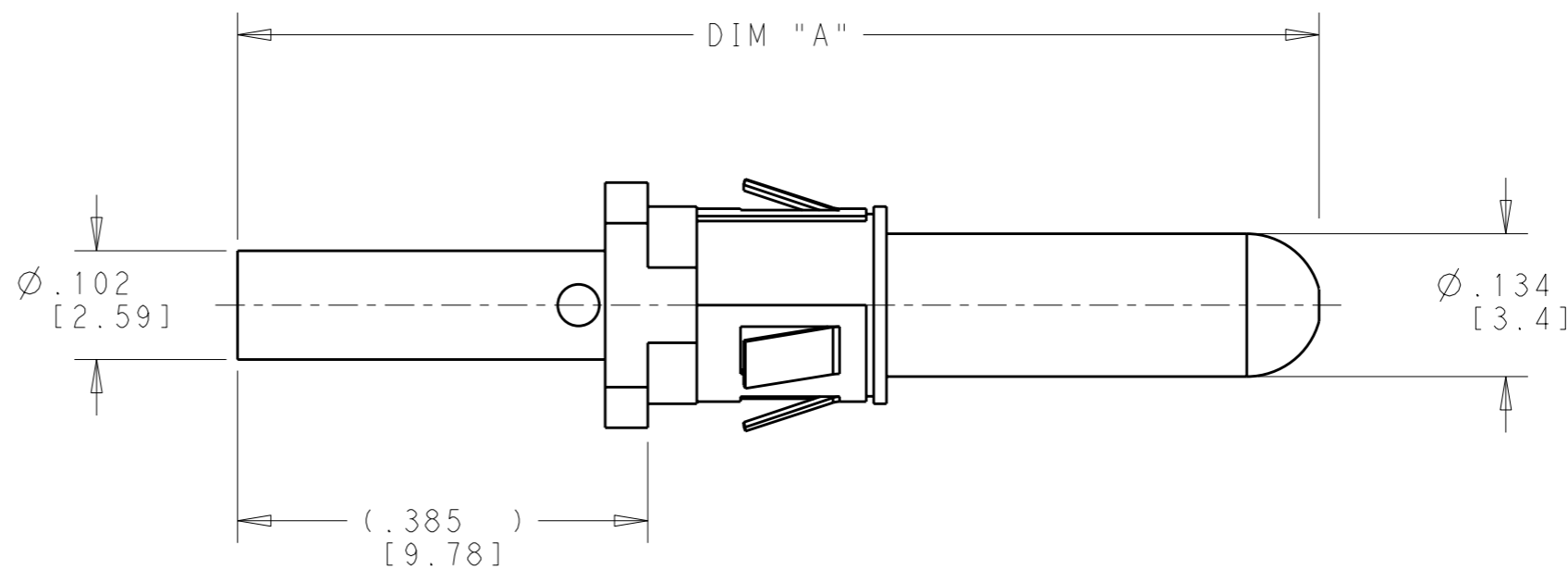
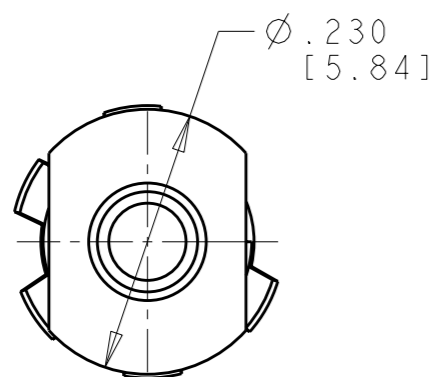
LOC GP DIST 00

REVISIONS

P	LTR	DESCRIPTION	DATE	DWN	APVD
	B	REV PER ECO-10-020683	12OCT2010	RG	DO



SCALE 4:1



1 MATERIAL:
 PIN BODY: COPPER ALLOY
 RETENTION CLIP: STAINLESS STEEL

2 FINISH:
 PIN BODY: GOLD PLATE .000030 (0.76µm) MIN THK GOLD OVER
 .000050 (1.27µm) MIN THK NICKEL

3. WIRE BARREL WILL ACCEPT No.18 - 16 AWG WIRE

4. MATES WITH P/N 1986607-1

1.045 [26.54]	1986617-2
1.015 [25.78]	1986617-1
DIM "A"	PART NO.

THIS DRAWING IS A CONTROLLED DOCUMENT FOR TYCO ELECTRONICS CORPORATION IT IS SUBJECT TO CHANGE AND THE CONTROLLING ENGINEERING ORGANIZATION SHOULD BE CONTACTED FOR THE LATEST REVISION.		DWN R. GRZYBOWSKI 15DEC2009	Tyco Electronics Harrisburg, PA 17105-3608													
DIMENSIONS: INCHES [mm]		CHK G. STEINHAUER 15DEC2009														
TOLERANCES UNLESS OTHERWISE SPECIFIED:		APVD M. PERCHERKE 15DEC2009	NAME PIN, POWER MODIFIED 8 - 16 AWG													
<table border="0"> <tr><td>0 PLC</td><td>±-</td></tr> <tr><td>1 PLC</td><td>±-</td></tr> <tr><td>2 PLC</td><td>±.02 [0.5]</td></tr> <tr><td>3 PLC</td><td>±.010 [0.25]</td></tr> <tr><td>4 PLC</td><td>±-</td></tr> <tr><td>ANGLES</td><td>±-</td></tr> </table>		0 PLC	±-	1 PLC	±-	2 PLC	±.02 [0.5]	3 PLC	±.010 [0.25]	4 PLC	±-	ANGLES	±-	PRODUCT SPEC -	SIZE A3	
0 PLC	±-															
1 PLC	±-															
2 PLC	±.02 [0.5]															
3 PLC	±.010 [0.25]															
4 PLC	±-															
ANGLES	±-															
MATERIAL -		APPLICATION SPEC -	CAGE CODE 00779	DRAWING NO 1986617												
FINISH -		WEIGHT -	RESTRICTED TO -													
		CUSTOMER DRAWING	SCALE 6:1	SHEET 1 OF 1												
				REV B												