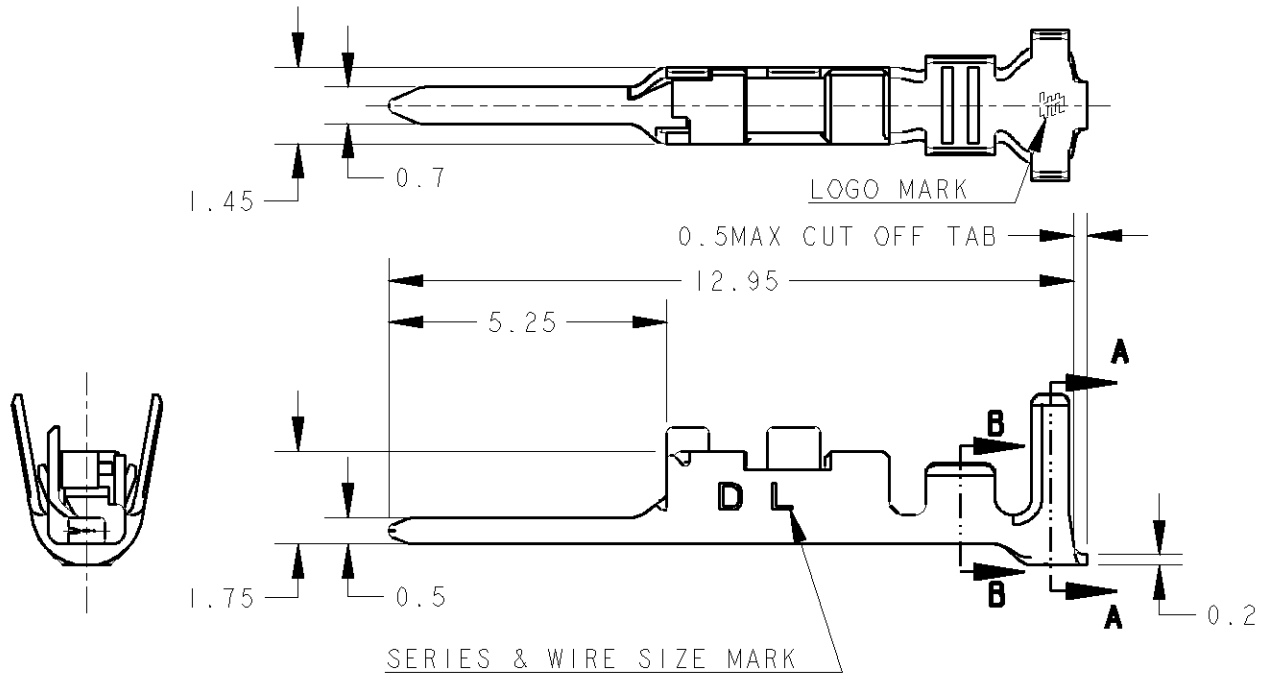


LOC J	DIST	REVISIONS 変更					
		P	LTR	DESCRIPTION	DATE	DWN	APVD
			B	REVISED PER ECR-10-010439	07JUN2010	HMR	T.M



1. APPLICATION TAB-HSG IS APPLIED TO THE PRODUCT OF 2.5mm PITCH OR MORE OF DYNAMIC D1000 SERIES. 2.0mm PITCH CANNOT BE USED.
2. THE SHAPE, SIZE AND POSITION OF THE CHARACTER SHOW THE OUTLINE. THEY DON'T SHOW DETAILS.

1. DYNAMIC D1000シリーズの2.5mmピッチ以上のTAB-HSG製品に適用。
2. 0mmピッチの製品には使用不可。
2. 文字の形状、大きさ、および位置については、大略を示すものであり、詳細を示すものではありません。

AS SHOWN: 1903117-2

<p>△ COPPER ALLOY: FINISH; CONTACT AREA Au 0.38μmMIN, OVER Ni 1.27μmMIN</p> <p>△ 銅合金: 下地; 全面ニッケルめっき1.27μm以上, 接点部; 金めっき0.38μm以上</p>	1903117-2
MATERIAL (材料)	PART NO (型番)

2006

RELEASED FOR PUBLICATION

BY TYCO ELECTRONICS CORPORATION. ALL INTERNATIONAL RIGHTS RESERVED.

THIS DRAWING IS UNPUBLISHED. COPYRIGHT 2006

DIMENSIONS: 単位: 耗 mm	DWN M. MAEBASHI 11 APR 2006	WIRE RANGE 総合電線断面積 mm ² 0.08~0.38	AWG#28~#22	INSULATION DIA 被覆外径 φ1.08~φ1.9
TOLERANCES UNLESS OTHERWISE SPECIFIED: 一般公差 ±0.3, ±3°	CHK T. KUDO 11 APR 2006	MATERIAL 材料	FINISH 仕上	
0 PLC ±	APVD D. MITSUGI 11 APR 2006	Tyco Electronics Corporation Kawasaki, Japan		
1 PLC ±	PRODUCT SPEC 製品規格 108-78268	NAME 名称 DYNAMIC D1000 SERIES TAB CONTACT Au, L-TYPE L/P		
2 PLC ±	APPLICATION SPEC 取付適用規格 114-5377	SIZE A4	CAGE CODE 00779	DRAWING NO 番号 C-1903117
3 PLC ±	WEIGHT 0.076 g	RESTRICTED TO		
4 PLC ±	RESTRICTED CUSTOMER	SCALE 尺度 7:1	SHEET 1	OF 1
ANGLES ±			REV B	