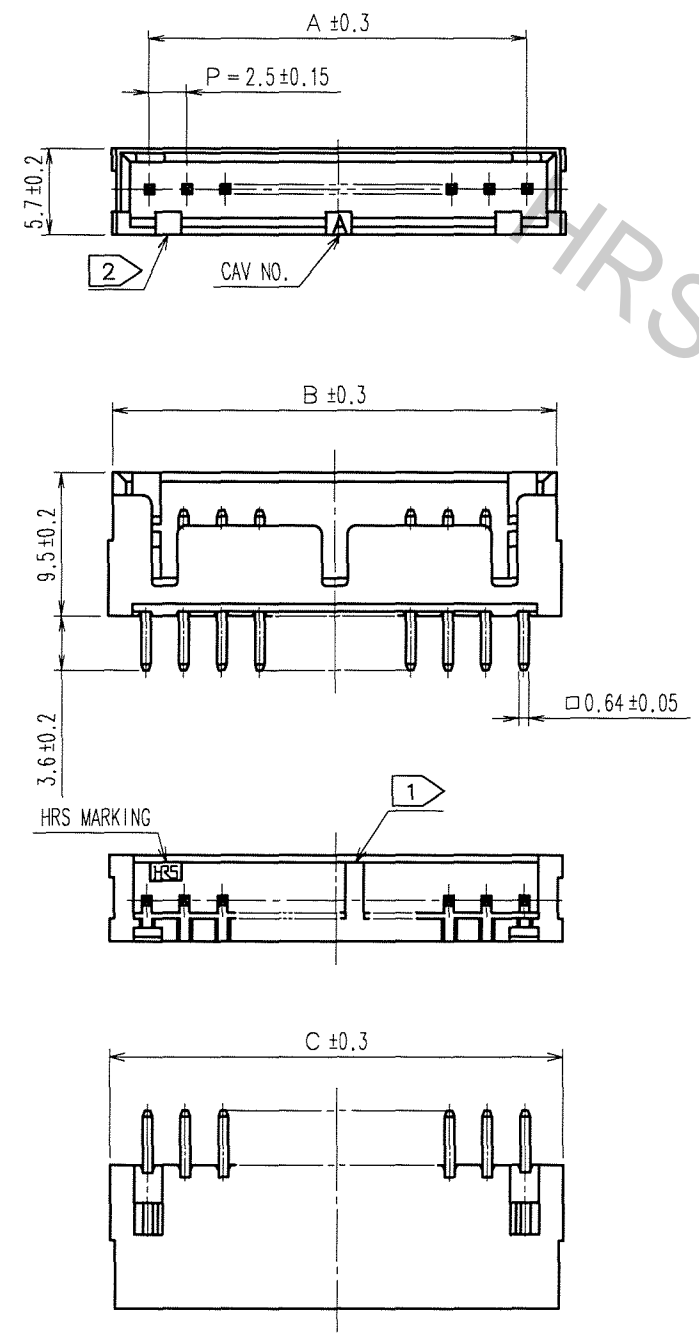
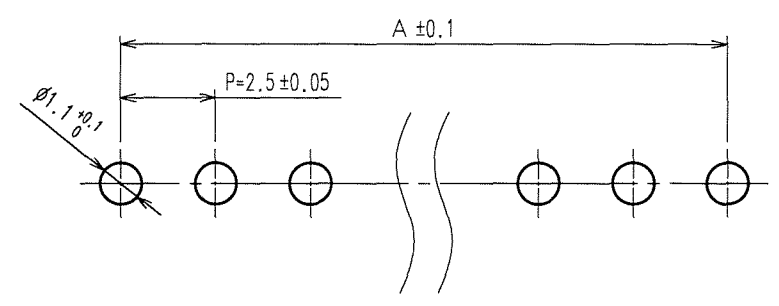


Apr.1.2017 Copyright 2017 HIROSE ELECTRIC CO., LTD. All Rights Reserved.

| COUNT | DESCRIPTION OF REVISIONS | BY | CHKD | DATE | COUNT | DESCRIPTION OF REVISIONS | BY | CHKD | DATE |
|-------|--------------------------|----|------|------|-------|--------------------------|----|------|------|
| △ | | | | .. | △ | | | | .. |
| △ | | | | .. | △ | | | | .. |
| △ | | | | .. | △ | | | | .. |



RECOMMENDED PATTERN(5:1)



| PART NO. | CODE NO. | CONTACT NO. | A | B | C |
|---------------------|-----------------|-------------|------|------|------|
| DF1B- 2P-2.5DSA(01) | CL541-0225-7-01 | 2 | 2.5 | 6.9 | 7.5 |
| DF1B- 3P-2.5DSA(01) | CL541-0226-0-01 | 3 | 5.0 | 9.4 | 10.0 |
| DF1B- 4P-2.5DSA(01) | CL541-0227-2-01 | 4 | 7.5 | 11.9 | 12.5 |
| DF1B- 5P-2.5DSA(01) | CL541-0228-5-01 | 5 | 10.0 | 14.4 | 15.0 |
| DF1B- 6P-2.5DSA(01) | CL541-0229-8-01 | 6 | 12.5 | 16.9 | 17.5 |
| DF1B- 7P-2.5DSA(01) | CL541-0230-7-01 | 7 | 15.0 | 19.4 | 20.0 |
| DF1B- 8P-2.5DSA(01) | CL541-0231-0-01 | 8 | 17.5 | 21.9 | 22.5 |
| DF1B- 9P-2.5DSA(01) | CL541-0232-2-01 | 9 | 20.0 | 24.4 | 25.0 |
| DF1B-10P-2.5DSA(01) | CL541-0233-5-01 | 10 | 22.5 | 26.9 | 27.5 |
| DF1B-11P-2.5DSA(01) | CL541-0234-8-01 | 11 | 25.0 | 29.4 | 30.0 |
| DF1B-12P-2.5DSA(01) | CL541-0235-0-01 | 12 | 27.5 | 31.9 | 32.5 |
| DF1B-13P-2.5DSA(01) | CL541-0236-3-01 | 13 | 30.0 | 34.4 | 35.0 |
| DF1B-14P-2.5DSA(01) | CL541-0237-6-01 | 14 | 32.5 | 36.9 | 37.5 |
| DF1B-15P-2.5DSA(01) | CL541-0238-9-01 | 15 | 35.0 | 39.4 | 40.0 |
| DF1B-16P-2.5DSA(01) | CL541-0239-1-01 | 16 | 37.5 | 41.9 | 42.5 |
| DF1B-18P-2.5DSA(01) | CL541-0240-0-01 | 18 | 42.5 | 46.9 | 47.5 |
| DF1B-20P-2.5DSA(01) | CL541-0241-3-01 | 20 | 47.5 | 51.9 | 52.5 |

NOTES ①: WHEN THE NUMBERS OF CONTACTS IS ODD.
THE STAND-OFF SHIFTS 1.25 RIGHTWARD.
(STAND-OFF AVAILABLE FROM 4 POSITIONS UP.)
②: 2 POSITIONS AND 3 POSITIONS HEADERS HAVE 1 POLARIZING SLOT AT CENTER.
TO 6 POSITIONS FROM 4 POSITIONS HAVE 2 POLARIZING SLOTS.
OTHER POSITIONS HAVE 3 POLARIZING SLOTS AS PER DRAWING.

| |
|----|
| TO |
| |
| |
| |
| |

| | | | | | |
|----------------|-----------|--------------------------|------------------------------|------------|--|
| 1 | POLYAMIDE | UL94V-0, NATURAL (WHITE) | 2 | BRASS | SURFACE: GOLD PLATED 0.2μm min UNDER PLATING: NICKEL PLATED 1μm min |
| NO. | MATERIAL | FINISH, REMARKS | NO. | MATERIAL | FINISH, REMARKS |
| CODE NO. (OLD) | | | DRAWN | DESIGNED | CHECKED |
| | | | A.Miura | A.Miyazaki | H. Imehara |
| | | | '06.08.05 | '06.08.05 | '06.08.05 |
| | | | APPROVED | RELEASED | |
| | | | J. Oma | | |
| | | | '06.08.05 | | |
| DRAWING NO. | | | PART NO. | | |
| EDC3-071798-03 | | | DF1B-*P-2.5DSA(01) | | |
| SCALE | | | CODE NO. | | |
| 5 : 1 | | | CL541- | | |
| UNITS | | | 1/1 | | |
| mm | | | HRS HIROSE ELECTRIC CO., LTD | | |