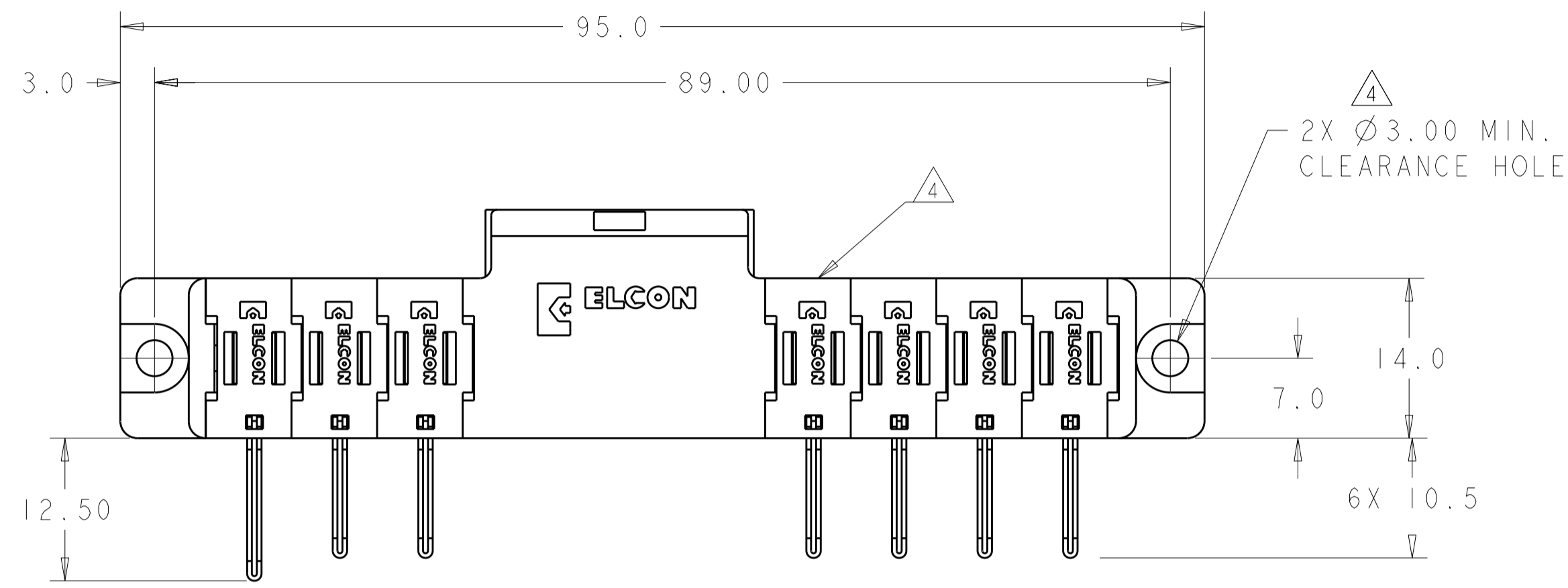


THIS DRAWING IS UNPUBLISHED. RELEASED FOR PUBLICATION 20  
 © COPYRIGHT 20 BY TYCO ELECTRONICS CORPORATION. ALL RIGHTS RESERVED.

LOC		DIST		REVISIONS			
P	LTR	DESCRIPTION	DATE	DWN	APVD		
GP	00	A	RELEASED	23NOV2009	RG	MS	



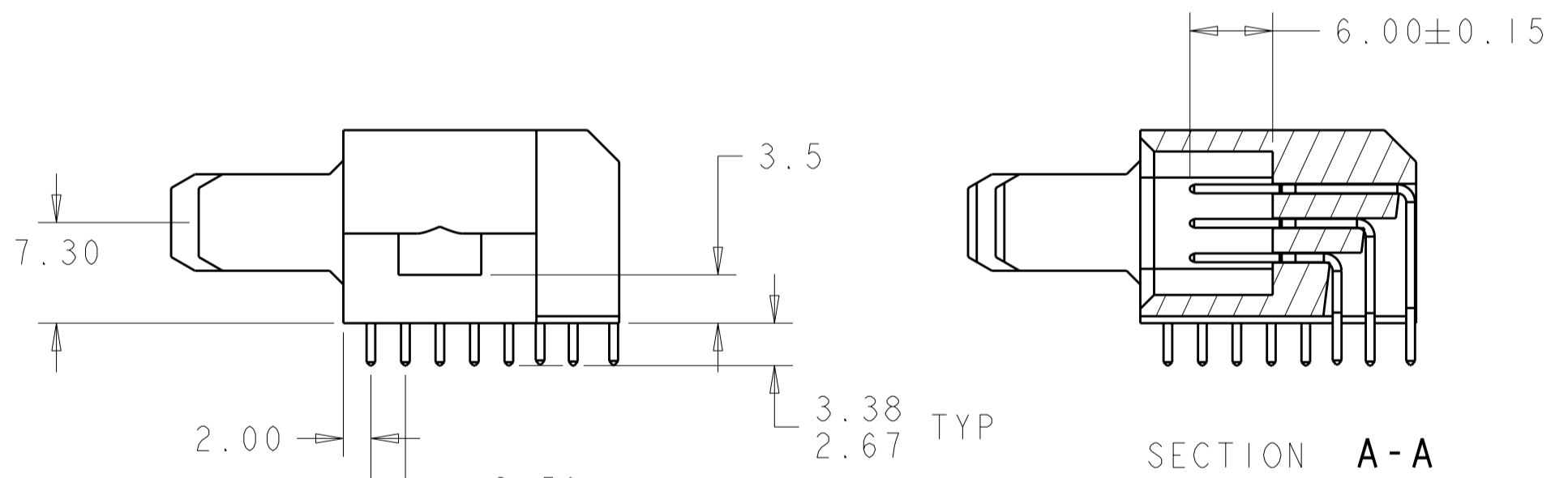
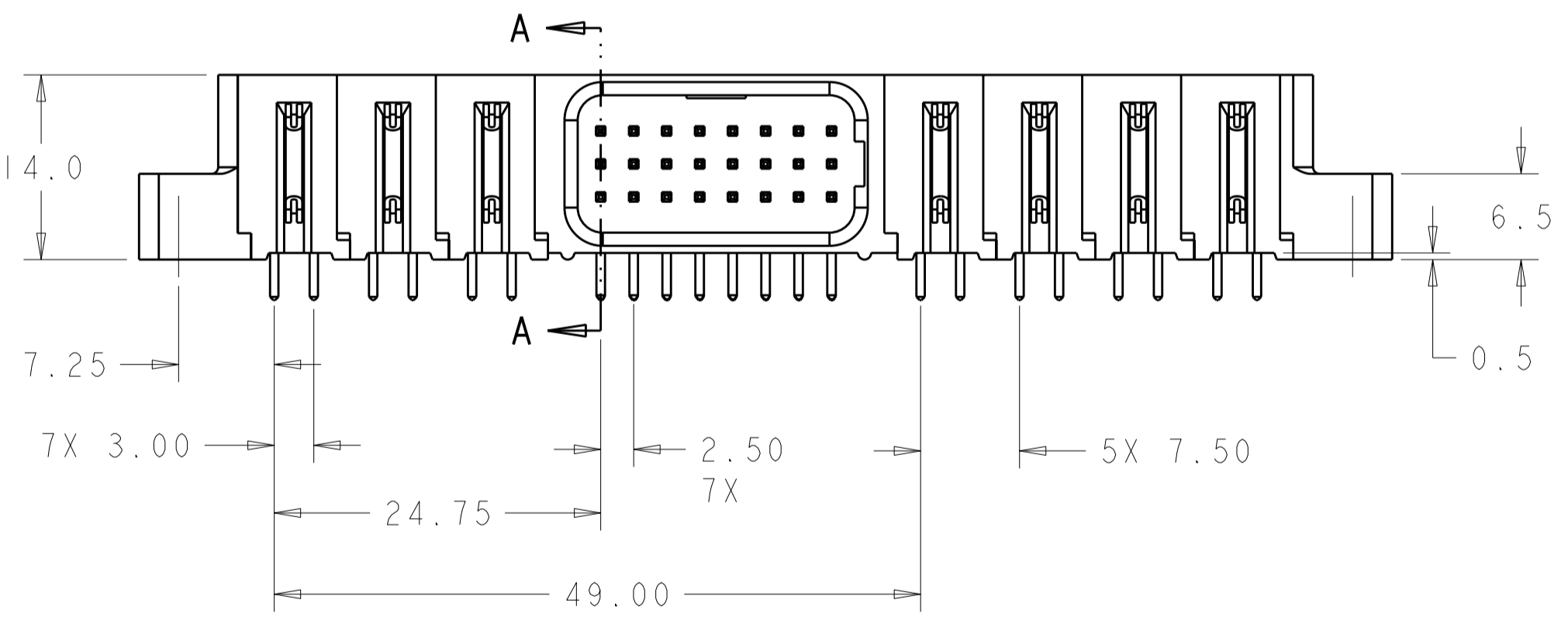
△ MATERIAL:  
 INSULATORS - THERMOPLASTIC, GLASS REINFORCED, COLOR: BLACK  
 UL94V-0 FLAMMABILITY RATED.  
 POWER CONTACTS - PHOSPHOR BRONZE ALLOY,  
 COPPER ALLOY  
 SIGNAL CONTACTS - BRASS ALLOY

△ FINISH:  
 CONTACTS - GOLD PLATE 0.76µm MIN. THK. OVER NICKEL 1.27µm MIN. THK. SOLDER TAILS, SOLDER TAILS - TIN 3.05µm MIN. THK. OVER 1.27µm MIN. THK. NICKEL.

△ ITEMS PROVIDED TO THIS SPECIFICATION TO BE PERMANENTLY IDENTIFIED PER THE FOLLOWING IDENTIFIER LABEL

YEAR WEEK  
 TYCO ELECTRONICS P/N DATE CODE (e.g. 0106)  
 XXXXXXXX-X XXXX

△ MOUNTING FLANGES ACCEPT M3 OR NO.4 SCREWS, (USER SUPPLIED)

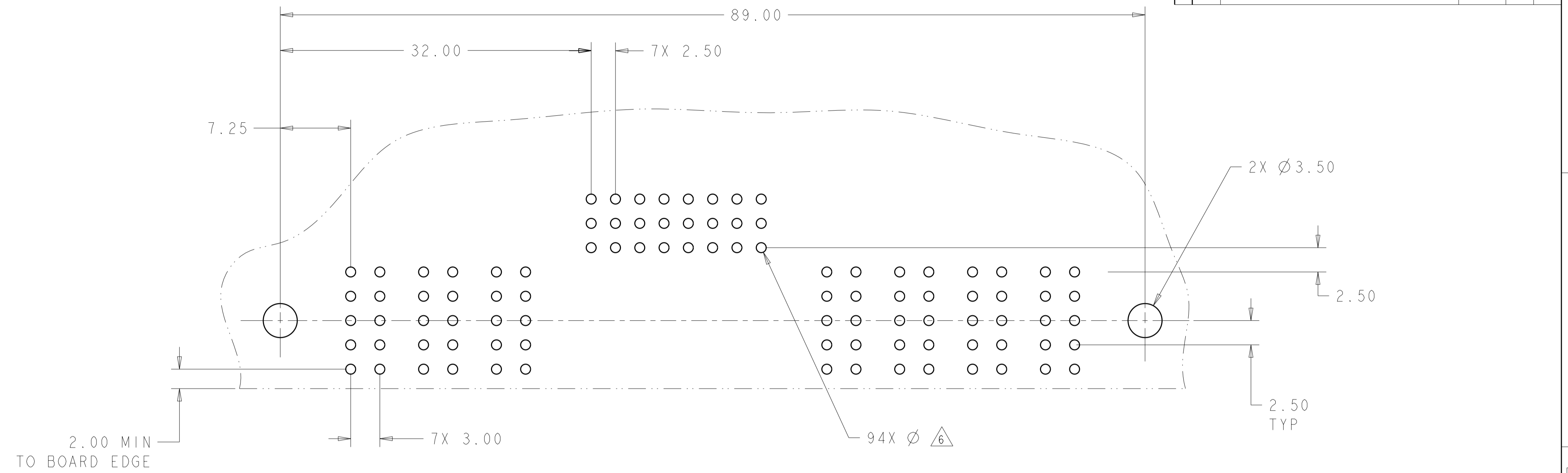


AS SHOWN	6646834-1
DESCRIPTION	PART NUMBER

THIS DRAWING IS A CONTROLLED DOCUMENT FOR TYCO ELECTRONICS CORPORATION. IT IS SUBJECT TO CHANGE AND THE CONTROLLING ENGINEERING ORGANIZATION SHOULD BE CONTACTED FOR THE LATEST REVISION.		DWN R. GRZYBOWSKI 21OCT09	tyco Tyco Electronics Harrisburg, PA 17105-3608	
DIMENSIONS: mm [INCHES]		CHK M. PERCHERKE 21OCT09	NAME CONNECTOR, PIN, RIGHT ANGLE STANDARD, SOLDER TAILS FLATPAQ	
TOLERANCES UNLESS OTHERWISE SPECIFIED:		APVD M. PERCHERKE 21OCT09	SIZE CAGE CODE DRAWING NO RESTRICTED TO	
0 PLC ±	1 PLC ±0.50	PRODUCT SPEC -	A200779C-6646834	
2 PLC ±.25	3 PLC ±	APPLICATION SPEC -	SCALE 3:1 SHEET 1 OF 3 REV A	
4 PLC ±	ANGLES ±.5	WEIGHT -		
FINISH		CUSTOMER DRAWING		

THIS DRAWING IS UNPUBLISHED. RELEASED FOR PUBLICATION 20  
 © COPYRIGHT 20 BY TYCO ELECTRONICS CORPORATION. ALL RIGHTS RESERVED.

LOC	DIST	REVISIONS			
P	LTR	DESCRIPTION	DATE	DWN	APVD
GP	00	-	SEE SHEET 1	-	-



PRINTED CIRCUIT LAYOUT  
 COMPONENT SIDE

CONNECTOR	CATALOG MODULE #	QTY	SIZE NO.	CONTACT QTY	MATING PIN	MAX. CURRENT (PER CONTACT)	CONTACT SPACING	VOLTAGE RATING
PIN	FP106	1	8	1	1.25 X 7.00	35 amps	7.50	250
	FP105	6	8	6	1.25 X 7.00	35 amps	7.50	250
	FP302	1	22	24	.64 SQ.	3 amps	2.50	125
	FP0500	1	LEFT MOUNTING FLANGE					
	FP0501	1	RIGHT MOUNTING FLANGE					

THIS DRAWING IS A CONTROLLED DOCUMENT FOR TYCO ELECTRONICS CORPORATION. IT IS SUBJECT TO CHANGE AND THE CONTROLLING ENGINEERING ORGANIZATION SHOULD BE CONTACTED FOR THE LATEST REVISION.

DWN: R. GRZYBOWSKI 21OCT09  
 CHK: M. PERCHERKE 21OCT09  
 APVD: M. PERCHERKE 21OCT09

**tyco** Tyco Electronics  
 Harrisburg, PA 17105-3608

NAME: CONNECTOR, PIN, RIGHT ANGLE STANDARD, SOLDER TAILS FLATPAQ

SIZE: A2 CAGE CODE: 00779 DRAWING NO: 6646834 RESTRICTED TO: -

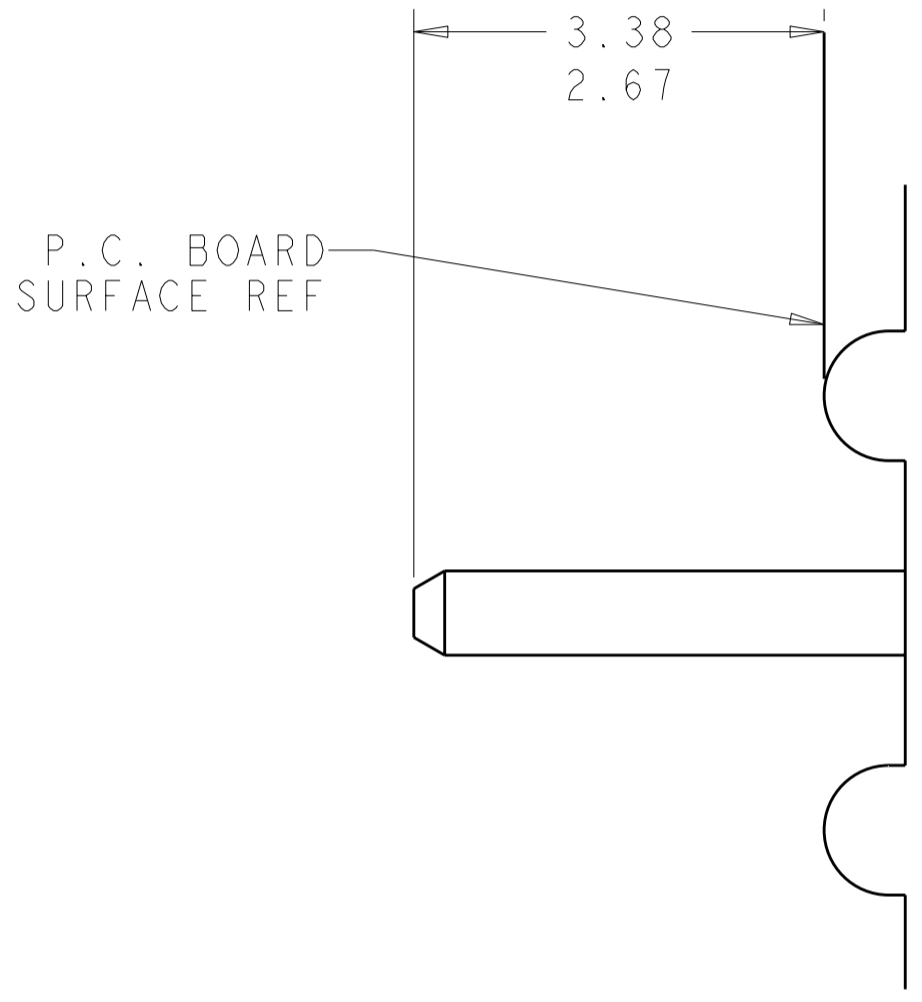
MATERIAL: - DIMENSIONS: mm [INCHES] TOLERANCES UNLESS OTHERWISE SPECIFIED: 0 PLC ±.050, 1 PLC ±.25, 2 PLC ±.25, 3 PLC ±.25, 4 PLC ±.25, ANGLES ±.5, FINISH: -

PRODUCT SPEC: - APPLICATION SPEC: - WEIGHT: -

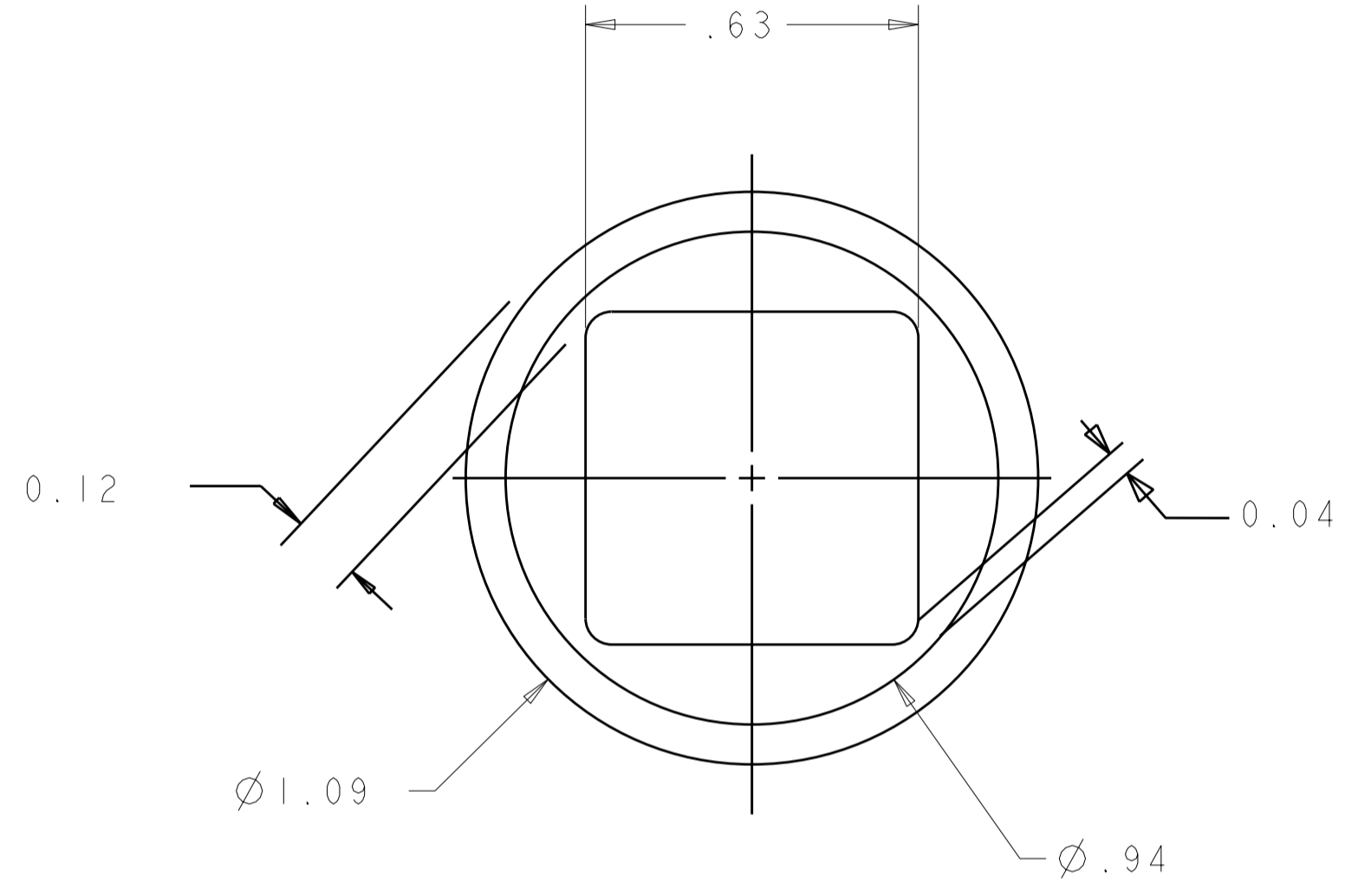
CUSTOMER DRAWING SCALE: 3:1 SHEET: 2 OF 3 REV: A

THIS DRAWING IS UNPUBLISHED. RELEASED FOR PUBLICATION 20  
 © COPYRIGHT 20 BY TYCO ELECTRONICS CORPORATION. ALL RIGHTS RESERVED.

LOC	DIST	REVISIONS			
P	LTR	DESCRIPTION	DATE	DWN	APVD
GP	00	-	SEE SHEET 1	-	-



5. SOLDER TAIL DETAIL  
SCALE 10 : 1



△ SOLDER TERMINATION AREA  
 SCALE 40:1  
 RECOMMENDED PRINTED CIRCUIT HOLE  
 SOLDER HOLE  
 FINISHED HOLE: Ø1.02 ±.008  
 DRILLED HOLE: Ø1.15 ±.013  
 COPPER PLATE: .025 MIN  
 TIN PLATE: .008 MIN. (PER SURFACE)

THIS DRAWING IS A CONTROLLED DOCUMENT FOR TYCO ELECTRONICS CORPORATION IT IS SUBJECT TO CHANGE AND THE CONTROLLING ENGINEERING ORGANIZATION SHOULD BE CONTACTED FOR THE LATEST REVISION.		DWN R. GRZYBOWSKI 21OCT09	Tyco Electronics Harrisburg, PA 17105-3608	
DIMENSIONS: mm [ INCHES ]		CHK M. PERCHERKE 21OCT09	NAME CONNECTOR, PIN, RIGHT ANGLE STANDARD, SOLDER TAILS FLATPAQ	
TOLERANCES UNLESS OTHERWISE SPECIFIED:		APVD M. PERCHERKE 21OCT09	SIZE A200779	CAGE CODE C-6646834
0 PLC ±-	1 PLC ±0.50	PRODUCT SPEC -	DRAWING NO -	RESTRICTED TO -
2 PLC ±.25	3 PLC ±-	APPLICATION SPEC -	SCALE 3:1	SHEET 3 OF 3
4 PLC ±-	ANGLES ±.5	WEIGHT -	CUSTOMER DRAWING	REV A
MATERIAL -	FINISH -			