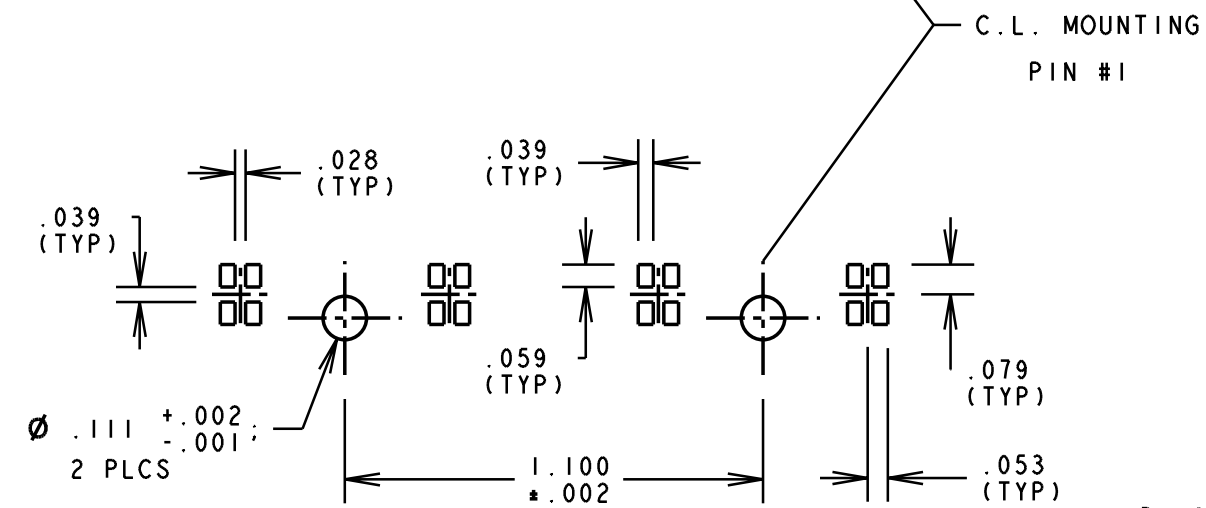
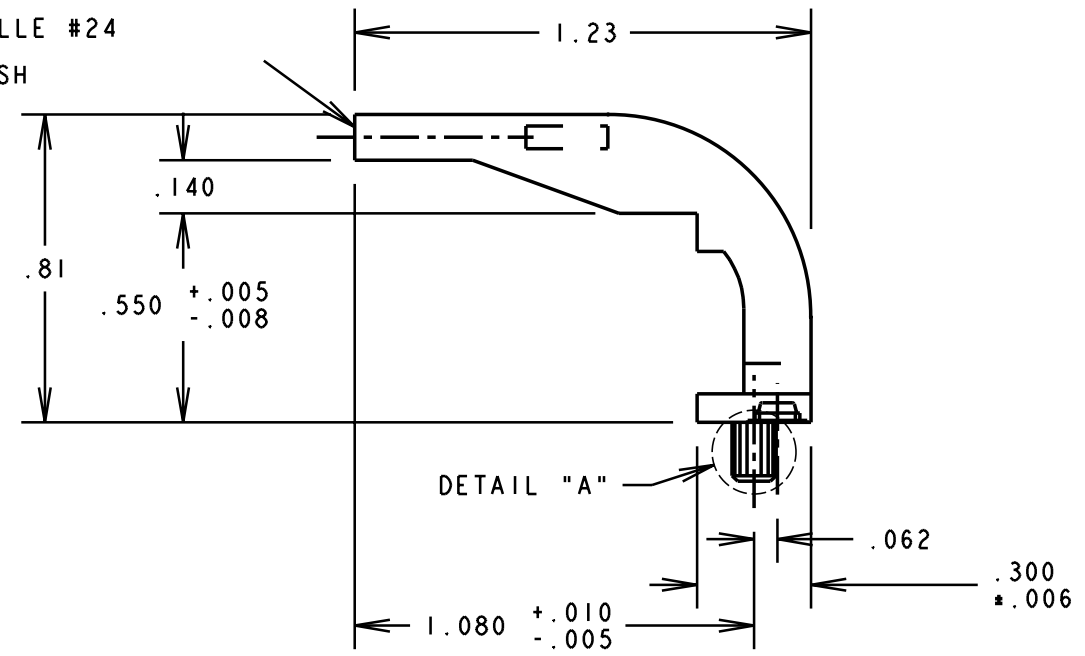
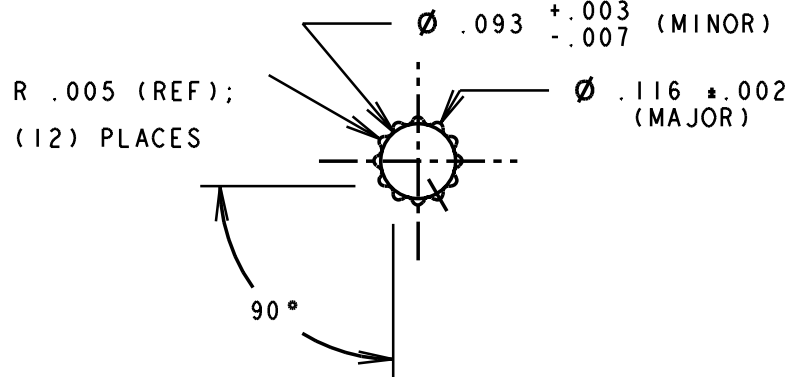
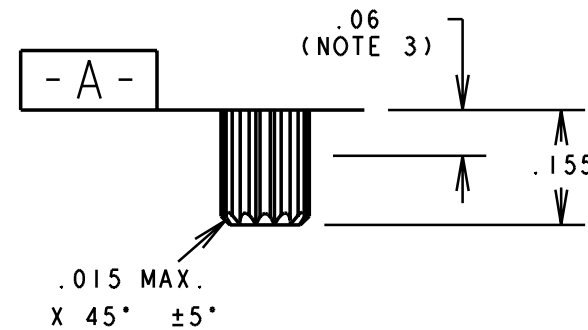


CHARMILLE #24  
FINISH



RECOMMENDED SOLDER PAD &  
MOUNTING PIN HOLES LAYOUT



DETAIL "A"

NOTES:

1. COMPONENT TO BE MOLDED IN A WATER CLEAR TRANSMISSIVE POLYCARBONATE.
2. RECOMMENDED PLACEMENT OF LED.
3.  $\varnothing .116 \pm .002$  TO BE MAINTAINED FROM SURFACE -A- TO .06. MEASURED AT HIGHEST SERRATION.

LTR	ECN NO.	REVISIONS	DRN.	APP.	DATE
J		$\varnothing .116 \pm .002$ WAS $\varnothing .116 / .113$ .	M.C.		
I		ADDED NOTE 3, .060 (NOTE 3), & 1.100 ±.002, AND $\varnothing .116 / .113$ WAS $\varnothing .116 \pm .0010 / -.0013$ .	M.C.	L.R.	7-11-96
H		.550 ±.005-.008 WAS .550 ±.005.	M.C.	D.C.	10-6-95
G		IN DETAIL "A" $\varnothing .116 \pm .001$ WAS $\varnothing .116 \pm .001$ .	M.C.	N.O.	9-9-94
F		$\varnothing .113 \pm .001$ WAS $\varnothing .115 \pm .000$ -.002.	M.C.	M.C.	3-7-94
E		1.080 ±.010-.005 WAS 1.05 & 1.23 WAS 1.20.	M.C.	M.C.	3-1-94
D		.81 WAS .810.	M.C.	M.C.	2-9-94

THIS DRAWING AND THE CONTENTS HEREIN ARE CONFIDENTIAL AND THE SOLE PROPERTY OF DIALIGHT. REPRODUCTION OF THIS DRAWING OR CONSTRUCTION OF ANY PARTS WITHIN THIS DRAWING ARE FORBIDDEN WITHOUT THE PRIOR WRITTEN CONSENT OF DIALIGHT.

SCALE	DRAWN	DATE	CUSTOMER DRAWING NO.	DWG. REV.
2:1	MC	9-21-93	C-15817	J
TOLERANCES: UNLESS OTHERWISE SPECIFIED ALL DIM'S IN: INCHES (MM)			TITLE LIGHTPIPE ARRAY, RJ45	
FRACTIONS: 1/64 DECIMALS (.XX) ± .01 DECIMALS (.XXX) ± .005 ANGLES ± 1°			PART NUMBER 515-1022	
FINISH:			Dialight	
FSCM 83330			1913 Atlantic Ave. Manasquan, NJ 08736	