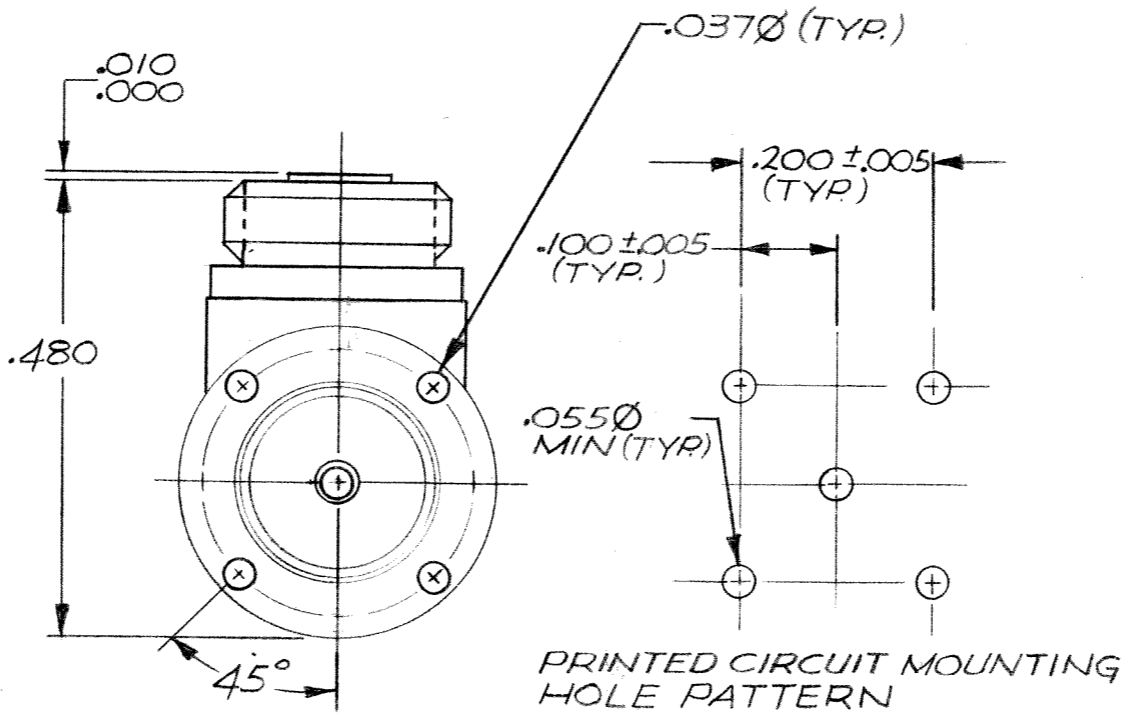
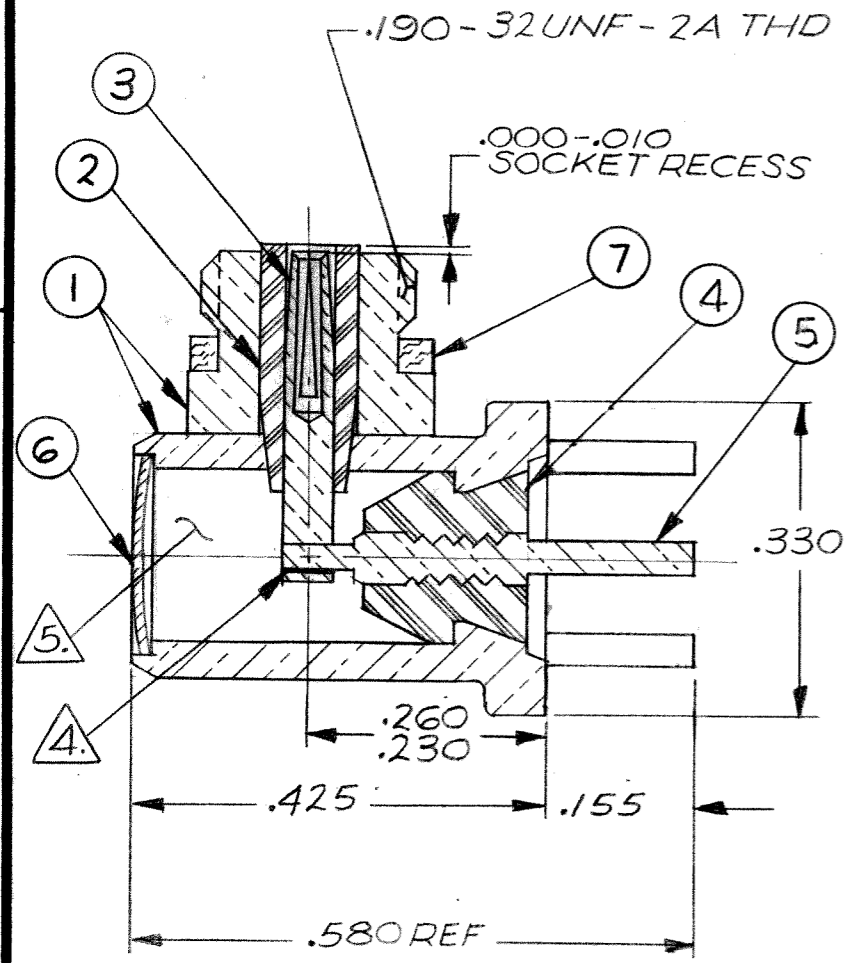


REVISIONS					
ZONE	LTR	ECN	DESCRIPTION	DATE	APPROVED
	L	23619	REVISED & REDRAWN	11-3-78	BAH
	M	36837	ITEM 7, WAS 003-0011-0001	3-11-77	BAH
	N	40141	UPDATE REV. LETTER.	4/19/80	BAH



Tyco Dwg 1467938
Micro P/N 031-0061-0001

ITEM NO.	PART NUMBER	DESCRIPTION	MATERIAL & SPEC.
7	003-0268-0000	GASKET	SILICONE RUBBER, ZZ-R-765
6	003-0098-0001	SEAL DISC	BRASS PER QQ-B-613
5	003-0284-0002	CONTACT, PIN	BRASS PER QQ-B-626
4	003-0365-0001	INSULATOR	TEFLON PER L-P-403
3	003-0285-0002	CONTACT, SOCKET	BERYLLIUM COPPER, QQ-C-530
2	003-0345-0001	INSULATOR	TEFLON PER L-P-403
1	003-0425-0001	HOUSING SUBASSY	BRASS PER QQ-B-626

- NOTES: UNLESS OTHERWISE SPECIFIED
- THIS CONNECTOR MATES WITH ALL S-50 SCREW-ON-SERIES PLUGS AS LISTED IN MALCO CATALOG.
 - SILVER PLATE .0002 MIN. PER QQ-S-365, TYPE II, GRADE A.
 - GOLD PLATE PER MIL-G-45204, TYPE II, GRADE C, CLASS I.
 - PIN CONTACT SOLDERED TO SOCKET CONTACT USING 95 SN, 5 AG.
 - PRIOR TO CAPPING, CAVITY FILLED WITH EPOXY PER MEP 201-03.

PARTS LIST

UNLESS OTHERWISE SPECIFIED DIMENSIONS ARE IN INCHES TOLERANCES ARE: FRACTIONS DECIMALS ANGLES ± .XX ± ± 5° .XXX ± .010		CONTRACT NO.		MALCO A MICRODOT COMPANY, INC. 220 PASADENA AVE., SO. PASADENA, CALIF. 91030	RECEPTACLE, RIGHT ANGLE, PRINTED CIRCUIT PROD. CODE 931 CODE CDM
MATERIAL NOTED		APPROVALS	DATE		
FINISH NOTED		CHECKED C.E.H.	9-26-78		
NEXT ASSY		PR. ENG. E.A.Y.	11-2-78		
USED ON		APPROVED		SIZE B	CODE IDENT NO. 98278
APPLICATION		DO NOT SCALE DRAWING		DRAWING NO. 031-0061-0001	
		These drawings and specifications are the property of Microdot Inc. are issued in strict confidence and shall not be divulged, be reproduced or copied, or used as the basis for the manufacture or sale of any article without written permission of Microdot Inc.		SCALE 5X	SHEET 1 OF 1