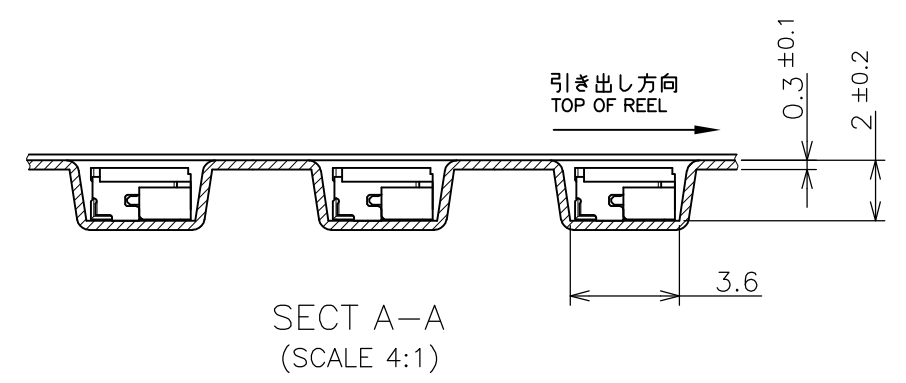
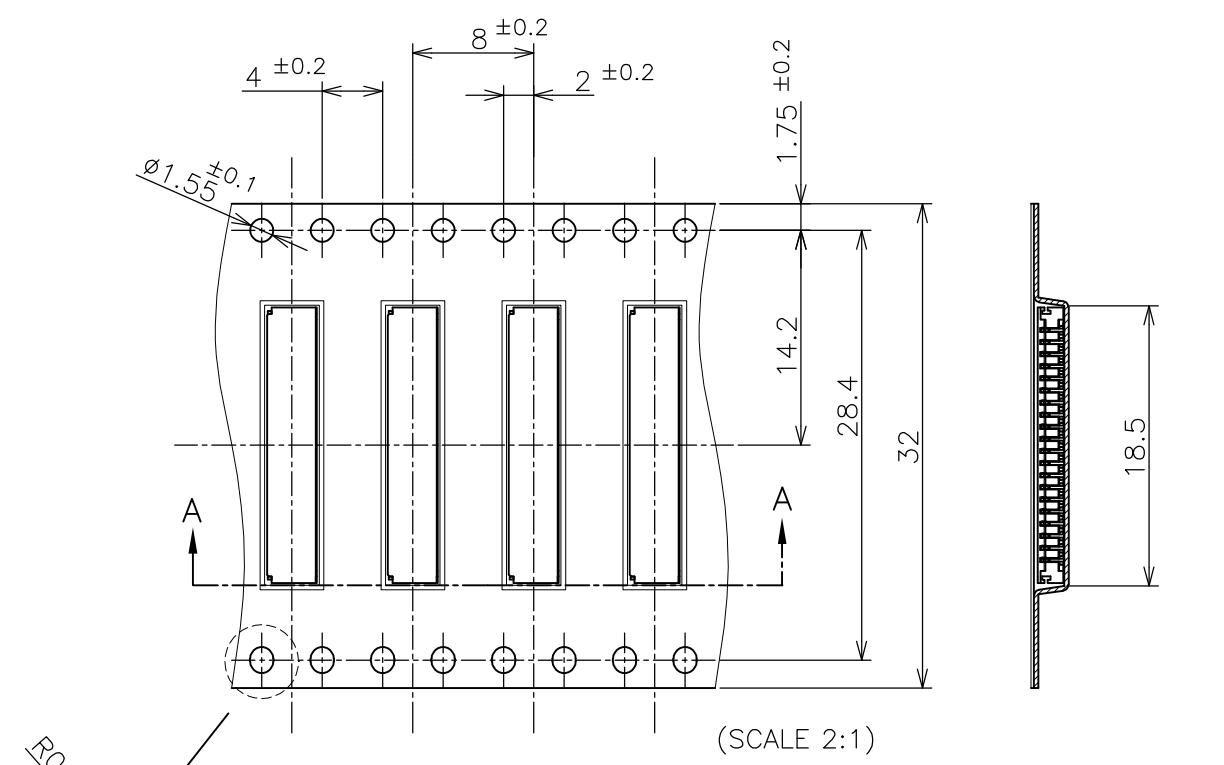
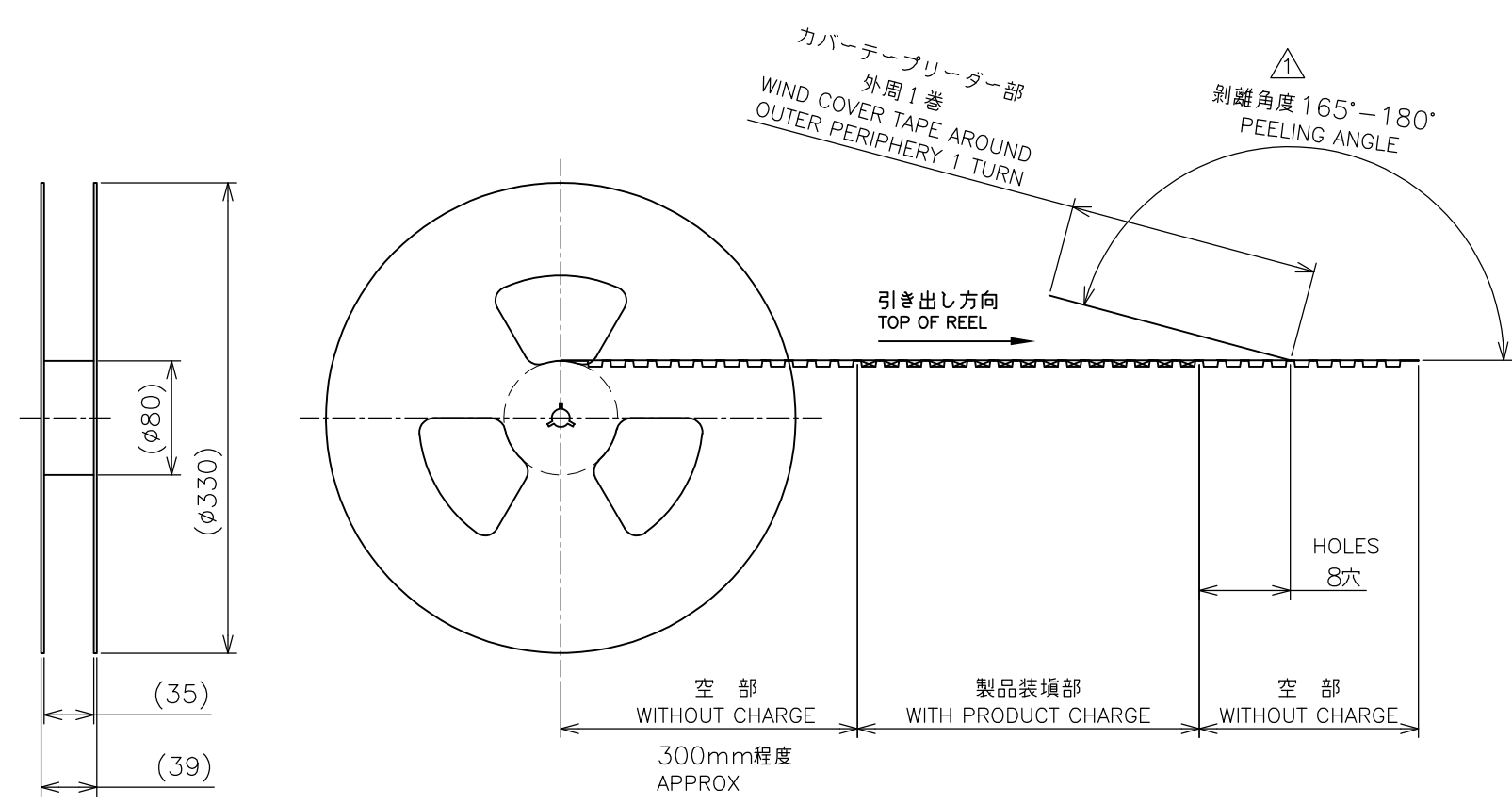


THIS DRAWING IS UNPUBLISHED. RELEASED FOR PUBLICATION
 © COPYRIGHT 2002 BY TYCO ELECTRONICS CORPORATION. ALL RIGHTS RESERVED.

LOC	DIST	REVISIONS			DATE	DWN	APVD
		P	LTR	DESCRIPTION			
J	—	A	RELEASED ECR-08-023459	17SEP08	A.L	S.Y	



注記
 △カバーテープ剥離強度: 1N (102gf) 以下
 剥離角度 165°-180°
 剥離速度 300mm/分

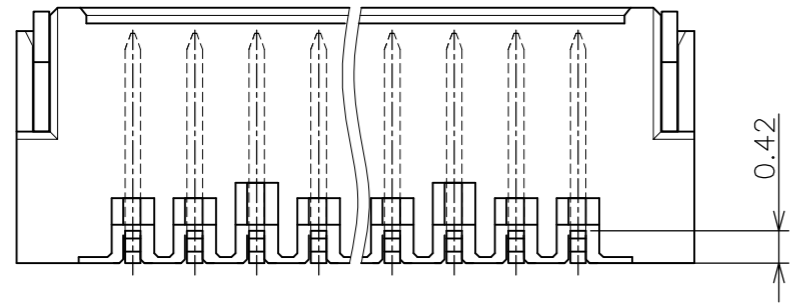
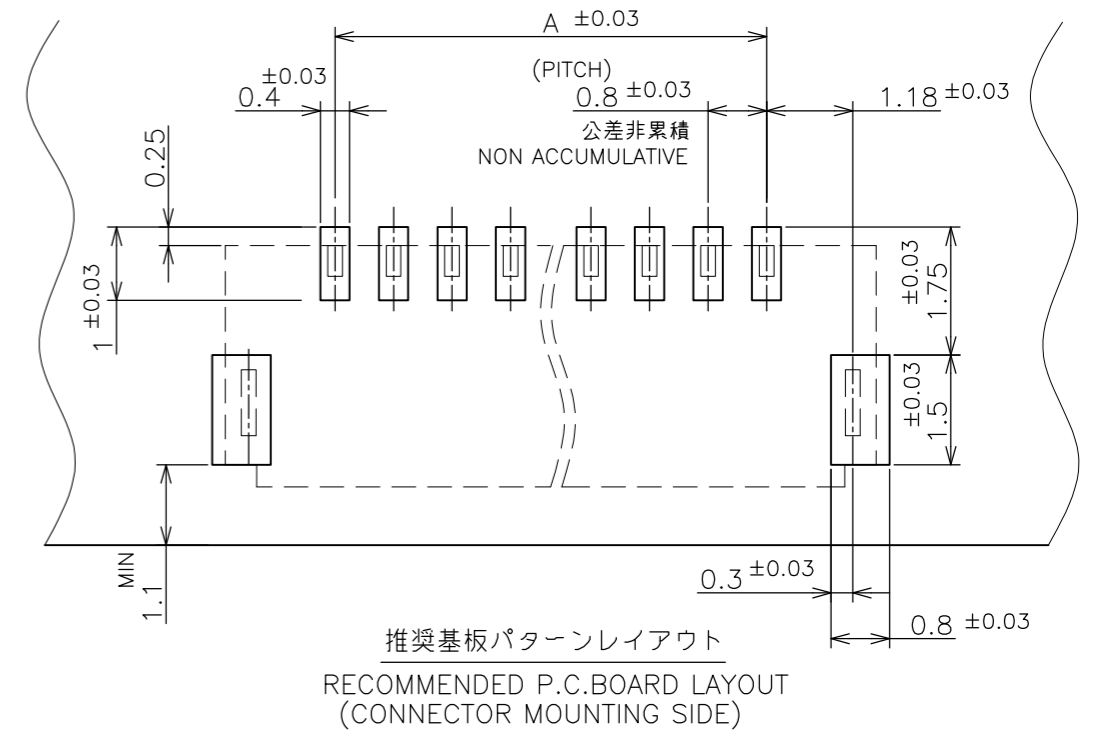
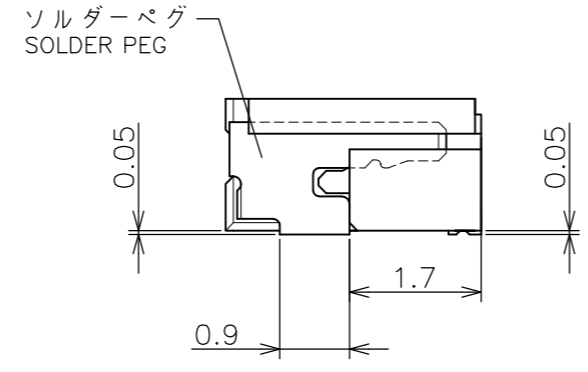
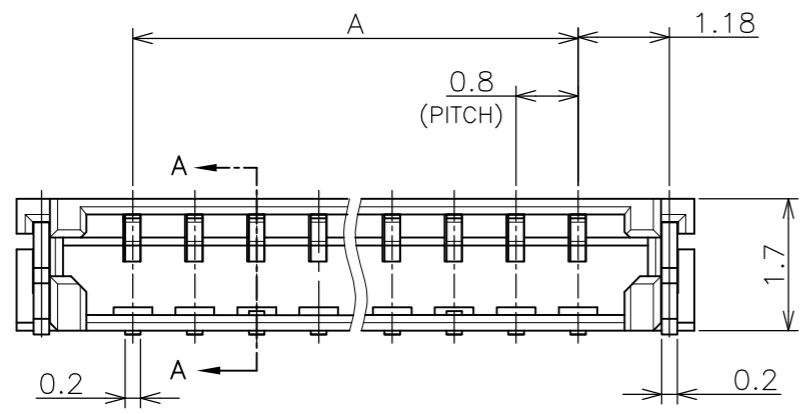
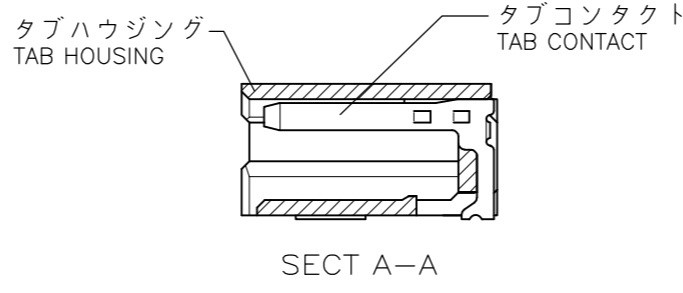
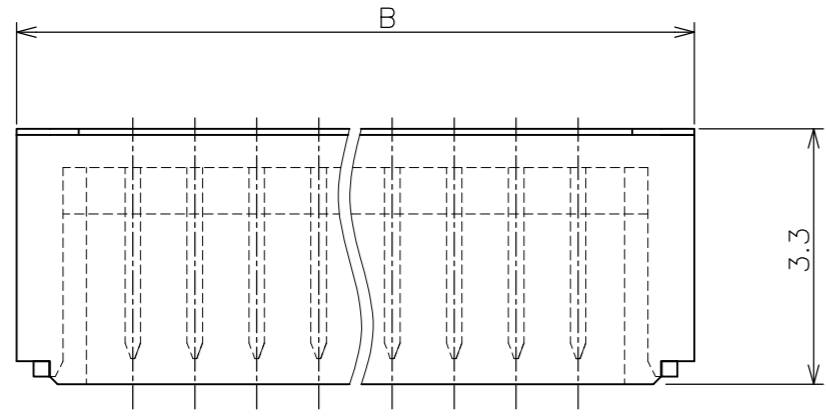
NOTES
 △COVER TAPE PEELING STRENGTH: 1N(102gf)MAX
 PEELING ANGLE: 165°-180°
 PEELING SPEED: 300mm/MINUTE

3500	20	2-1612555-0
QTY/REEL	POS.	ON TAPE P/N

THIS DRAWING IS A CONTROLLED DOCUMENT.		DWN J.TSUJI 07NOV02	Tyco Electronics Tyco Electronics AMP K.K. Kawasaki, Japan	
DIMENSIONS: 単位: 耗 MM		CHK H.MURAMATSU 07NOV02	NAME 名称	
TOLERANCES UNLESS OTHERWISE SPECIFIED: 一般公差		APVD Y.YAMAMOTO 07NOV02	TAB ASSEMBLY (H) SMT-TYPE WITH EMBOSS TAPE PACKAGE	
0-PLC ±		PRODUCT SPEC 製品規格	0.8mm PITCH WIRE TO BOARD MICRO TERMINATION (MT) CONNECTOR	
1-PLC ± ±0.3		APPLICATION SPEC 取付適用規格	SIZE A3	CAGE CODE 00779
2-PLC ± ±0.3		WEIGHT	DRAWING NO 番号 C-1612555	
3-PLC ± ±3'		FINISH 仕上	RESTRICTED TO	
4-PLC ±		MATERIAL 材料	SCALE 尺度 NTS	
ANGLES ±		CUSTOMER DRAWING	SHEET 1 OF 2	
FINISH 仕上		REV A		

THIS DRAWING IS UNPUBLISHED. RELEASED FOR PUBLICATION
 © COPYRIGHT 2002 BY TYCO ELECTRONICS CORPORATION. ALL RIGHTS RESERVED.

LOC	DIST	REVISIONS					
		P	LTR	DESCRIPTION	DATE	DWN	APVD
J				SEE SHEET 1	-	-	-



NOTES:
 △.MATEERIAL:
 TAB HOUSING:THERMO PLASTIC UL94V-0
 TAB CONTACT:COPPER ALLOY ,Sn PLATING
 SOLDER PEG: COPPER ALLOY ,Sn PLATING

0.11	NATURAL	18.2	15.2	20	2-1612555-0
WEIGHT(g)	COLOR	B	A	POSITION	PART NUMBER

THIS DRAWING IS A CONTROLLED DOCUMENT.		DWN J.TSUJI 07NOV02	Tyco Electronics Tyco Electronics AMP K.K. Kawasaki, Japan		
DIMENSIONS: 単位: 耗 MM		CHK H.MURAMATSU 07NOV02	NAME 名称		
TOLERANCES UNLESS OTHERWISE SPECIFIED: 一般公差		APVD Y.YAMAMOTO 07NOV02	TAB ASSEMBLY (H) SMT-TYPE WITH EMBOSS TAPE PACKAGE		
0 PLC ±		PRODUCT SPEC 製品規格 108-5830	RESTRICTED TO		
1 PLC ±		APPLICATION SPEC 取付適用規格	SIZE A3	CAGE CODE 00779	DRAWING NO 番号 1612555
2 PLC ±		WEIGHT	SCALE 尺度 NTS SHEET 2 OF 2 REV A		
3 PLC ±		CUSTOMER DRAWING			
4 PLC ±					
ANGLES ±					
MATERIAL 材料 △					
FINISH 仕上 △					